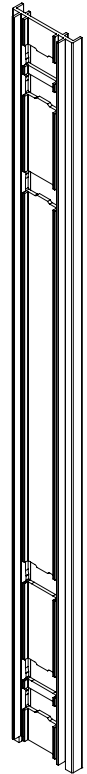


Instructions for two-piece Rapid Rail or two-piece Aluminum Contemporary Brackets.

There are two methods of installation. Before the posts have been installed, or after the posts and post trim has been installed.

Contents

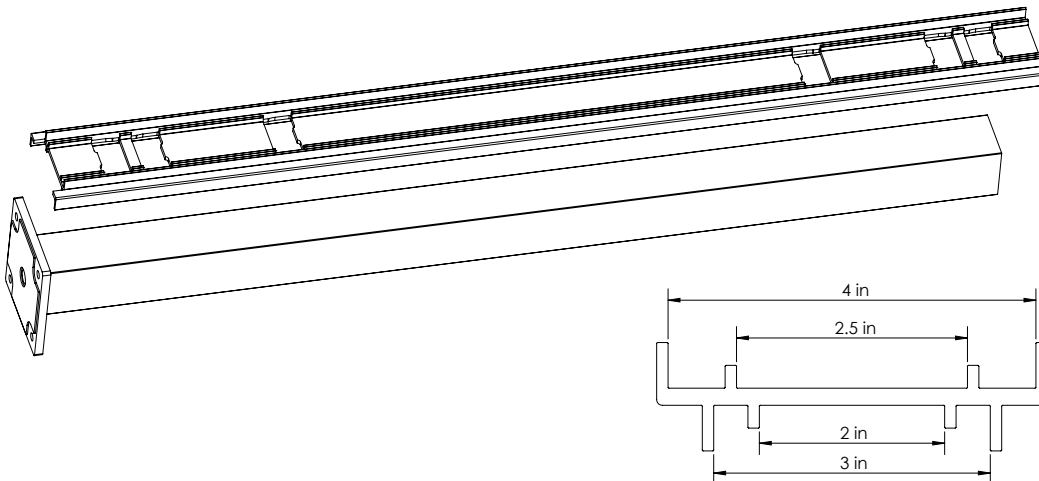
- (1) Bracket Alignment Template



Installation Method 1 - Before posts have been installed

Step 1

- Set post onto worktable with desired side face up.
- Lay the appropriate side of the Bracket Alignment Template (BAT) on the post.
- The BAT has channels sized for 2", 2.5", 3" and 4" posts.



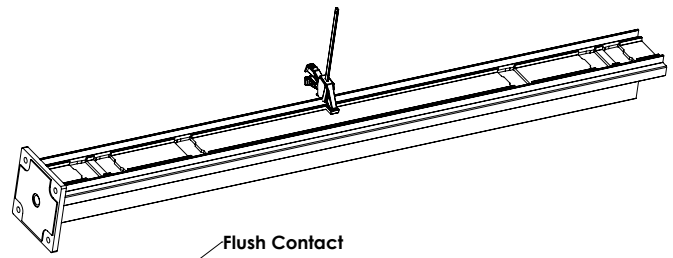
Step 2

- Ensure the correct end of the BAT is toward the top of the post. If the post does not have a post skirt installed, make sure the end labeled “THIS END UP IF POST SKIRT IS NOT INSTALLED” is toward the top of the post.
- Ensure the BAT is pushed against the flange on the bottom of the post.
- Temporarily attach the BAT to the post using a bar clamp.

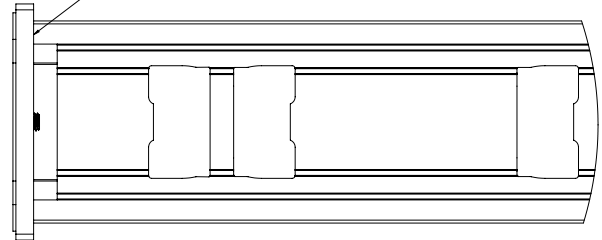
ORIENTATION DIRECTION:



THIS END UP IF POST SKIRT
IS NOT INSTALLED

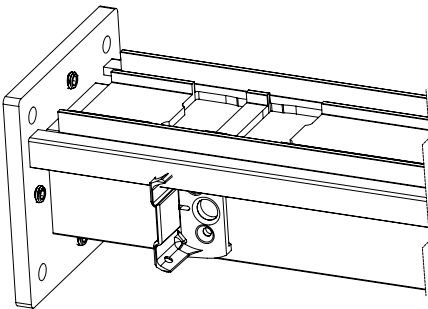


Flush Contact



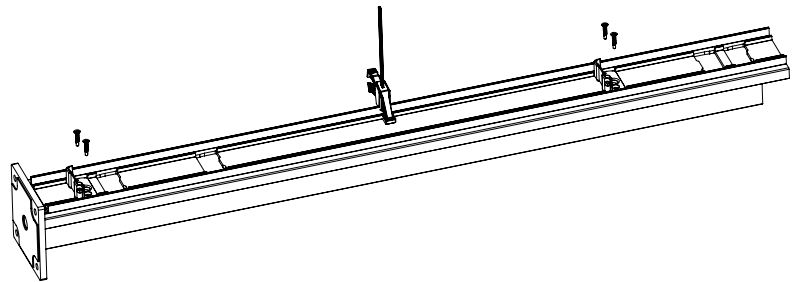
Step 3

- NOTE: For corner posts, you must pre drill the holes on both sides BEFORE installing the rail brackets. Having a bracket installed on one side will prevent the guide template from laying flush against the post.



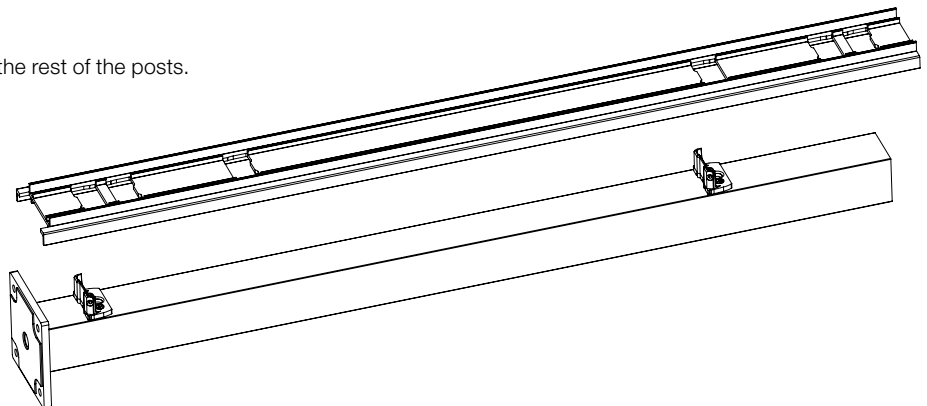
Step 4

- Attach the bottom bracket to the post using the screws provided in your Rail Kit.
- Note: Make sure you are using the correct cutout for your orientation. The other cutouts will mount the bracket upside down.
- Attach the top bracket to the post using the marked 36” cutout for a 36” kit or the marked 42” cutout for a 42” kit.



Step 5

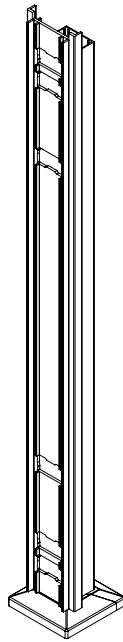
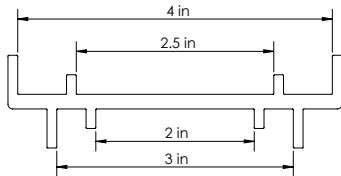
- Remove the template from the post and repeat for the rest of the posts.



Installation Method 2 - After posts have been installed

Step 1

- Set the appropriate side of the Bracket Alignment Template (BAT) on the desired post face.
- The BAT has channels sized for 2", 2.5", 3" and 4" posts.



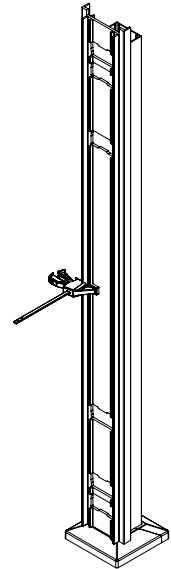
Step 2

- Ensure the correct end of the BAT is toward the top of the post. If the post has a post skirt installed, make sure the end labeled "THIS END UP IF POST SKIRT IS INSTALLED" is toward the top of the post.
- **NOTE: This template is designed for a Deckorators Post Skirt. The brackets may be misaligned if not used with a Deckorators Post Skirt.**
- Ensure the BAT is pushed against the skirt on the bottom of the post.
- Temporarily attach the BAT to the post using a bar clamp.

ORIENTATION DIRECTION:

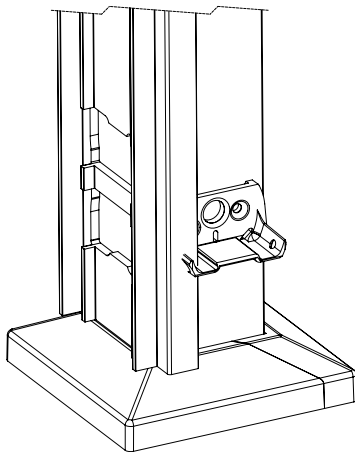


THIS END UP IF POST SKIRT IS INSTALLED



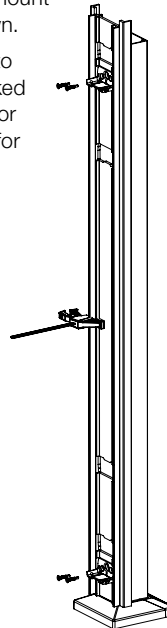
Step 3

- **NOTE: For corner posts, you must pre drill the holes on both sides BEFORE installing the rail brackets. Having a bracket installed on one side will prevent the guide template from laying flush against the post.**



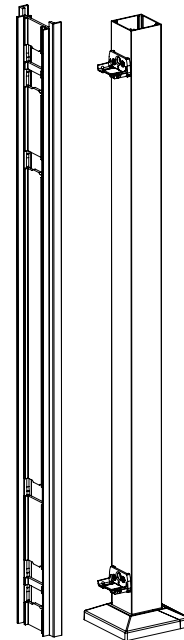
Step 4

- Attach the bottom bracket to the post using the screws provided in your Rail Kit.
- Note: Make sure you are using the correct cutout for your orientation. The other cutouts will mount the bracket upside down.
- Attach the top bracket to the post using the marked 36" cutout for a 36" kit or the marked 42" cutout for a 42" kit.



Step 5

- Remove the template from the post and repeat for the rest of the posts.



THE DIAGRAMS AND INSTRUCTIONS IN THIS BROCHURE ARE FOR ILLUSTRATION PURPOSES ONLY AND ARE NOT MEANT TO REPLACE A LICENSED PROFESSIONAL. ANY CONSTRUCTION OR USE OF THE PRODUCT MUST BE IN ACCORDANCE WITH ALL LOCAL ZONING AND/OR BUILDING CODES. THE CONSUMER ASSUMES ALL RISKS AND LIABILITY ASSOCIATED WITH THE CONSTRUCTION OR USE OF THIS PRODUCT. THE CONSUMER OR CONTRACTOR SHOULD TAKE ALL NECESSARY STEPS TO ENSURE THE SAFETY OF EVERYONE INVOLVED IN THE PROJECT, INCLUDING, BUT NOT LIMITED TO, WEARING THE APPROPRIATE SAFETY EQUIPMENT. EXCEPT AS CONTAINED IN THE WRITTEN LIMITED WARRANTY, THE WARRANTOR DOES NOT PROVIDE ANY OTHER WARRANTY, EITHER EXPRESS OR IMPLIED, AND SHALL NOT BE LIABLE FOR ANY DAMAGES, INCLUDING CONSEQUENTIAL DAMAGES.

