

WHAT IS INCLUDED

- A. (2) Horizontal Frame Channel
- B. (2) Vertical Frame Channel
- C. (4) Privacy Screen Brackets
- D. (2) 1/4" – 5/8" Dual Filler Strip 44-3/8"
- E. (6) 1/4" – 5/8" Dual Filler Strip 24"
- F. (2) 1/4"-1/4" H-Connector Strip 44-3/8"
- G. (2) 1/4"-7/8" Connector Strip 44-3/8"
- H. (2) 1/4"-5/8" Connector Strip 44-3/8"
- I. (2) 7/8" Slat Filler Strip 44-3/8"
- J. (24) 7/8" Board Spacer
- K. (24) 5/8" Board Spacer
- L. Hardware Kit
 - 1. (28) #8 x 1/2" Screw
 - 2. (8) #10 x 1" Screw
 - 3. (1) T20 Torx Bit

NOT INCLUDED

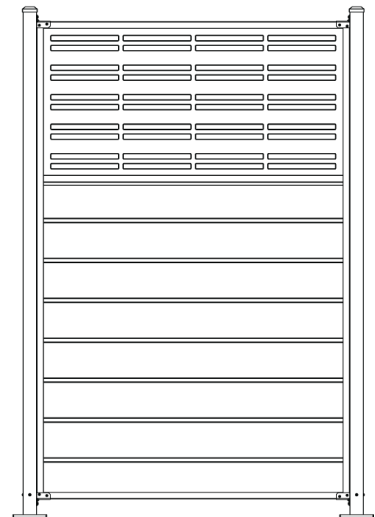
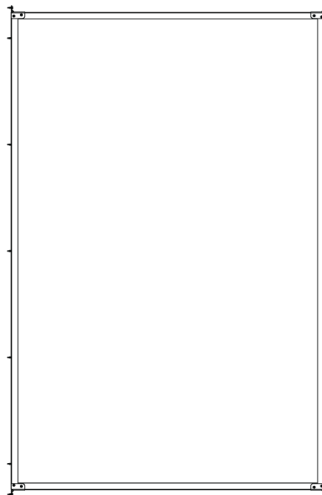
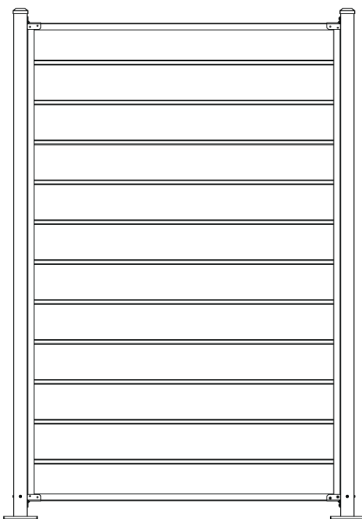
- 1. 2-1/2" x 2-1/2" x 76" Privacy Screen Flanged Post Kit (#544660)
- 2. Privacy Screen Infill Options
 - a. 1/4" Privacy Panels (#544664, #544665, #544666, #544667)
 - b. 5/8" (4-Pack) Slats (#544656, #544657, #544658)
 - c. 7/8" Deckorators Full Profile Decking or any 7/8" Thick Material

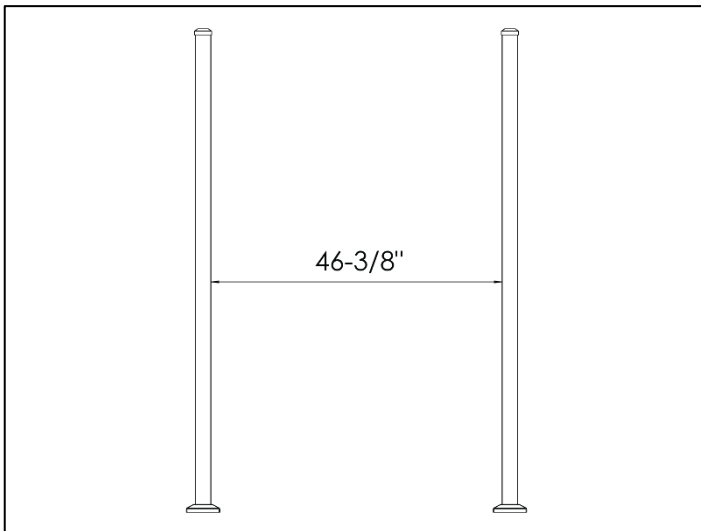
TOOLS AND ITEMS NEEDED

- Drill/power screwdriver
- Tape measure
- Marked speed square
- Level
- Pencil
- Safety glasses/goggles

PRO TIPS

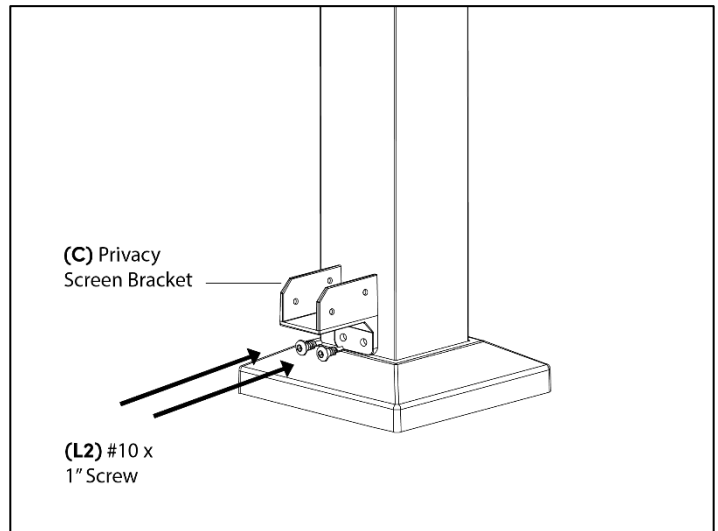
- Layout the infill kits with appropriate filler strips and spacers before installing.
- This kit is designed for a 46-3/8" span between posts.
- Note that your post and mounting method is purchased separately from the Privacy Screen Frame Kit.





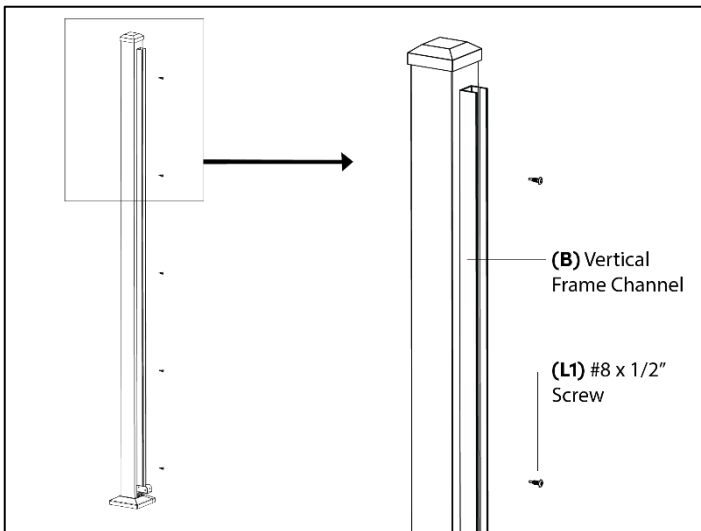
STEP 1 – Option 1: Set Flanged Posts

- Set post bases so that the space between each post face is 46-3/8"
- Ensure that posts are set vertically plumb and parallel to each other.
- Secure posts to mounting surface with proper fasteners for your mounting surface according to the post instructions.
- Repeat for the other post.



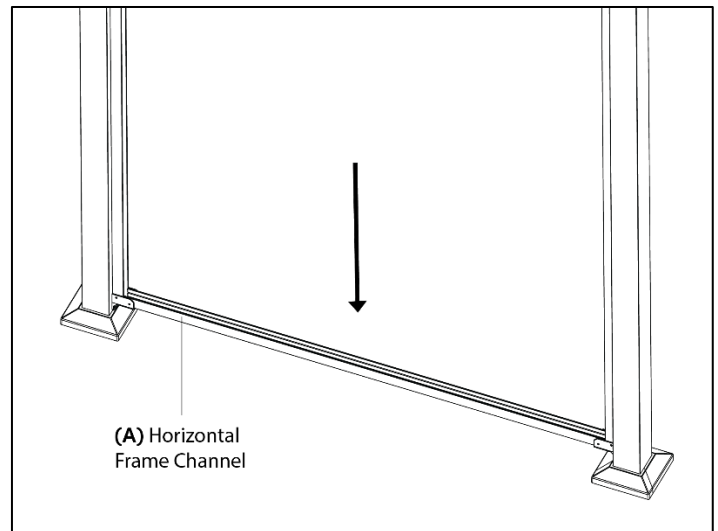
STEP 2 – Attach Lower Brackets

- Set the bottom bracket (C) directly on top of the post skirt and centered on the post. This measurement is 1-1/2" from the bottom of the post if using a post extension kit.
- Making sure the bracket is square and centered, attach using an 1/8" pilot hole and (2) supplied #10 x 1" screws (L-2).
- Repeat for the other post.
- Pro-tip: You can use a chalk line across multiple Privacy Screen kits to ensure the infill kits are level with each other.



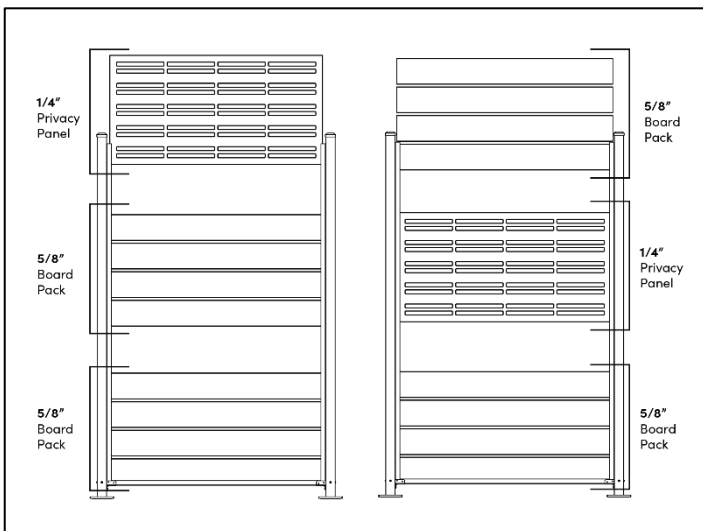
STEP 3 – Attach Side Frame Channels

- Set the vertical frame channel (B) into the bracket (C) with the opening of the channel facing away from the post.
- Make sure the frame channel (B) is plumb and centered on the groove in the post.
- Use a clamp to hold your frame channel in place.
- Attach using 1/8" pilot holes and (5) #8 x 1/2" screws (L-1) located in the pre-cut slots.
- Repeat for other post.



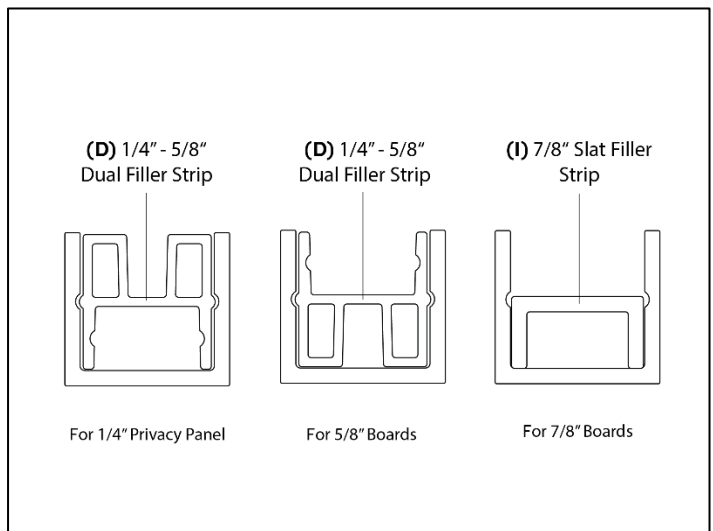
STEP 4 - Insert Lower Frame Channel

- Set one of the horizontal frame channels (A) into the brackets (C) from Step 1 with the opening of the channel facing up.
- DO NOT ATTACH YET.



STEP 5 – Plan Infill Kit Layout

- You can mix and match infill kits to fit your style. Each infill kit takes up 1/3 of the Frame Kit.
- Determine your desired privacy screen infill pattern and related adapters/spacers.
- *Note that if you are planning to install 7/8" material, measurement details will be laid out in Section A (below).



For 1/4" Privacy Panel

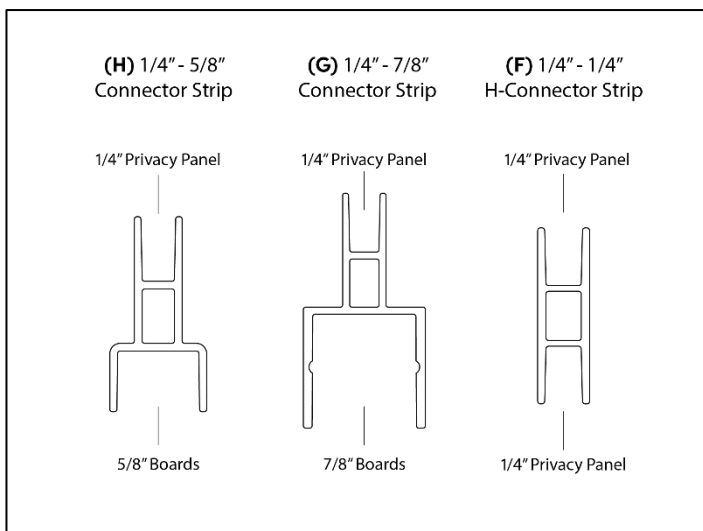
For 5/8" Boards

For 7/8" Boards

Filler Strips

- The Privacy Screen filler trips help connect the infill kits to the frame channels.
- Make sure to set the proper filler strip in the frame channel to adapt to your infill kit.
- These strips go into the top or bottom frame channels to provide the correct spacing.

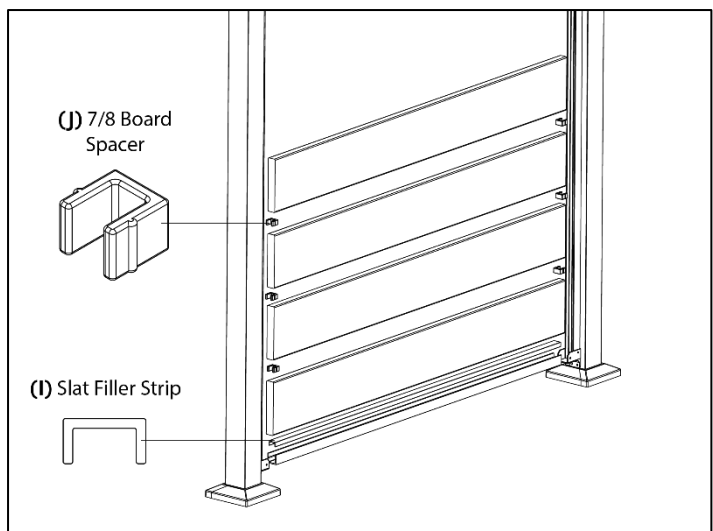
*Filler strips sit in the frame channels to adapt each size: 1/4" panels, 5/8" slats or 7/8" boards.



Connector Strips

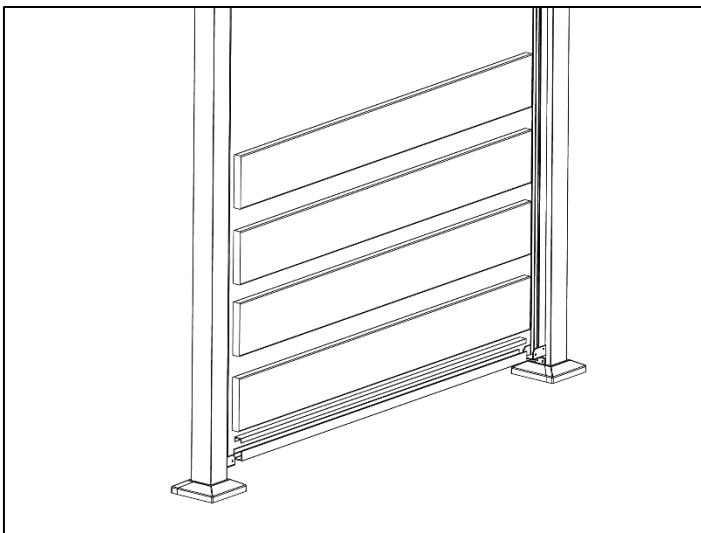
- The Privacy Screen Infill Kits can be connected by using one of these Connector Strips.
- Set a properly sized Connector Strip on top of the installed Infill Kit.
- Install the next Infill Kit directly on top of the Connector Strip.

*Connector Strips join two different infill options together



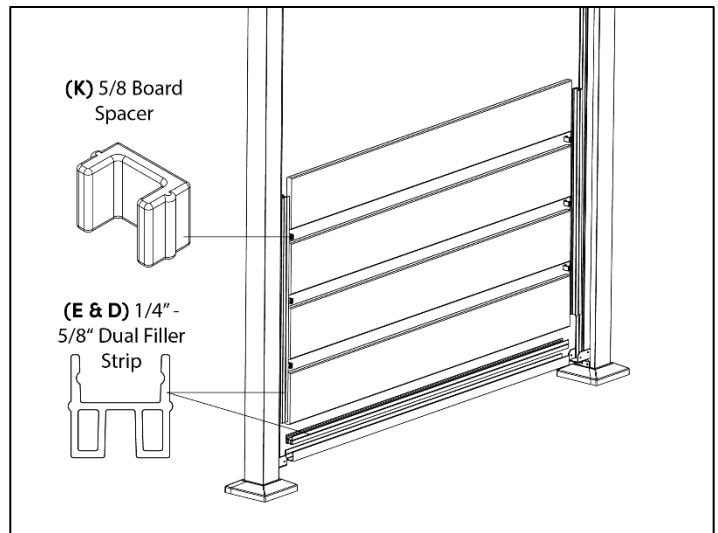
A – 7/8" Thick Boards

- If 7/8" thick boards are desired, you must cut each board to 45-3/8". One "Infill Kit" is made up of (4) 5-1/2" wide boards with spacers.
- When installing 7/8" boards into a Horizontal Frame Channel (A) you must insert one 7/8" Slat Filler Strip (I) into the Horizontal Frame Channel (A). This applies to both the top and bottom Horizontal Frame Channel (A).
- Install one 45-3/8" long board by sliding both ends of the board down the Vertical Frame Channels (B).



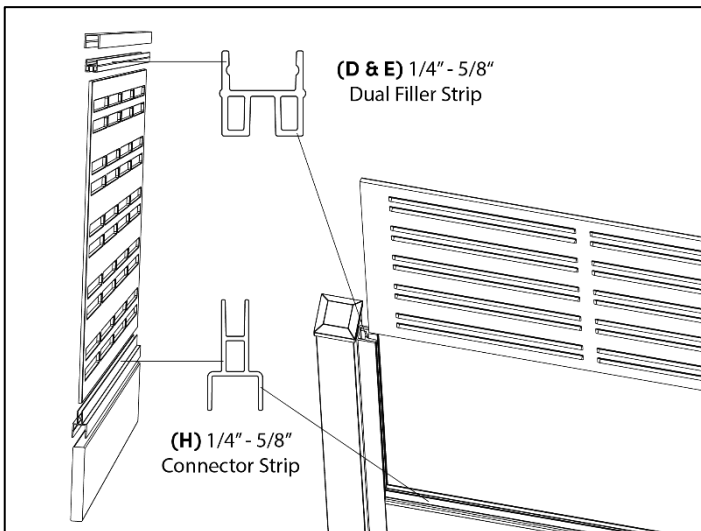
A – 7/8" Thick Boards (Cont.)

- If no gap is desired, install the next board directly on top of the last one. The no-gap option is only available if you choose to use all boards (no screens) for the entire kit.
- If you choose this configuration, you will need to install one extra board (13 total boards).
 - Repeat these steps to fill in the rest of the privacy screen.



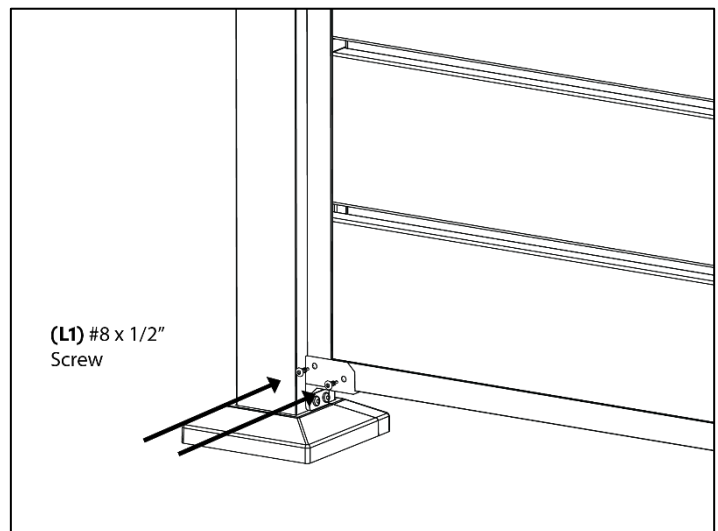
B - 5/8" Privacy Slats

- You will need to install 1/4"-5/8" dual filler strips (D, E) into **all** frame channels bordering the 5/8" Privacy Slats
- Install one 45" long board by sliding both ends of the board down the filler strips (E).
- If a gap is desired between the boards, install one 1/2" spacer (K) into the filler strips (E) on each side by pushing them in and resting on top of the installed board.
- If no gap is desired, install the next board directly on top of the last.
 - *The no-gap option is only available if you choose to use all boards (no screens) for the entire kit.
 - If you choose this configuration, you will need to install one extra board (13 total boards).
- Repeat these steps to fill in the rest of the privacy screen.



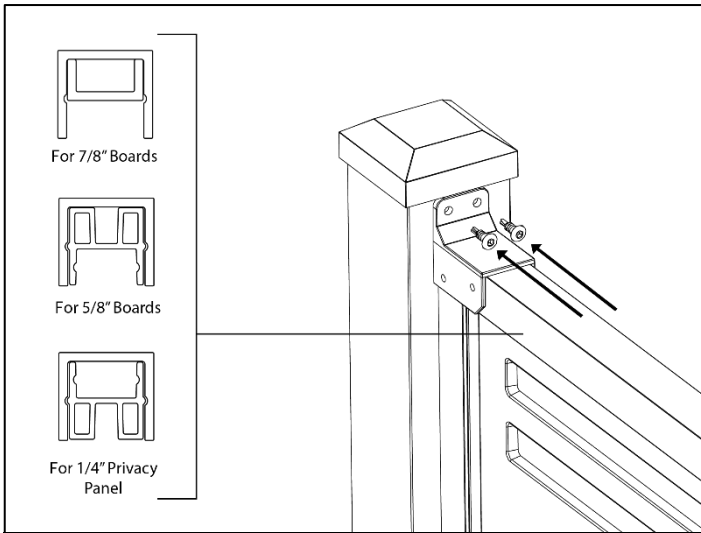
C – 1/4" Privacy Panels

- The Vertical Frame Channels will need two 1/4" Dual Filler Strips, 24" (E) for the Privacy Panel.
- If the panel is bordered by the Horizontal Frame Channel, it will need a 1/4"-5/8" Dual Filler Strips, 44-3/8" (D).
- If the panel is bordered by a privacy slat (5/8") or board (7/8"), it will need the matching horizontal connector strip (H or G)
- Install the filler strips (D,E) and required connector strip(s) (H or G) with the 1/4" slots facing towards the panel.
- Install the Privacy Panel by sliding both ends of the panel down the 1/4" Vertical Filler Strips (E) until it is fully seated in the bottom horizontal channel.
- Repeat these steps to fill in the rest of the privacy screen.



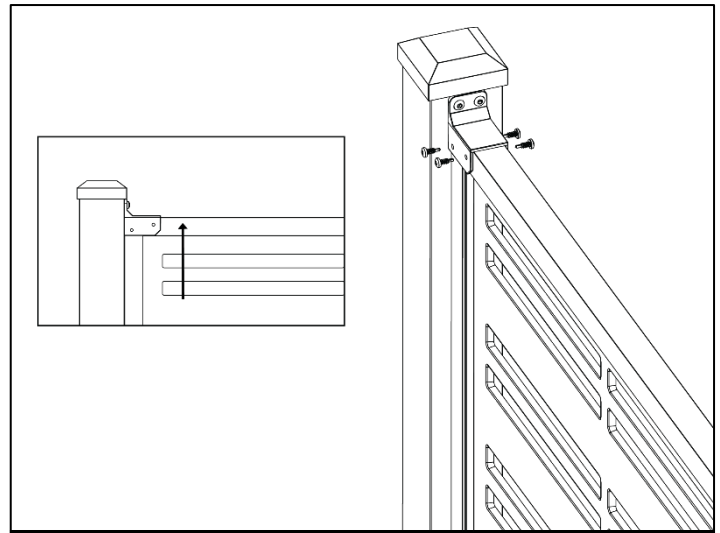
Step 6 - Attach Lower Brackets

- After all infill sections have been placed, attach the lower brackets to the channel using an 1/8" pilot hole and four #8 x 1/2" screws (L-1) through the pre-drilled holes in the brackets.



Step 7 - Attach Upper Brackets

- Set the Upper Frame Channel (A) on top of the installed infill kits.
- Set Upper Brackets (C) on top of the Vertical Frame Channels (B) and centered on the post.
- Attach an 1/8" pilot hole and (2) supplied #10 x 1" (L-2) screws for each bracket (C).



Step 8 - Attach Upper Horizontal Frame Channel

- Make sure the Top Horizontal Frame Channel (A) is pushed up into the installed Upper Brackets (C) and attach using an 1/8" pilot hole and (4) #8 x 1/2" (L-1) screws through the pre-drilled holes in the brackets.

THE DIAGRAMS AND INSTRUCTIONS IN THIS BROCHURE ARE FOR ILLUSTRATION PURPOSES ONLY AND ARE NOT MEANT TO REPLACE A LICENSED PROFESSIONAL. ANY CONSTRUCTION OR USE OF THE PRODUCT MUST BE IN ACCORDANCE WITH ALL LOCAL ZONING AND/OR BUILDING CODES. THE CONSUMER ASSUMES ALL RISKS AND LIABILITY ASSOCIATED WITH THE CONSTRUCTION OR USE OF THIS PRODUCT. THE CONSUMER OR CONTRACTOR SHOULD TAKE ALL NECESSARY STEPS TO ENSURE THE SAFETY OF EVERYONE INVOLVED IN THE PROJECT, INCLUDING, BUT NOT LIMITED TO, WEARING THE APPROPRIATE SAFETY EQUIPMENT. EXCEPT AS CONTAINED IN THE WRITTEN LIMITED WARRANTY, THE WARRANTOR DOES NOT PROVIDE ANY OTHER WARRANTY, EITHER EXPRESS OR IMPLIED, AND SHALL NOT BE LIABLE FOR ANY DAMAGES, INCLUDING CONSEQUENTIAL DAMAGES.

©2023 UFP Retail Solutions, LLC. Deckorators is a registered trademark of Deckorators, Inc. All rights reserved. 68956 U.S. Highway 131, White Pigeon, MI 49099

www.Deckorators.com