

Tools and items needed

- Drill/power screwdriver
- Carpenter's level
- Safety glasses/goggles
- Miter or circular saw
- Carpenter's pencil
- Assorted fasteners (included)
- Tape measure

Contents

- 6 – Mounting brackets
- 36 – #8 x 3/4" stainless steel screws

The Deck Board Railing Connector can be installed on the following rails:
ALX Classic, ALX PRO, ALX Contemporary, CXT Classic, CXT Pro Contemporary

Over-the-post installation

Step 1 Assemble the rail section according to the railing installation instructions.

Step 2 Install one deck board mounting bracket at each end of the rail section, 2" from the post. Center the mounting bracket across the top of the rail with the countersunk center holes facing up (fig. 1, Over-the-post installation).

Step 3 Predrill through the two center holes in the mounting bracket using a drill bit (1/8" into aluminum, 7/64" into wood or composite). Screw the mounting brackets to the top of the rail using (2) of the #8 x 3/4" SS screws. *Note: If installing a deck board cap rail on a Deckorators ALX Classic or CXT Classic Rail—rout out the underside of the cap rail so that it will slide over and around the rail bracket and bracket cover. Rout the channel approximately 3-3/4" wide x 11/16" deep x 1-3/4" long.*

Step 4 Position the remaining 4 mounting brackets at equal intervals along the top of the rail and repeat the process.

Step 5 Join together two in-line cap rail sections with 22.5-degree scarf joints (fig. 2) and 45-degree miter joints at the corners (fig. 3). Assure that the joints occur on top of the posts. Secure the joints with glue or caulk per the deck board manufacturer's specifications. **Important: Make sure the cap rails are centered over the posts so the top edge of the post is not exposed.** *Note: For rail sections meeting at angles other than 90 degrees, make sure the posts are set at the correct angle so the cap rail miter will cover the top of the post.*

Step 6 Once the mounting brackets are in place on the rail, secure the deck board by predrilling with a 7/64" drill bit from underneath the cap rail, through the countersunk holes in the mounting bracket. Secure the mounting bracket to the deck board using the #8 x 3/4" SS screws (included).

Post-to-post installation

Note: We recommend using posts wider than the deck board cap rail to conceal cut ends.

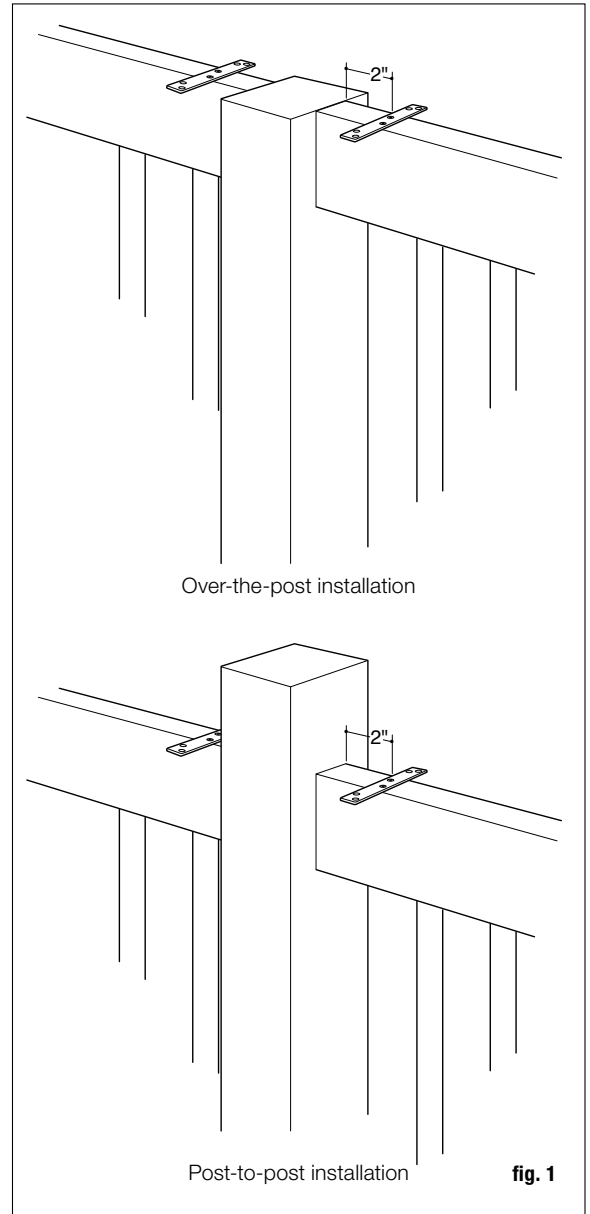


fig. 1

Post-to-post installation, cont.

Step 1 Assemble the rail section according to the railing installation instructions.

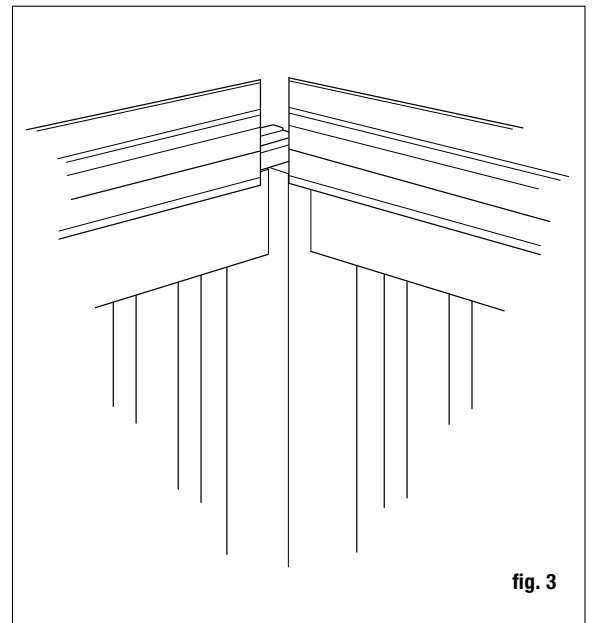
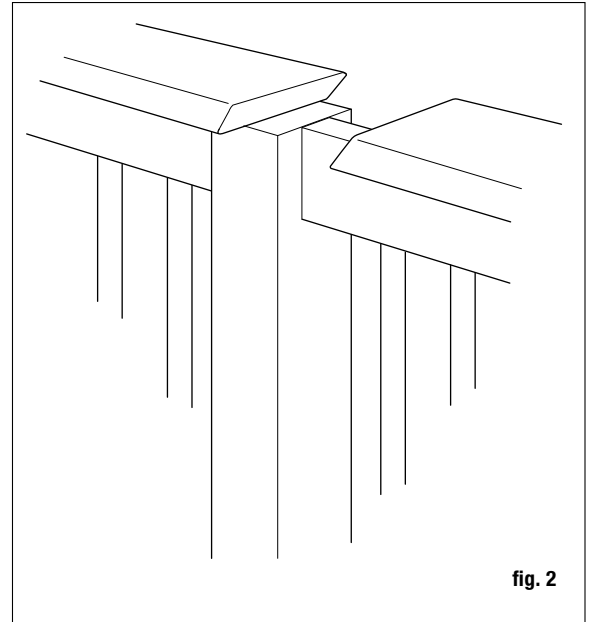
Step 2 Install one deck board mounting bracket 2" from the post. Center the mounting bracket across the top of the rail with the countersunk center holes facing up (fig. 1, Post-to-post installation).

Step 3 Pre-drill through the two center holes in the mounting bracket using a drill bit (1/8" into aluminum, 7/64" into wood or composite). Screw the mounting brackets to the top of the rail using (2) of the #8 x 3/4" SS screws. Position the remaining 4 mounting brackets at equal intervals along the top of the rail and repeat the process.

Step 4 Measure the distance along the top rail between the installed posts.

Step 5 Cut the cap rail to this measurement. *Note: If installing a deck board cap rail on a Deckorators CXT Classic Rail—rout out the underside of the cap rail so that it will slide over and around the rail bracket and bracket cover. Rout the channel approximately 3-3/4" wide x 11/16" deep x 1-1/2" long.*

Step 6 Once the mounting brackets are in place on the rail, secure the deck board by pre-drilling with a 7/64" drill bit from underneath the cap rail, through the countersunk holes in the mounting bracket. Secure the mounting bracket to the deck board using the #8 x 3/4" SS screws (included).



THE DIAGRAMS AND INSTRUCTIONS IN THIS BROCHURE ARE FOR ILLUSTRATION PURPOSES ONLY AND ARE NOT MEANT TO REPLACE A LICENSED PROFESSIONAL. ANY CONSTRUCTION OR USE OF THE PRODUCT MUST BE IN ACCORDANCE WITH ALL LOCAL ZONING AND/OR BUILDING CODES. THE CONSUMER ASSUMES ALL RISKS AND LIABILITY ASSOCIATED WITH THE CONSTRUCTION OR USE OF THIS PRODUCT. THE CONSUMER OR CONTRACTOR SHOULD TAKE ALL NECESSARY STEPS TO ENSURE THE SAFETY OF EVERYONE INVOLVED IN THE PROJECT, INCLUDING, BUT NOT LIMITED TO, WEARING THE APPROPRIATE SAFETY EQUIPMENT. EXCEPT AS CONTAINED IN THE WRITTEN LIMITED WARRANTY, THE WARRANTOR DOES NOT PROVIDE ANY OTHER WARRANTY, EITHER EXPRESS OR IMPLIED, AND SHALL NOT BE LIABLE FOR ANY DAMAGES, INCLUDING CONSEQUENTIAL DAMAGES.