

GENERAL NOTES

1. ALL RAILING INSTALLATIONS SHALL CONFORM TO THE REQUIREMENTS OF SUPPLEMENTARY STANDARD SB-7 OF THE 2012 ONTARIO BUILDING CODE.
2. ALL WOOD MATERIALS TO BE S-P-F PRESSURE-TREATED WITH A WATER-BORNE PRESERVATIVE, OR UNTREATED CEDAR AS PER SB-7. GRADES AS INDICATED ON OTHER DRAWINGS.
3. ALL FASTENERS TO HAVE A CORROSION RESISTANT COATING AS PER SB-7, SUITABLE FOR USE WITH PRESSURE TREATED WOOD.
4. VERTICAL RAILS AND BALUSTERS HAVE BEEN DESIGNED IN ACCORDANCE WITH 2012 OBC AND 2015 NBCC SECTION 9.8.8.2 FOR THE FOLLOWING LOADS:
 - (i) 113 LB (0.5kN) HORIZONTAL CONCENTRATED LOAD AT ANY POINT APPLIED OVER THREE BALUSTERS (COLONIAL, CLASSIC, BAROQUE, ARC, TRADITIONAL). LOAD IS APPLIED OVER TWO GLASS BALUSTERS.
 - (ii) A UNIFORM VERTICAL LOAD OF 100 PLF (1.5kN/m) APPLIED TO THE TOP OF THE GUARD.
5. FLAT TOP RAIL IS DESIGNED TO RESIST THE FOLLOWING HORIZONTAL LOADS:
 - (i) 0.5kN/m (34lb/ft) OR
 - (ii) 1.0kN (225lb) CONCENTRATED LOAD AT ANY POINT, WHICHEVER GOVERNS.
6. DRAWINGS S-1 TO S-15 ARE FOR THE DESIGN OF THE RAILS, BALUSTERS, AND RAIL BRACKETS ONLY. ALL OTHER COMPONENTS SHALL CONFORM TO THE REQUIREMENTS OF THE ONTARIO BUILDING CODE.
7. METAL PICKETS SHALL NOT BE IN DIRECT CONTACT WITH PRESSURE-TREATED WOOD.
8. THESE DETAILS ARE FOR USE IN HOUSES AND SMALL BUILDINGS CONFORMING TO THE REQUIREMENTS OF PART 9 OF THE ONTARIO 2012 BUILDING CODE AND THE 2015 NATIONAL BUILDING CODE. THESE DETAILS ARE FOR GUARDS NOT SERVING MORE THAN 2 DWELLING UNITS.
9. DESIGN IS VALID UNTIL MARCH 1, 2025

Testing for the railing system and/or components as summarized in the following drawings has been completed at Architectural Testing Inc./Intertek. The reports noted below summarize the testing and verification of the performance of individual components as well as the railing as a system.

Architectural Testing 94743.01-119-19
 Architectural Testing A1047.01-119-19
 Intertek K3227.01-119-19 R1
 Intertek J6875.01-119-19 R1

NOTE: DO NOT SCALE FROM DRAWING. ALL DIMENSIONS TO BE OBTAINED AND VERIFIED ON SITE.

COMPONENTS

1. LIV OUTDOOR NYLON RAIL BRACKET c/w 3-No. 10x2" STAINLESS STEEL WOOD SCREWS TO POST AND 2-No.10x2" WOOD SCREWS TO END OF RAIL.
2. $\frac{3}{4}$ " DIAMETER CLASSIC AND COLONIAL BALUSTER, $\frac{3}{4}$ "x $\frac{3}{4}$ " SQUARE ESTATE BALUSTERS ALL WITH BALUSTER CONNECTORS, 1" WIDE x $\frac{1}{2}$ " FLAT TRADITIONAL BALUSTERS, 1" WIDE FLAT BAROQUE OR ARC BALUSTERS, 4" WIDE x 0.31" THICK TEMPERED GLASS BALUSTERS, ALL BY DECKORATORS.
3. 4x4 POSTS (MINIMUM) ANCHORED TO FLOOR STRUCTURE IN ACCORDANCE WITH DETAIL EB-5 TO EB-6 OF SB-7 OF THE ONTARIO BUILDING CODE.
4. 2x4 (FLAT) TOP RAIL FASTENED TO POSTS USING TWO 3" TOE-NAILS AS PER DETAIL EA-2 OF SB-7 OF THE ONTARIO BUILDING CODE.
5. 2x4 (FLAT) TOP RAIL- NO.2 OR BETTER PRESSURE TREATED S-P-F, OR SELECT STRUCTURAL CEDAR.
6. FASTEN 2x4 (FLAT) RAIL TO 2x4 VERTICAL RAIL WITH 3" LONG NO.8 WOOD SCREWS AT 16" o/c. FACE SCREW FROM TOP OR TOE SCREW FROM BELOW.
7. 2x4 VERTICAL RAIL - NO.2 OR BETTER PRESSURE TREATED S-P-F, OR SELECT STRUCTURAL CEDAR, OR 1-1/2" x 3-1/2" ALUMINUM.
8. 1" x 3-1/2" CLEAR, STRAIGHT GRAIN, DARK RED MERANTI.



806 - 7015 MACLEOD TR. SW, CALGARY, AB



No.	ISSUE / REVISION	YY/MM/DD

ALL RIGHTS RESERVED, PROPERTY OF MOTUS CONSULT LTD., USE OR REPRODUCTION PROHIBITED WITHOUT PRIOR WRITTEN PERMISSION.

DECKORATORS RAILING SYSTEM

GENERAL NOTES

DATE:	23-01-26	DRAWING No:	S1
SCALE:	NTS		
DESIGNED:			
DRAWN:	JA	PROJECT No:	122055
REVIEWED:	BB		

PEO CERTIFICATE OF AUTHORIZATION: #100576633

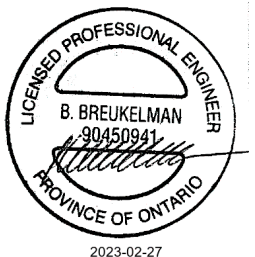
SPECIFICATIONS

- Classic balusters (part 104.3), which are 32" tall, 3/4" diameter x 0.05" thick painted aluminum grade 6063-T6 (minimum yield strength of 25 ksi).
- Estate balusters (part 114.3), which are 32" tall, 3/4" x 3/4" square x 0.05" thick painted aluminum grade 6063-T6 (minimum yield strength of 25 ksi).
- Colonial balusters (part 113.1), which are 26" tall, 3/4" diameter (at the ends) x 0.05" thick painted aluminum grade 6063-T6 (minimum yield strength of 25 ksi).
- Baroque balusters (part 110.2), which are 32" tall, 1" wide x 0.19" thick " thick painted aluminum grade 6063-T6 (minimum yield strength of 25 ksi).
- Arc balusters (part 112.2), which are 32.25" tall, 1" wide x 0.19" thick " thick painted aluminum grade 6063-T6 (minimum yield strength of 25 ksi).
- Traditional balusters (part 111.2) , which are 32" tall, 1" wide x 1/2" deep x 0.05" wall painted aluminum tubes, grade 6063-T6 (minimum yield strength of 25 ksi).
- Glass Balusters (part 116.1), which are 32" tall and marked with the following:
 Deckorators Inc. 8mm
 Single-fully tempered Glass
 6 CFR 1201. Part II Standard ANSI Z97.1-1984 (R-1994)
- Deckorators connectors for attachment of the classic and colonial balusters (parts 107.1 and 107.2), and estate balusters (part 108.1). Deckorators fastball connectors (part 66017) for attachment of the classic and colonial balusters.
- Liv Outdoor nylon rail brackets c/w screws for attachment of the vertical rails to the support posts, and the pipe rails to the posts.
- Deckorators aluminum rail (part 101.4), which is 1.5" x 3.5" x 0.075" thick painted aluminum grade 6063-T6 (minimum yield strength of 25 ksi).

NOTE: DO NOT SCALE FROM DRAWING. ALL DIMENSIONS TO BE OBTAINED AND VERIFIED ON SITE.



806 - 7015 MACLEOD TR. SW, CALGARY, AB



No.	ISSUE / REVISION	YY/MM/DD

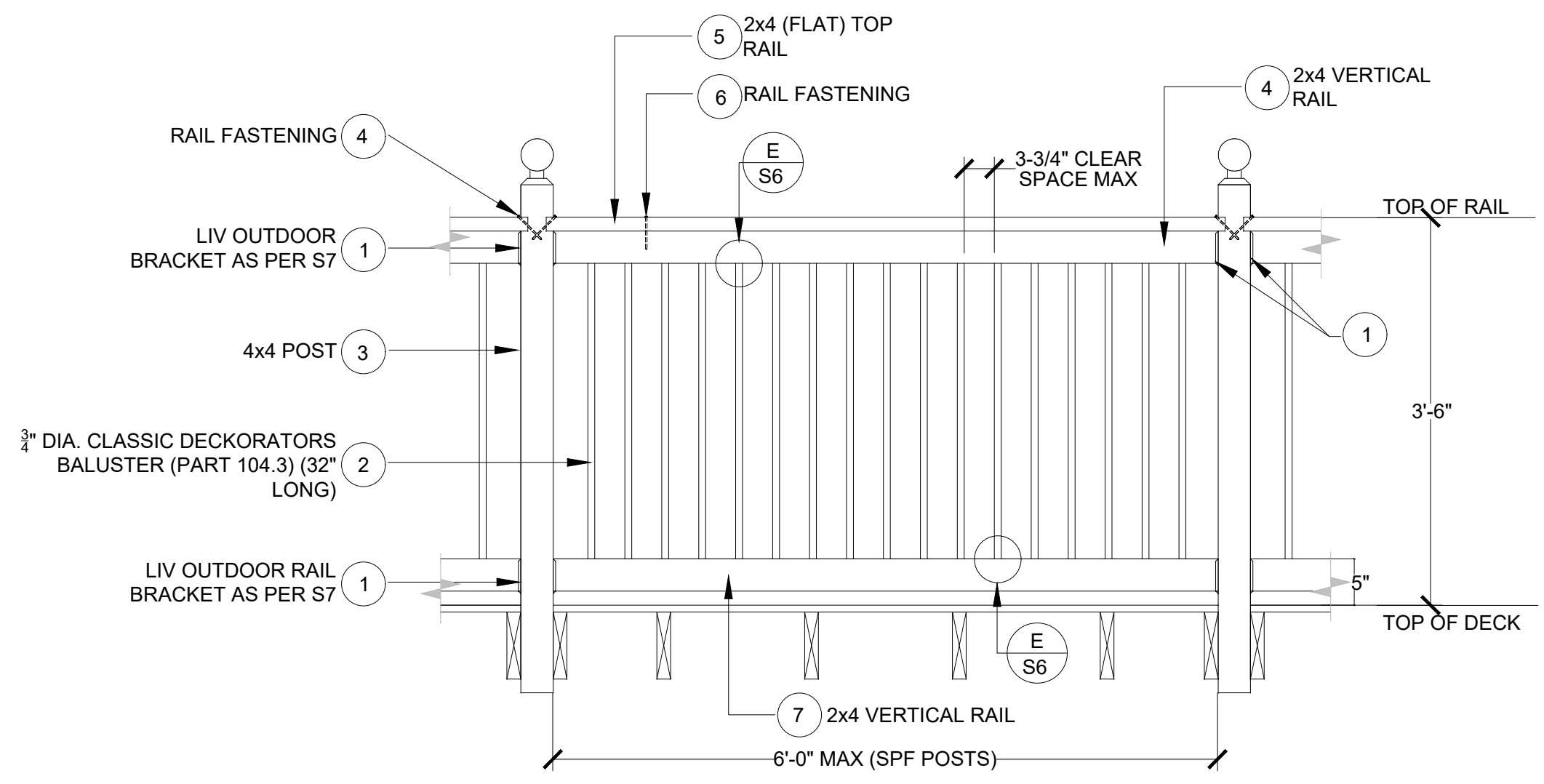
ALL RIGHTS RESERVED, PROPERTY OF MOTUS CONSULT LTD., USE OR REPRODUCTION PROHIBITED WITHOUT PRIOR WRITTEN PERMISSION.

DECKORATORS RAILING SYSTEM

RAILING SYSTEM SPECIFICATIONS

DATE:	23-01-26	DRAWING No:	S2
SCALE:	NTS	DESIGNED:	
DRAWN:	JA	PROJECT No:	122055
REVIEWED:	BB		

PEO CERTIFICATE OF AUTHORIZATION: #100576633



NOTE: THE MAXIMUM SPACING FOR CEDAR POSTS IS 3'-7" AS PER SB-7 OF THE ONTARIO BUILDING CODE.

NOTE: ESTATE BALUSTER (PART 114.3) AND ESTATE CONNECTOR (PART 108.1) MAY ALSO BE USED WITH THIS DRAWING.

REFER TO NOTES ON DRAWING S1.

A 42" GUARD w/ CLASSIC BALUSTERS
 S3 SCALE: NTS

NOTE: DO NOT SCALE FROM DRAWING. ALL DIMENSIONS TO BE OBTAINED AND VERIFIED ON SITE.



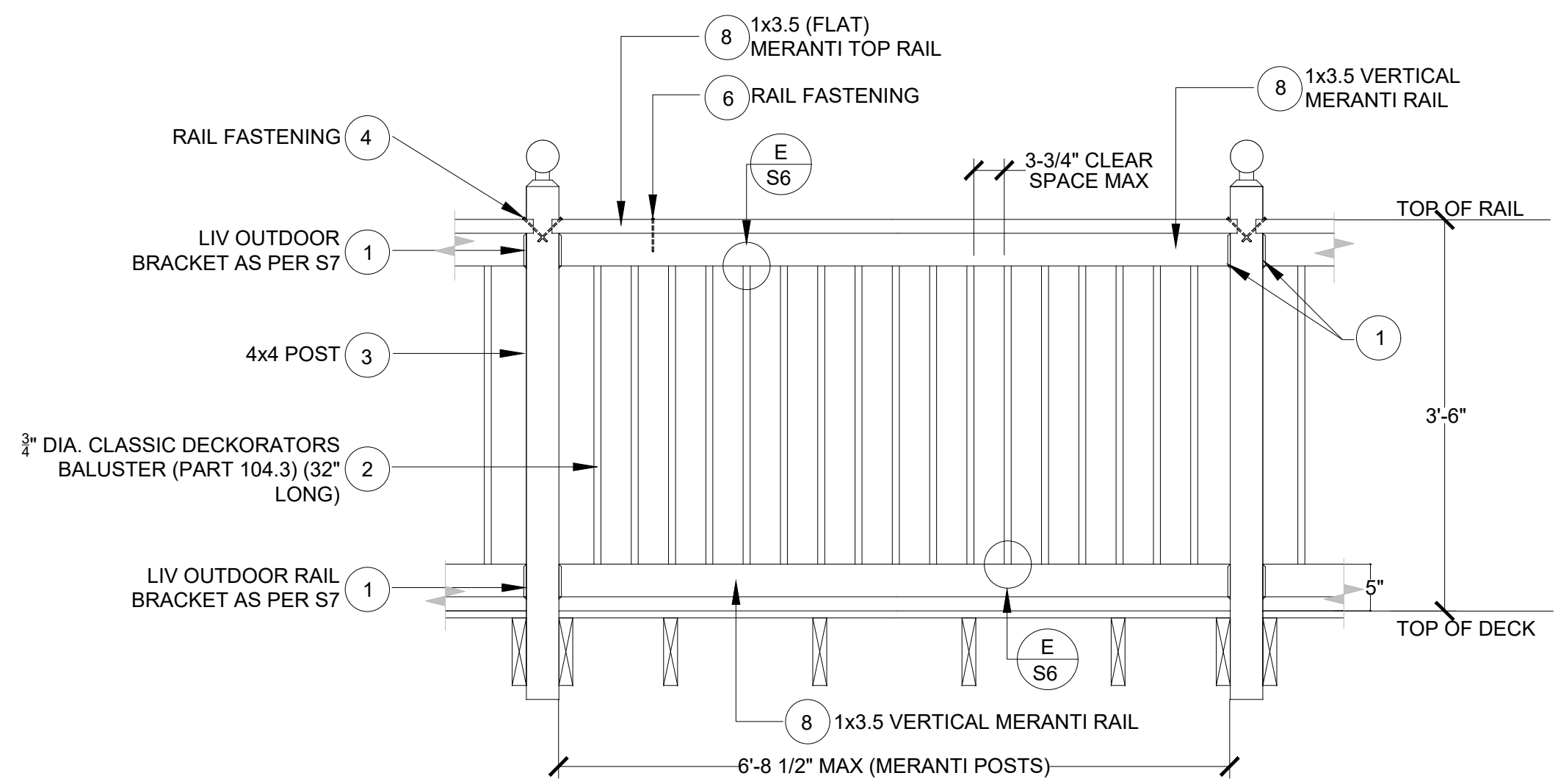
No.	ISSUE / REVISION	YY/MM/DD

ALL RIGHTS RESERVED, PROPERTY OF MOTUS CONSULT LTD., USE OR REPRODUCTION PROHIBITED WITHOUT PRIOR WRITTEN PERMISSION.

DECKORATORS RAILING SYSTEM

CLASSIC BALUSTER AND RAIL DETAIL

DATE:	23-01-26	DRAWING No:	S3
SCALE:	NTS	DESIGNED:	
DRAWN:	JA	PROJECT No:	122055
REVIEWED:	BB		



NOTE: THE MAXIMUM SPACING FOR CEDAR POSTS IS 3"-7" AS PER SB-7 OF THE ONTARIO BUILDING CODE.

NOTE: ESTATE BALUSTERS (PART 114.3) AND ESTATE CONNECTOR (PART 108.1) MAY ALSO BE USED WITH THIS DRAWING.

REFER TO NOTES ON DRAWING S1.

A
S4 42" MERANTI GUARD w/ CLASSIC BALUSTERS
SCALE: NTS

NOTE: DO NOT SCALE FROM DRAWING. ALL DIMENSIONS TO BE OBTAINED AND VERIFIED ON SITE.



No.	ISSUE / REVISION	YY/MM/DD

ALL RIGHTS RESERVED, PROPERTY OF MOTUS CONSULT LTD., USE OR REPRODUCTION PROHIBITED WITHOUT PRIOR WRITTEN PERMISSION.

DECKORATORS RAILING SYSTEM

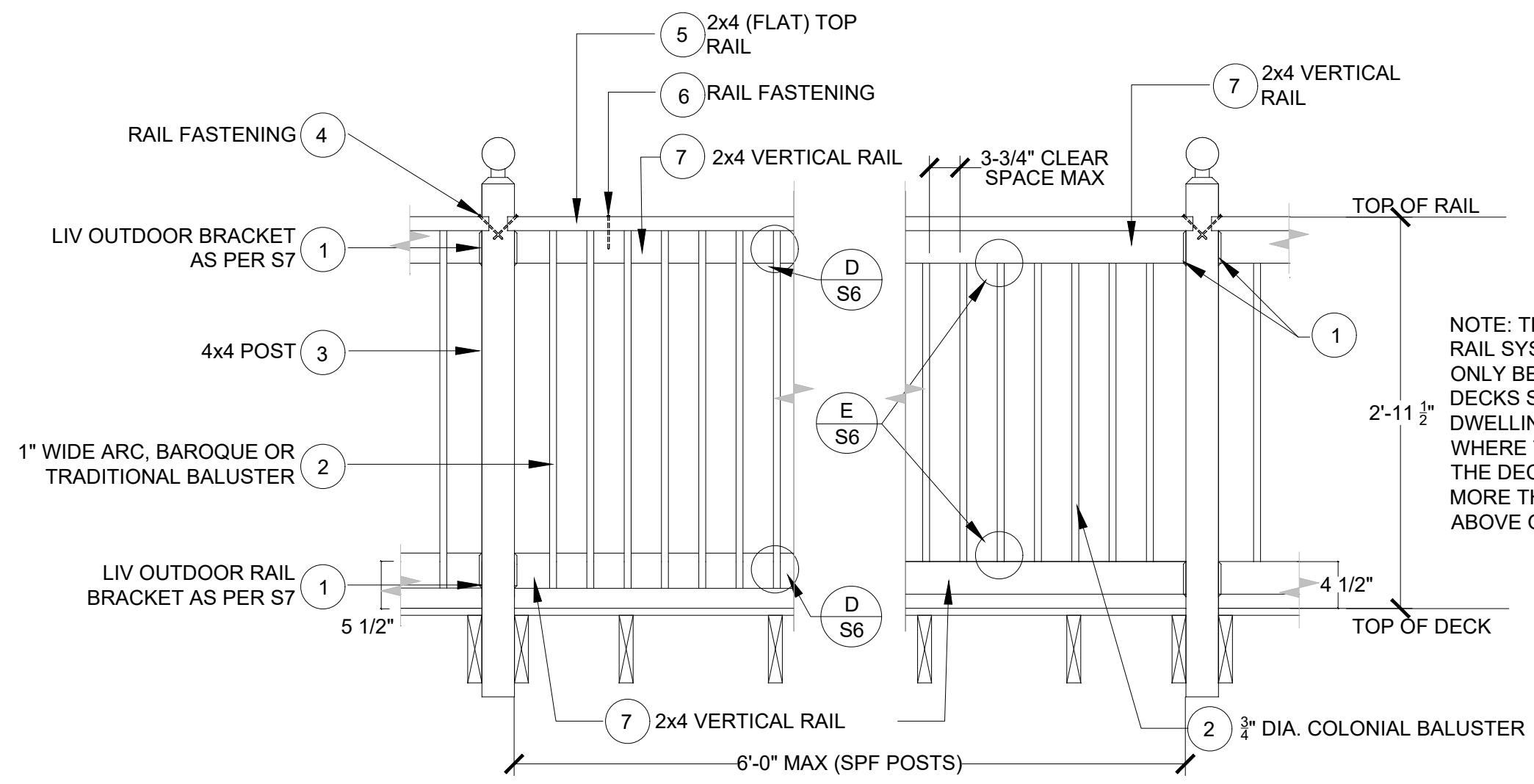
42" GUARD WITH MERANTI RAILS AND CLASSIC BALUSTERS

DATE:	23-01-26	DRAWING No:	S4
SCALE:	NTS	DESIGNED:	
DRAWN:	JA	PROJECT No:	122055
REVIEWED:	BB		

32" TALL BAROQUE (PART 110.2)
ARC (PART 112.2)
TRADITIONAL (PART 111.2)
BALUSTERS

← ⊕ →

26" TALL COLONIAL BALUSTERS
(PART 113.1)



NOTE: THE 2'-11¹/₂" HIGH RAIL SYSTEM MAY ONLY BE USED FOR DECKS SERVING ONE DWELLING UNIT AND WHERE THE TOP OF THE DECK IS NOT MORE THAN 5'-11" ABOVE GROUND LEVEL.

NOTE: THE MAXIMUM SPACING FOR CEDAR POSTS IS 3"-7" AS PER SB-7 OF THE ONTARIO BUILDING CODE.



REFER TO NOTES ON DRAWING S1.

B 35" GUARD w/ COLONIAL, BAROQUE TRADITIONAL OR ARC BALUSTERS
S5 SCALE: NTS

NOTE: DO NOT SCALE FROM DRAWING. ALL DIMENSIONS TO BE OBTAINED AND VERIFIED ON SITE.

PEO CERTIFICATE OF AUTHORIZATION: #100576633

No.	ISSUE / REVISION	YY/MM/DD

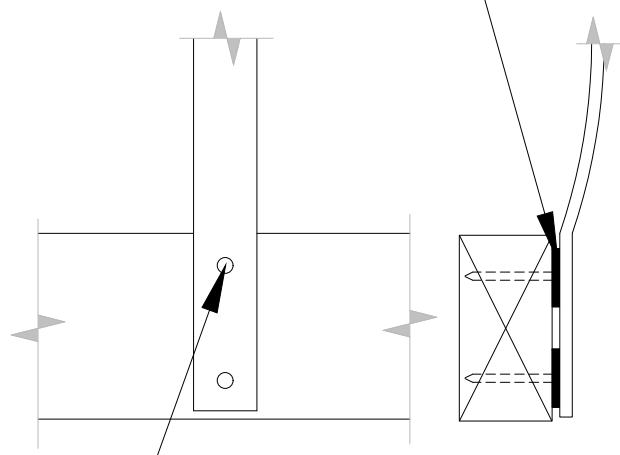
ALL RIGHTS RESERVED, PROPERTY OF MOTUS CONSULT LTD., USE OR REPRODUCTION PROHIBITED WITHOUT PRIOR WRITTEN PERMISSION.

DECKORATORS RAILING SYSTEM

BALUSTERS AND RAIL DETAILS COLONIAL, BAROQUE AND ARC

DATE:	23-02-25	DRAWING No:	S5
SCALE:	NTS	DESIGNED:	
DRAWN:	JA	PROJECT No:	122055
REVIEWED:	BB		

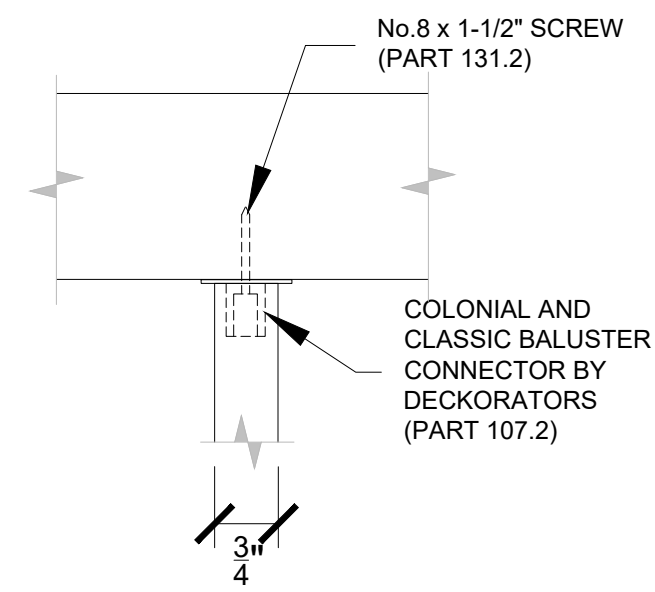
USE RUBBER OR HOT-DIP GALVANIZED WASHERS BETWEEN BALUSTERS AND PRESSURE-TREATED WOOD



No.8 x 1-1/2" (BAROQUE - PART 131.1)
 No.8 x 1-1/2" (ARC - PART 131.1)
 No.10 x 1-1/2" (TRADITIONAL - PART 131.1)
 STAINLESS STEEL SCREWS BY DECKORATORS

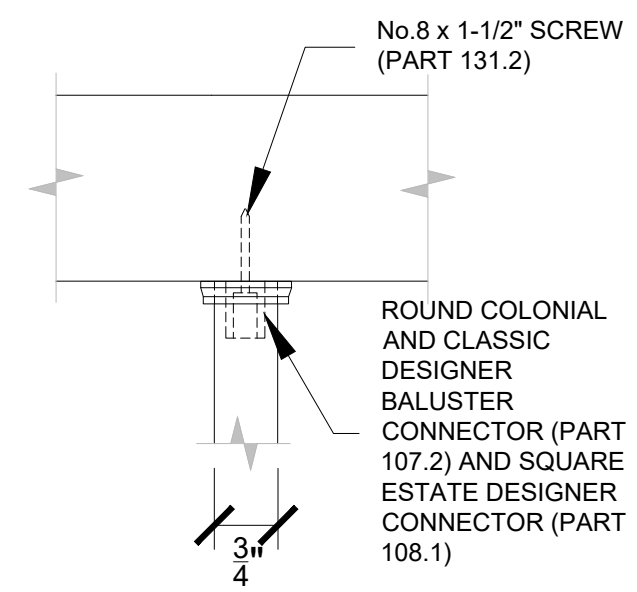
D BAROQUE TRADITIONAL OR ARC CONNECTION
 S6 SCALE: NTS

REFER TO NOTES ON DRAWING S1.



No.8 x 1-1/2" SCREW (PART 131.2)

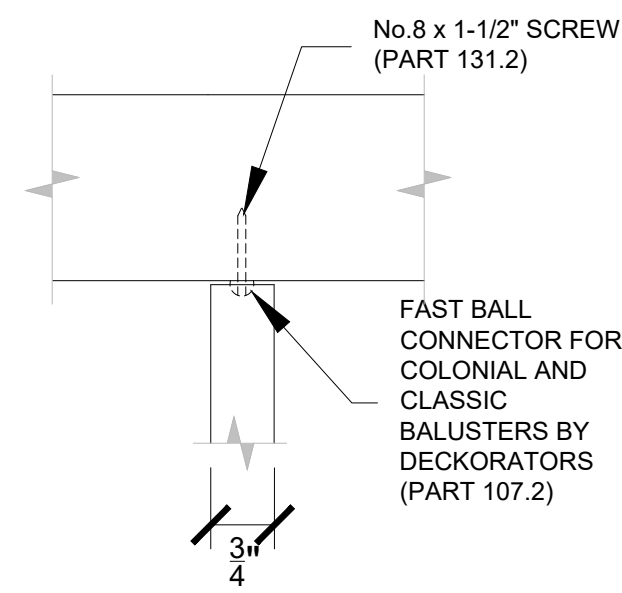
COLONIAL AND CLASSIC BALUSTER CONNECTOR BY DECKORATORS (PART 107.2)



No.8 x 1-1/2" SCREW (PART 131.2)

ROUND COLONIAL AND CLASSIC DESIGNER BALUSTER CONNECTOR (PART 107.2) AND SQUARE ESTATE DESIGNER CONNECTOR (PART 108.1)

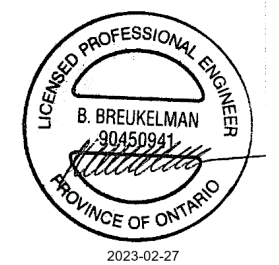
E COLONIAL, CLASSIC AND ESTATE CONNECTIONS
 S6 SCALE: NTS



No.8 x 1-1/2" SCREW (PART 131.2)

FAST BALL CONNECTOR FOR COLONIAL AND CLASSIC BALUSTERS BY DECKORATORS (PART 107.2)

REFER TO NOTES ON DRAWING S1.



No.	ISSUE / REVISION	YY/MM/DD

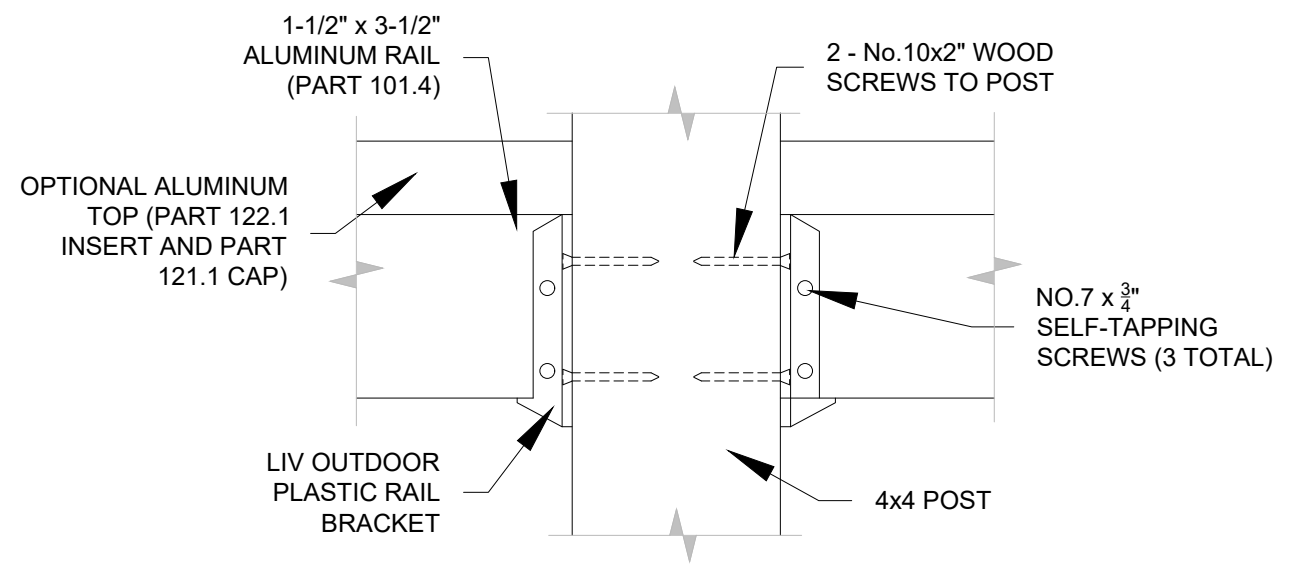
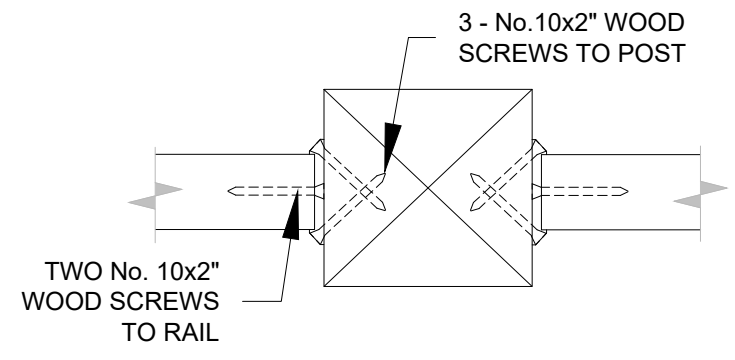
ALL RIGHTS RESERVED, PROPERTY OF MOTUS CONSULT LTD., USE OR REPRODUCTION PROHIBITED WITHOUT PRIOR WRITTEN PERMISSION.

DECKORATORS RAILING SYSTEM

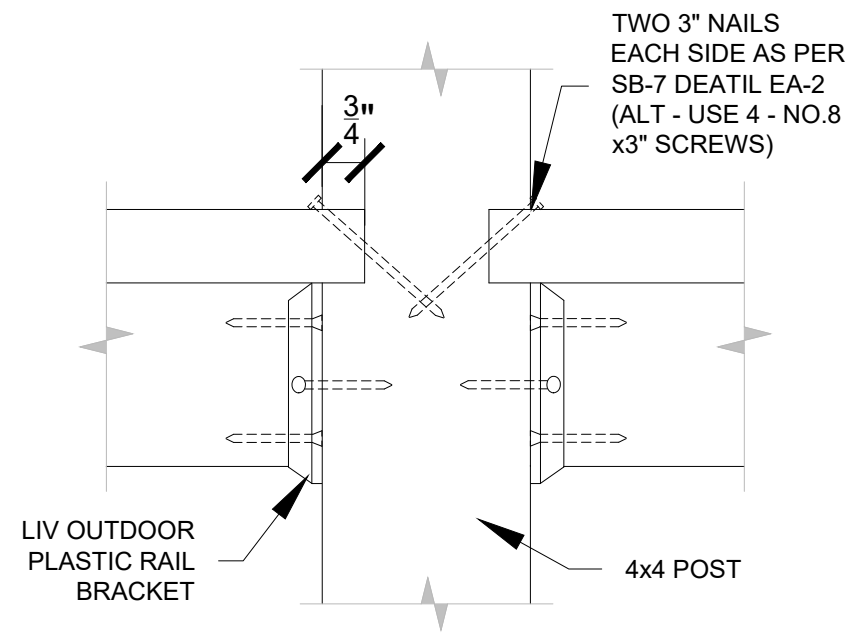
BALUSTERS AND RAIL CONNECTION DETAILS

DATE:	23-02-25	DRAWING No:	S6
SCALE:	NTS	DESIGNED:	
DRAWN:	JA	PROJECT No:	122055
REVIEWED:	BB		

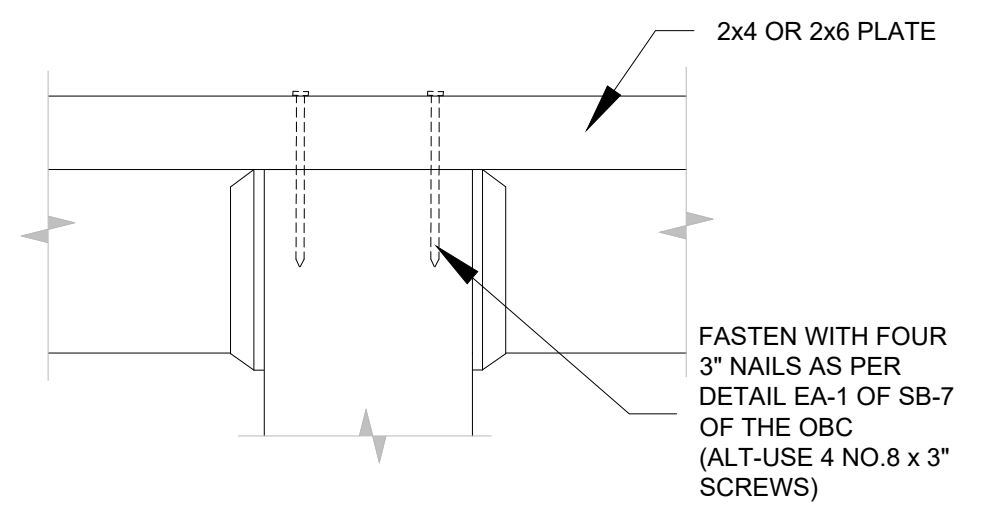
NOTE: DO NOT SCALE FROM DRAWING. ALL DIMENSIONS TO BE OBTAINED AND VERIFIED ON SITE.



W
S7 ALUMINUM RAIL BRACKET DETAIL
SCALE: NTS



F
S7 RAIL BRACKET DETAIL
SCALE: NTS



V
S7 ALTERNATE TOP RAIL ATTACHMENT
SCALE: NTS

REFER TO NOTES ON DRAWING S1.

NOTE: DO NOT SCALE FROM DRAWING. ALL DIMENSIONS TO BE OBTAINED AND VERIFIED ON SITE.

PEO CERTIFICATE OF AUTHORIZATION: #100576633



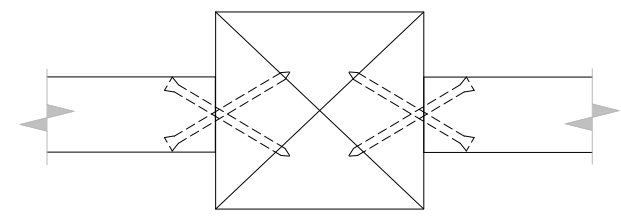
No.	ISSUE / REVISION	YY/MM/DD

ALL RIGHTS RESERVED, PROPERTY OF MOTUS CONSULT LTD., USE OR REPRODUCTION PROHIBITED WITHOUT PRIOR WRITTEN PERMISSION.

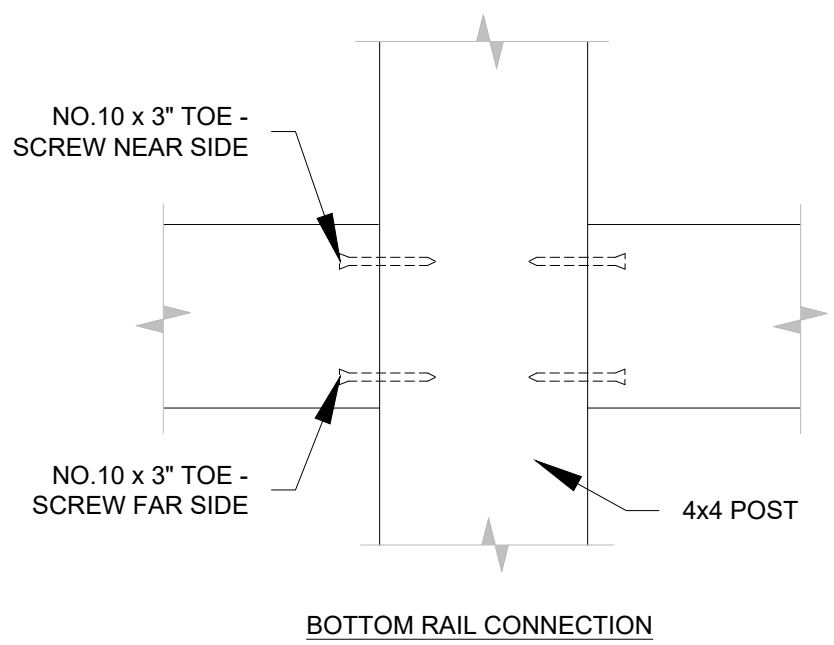
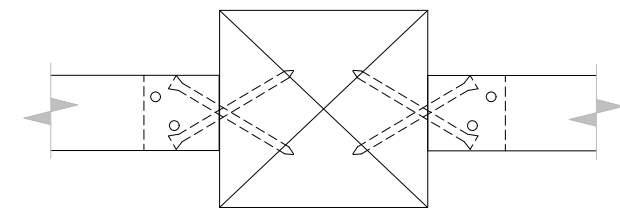
DECKORATORS RAILING SYSTEM

RAIL BRACKET DETAIL

DATE:	23-02-25	DRAWING No:	S7
SCALE:	NTS	DESIGNED:	
DRAWN:	JA	PROJECT No:	122055
REVIEWED:	BB		

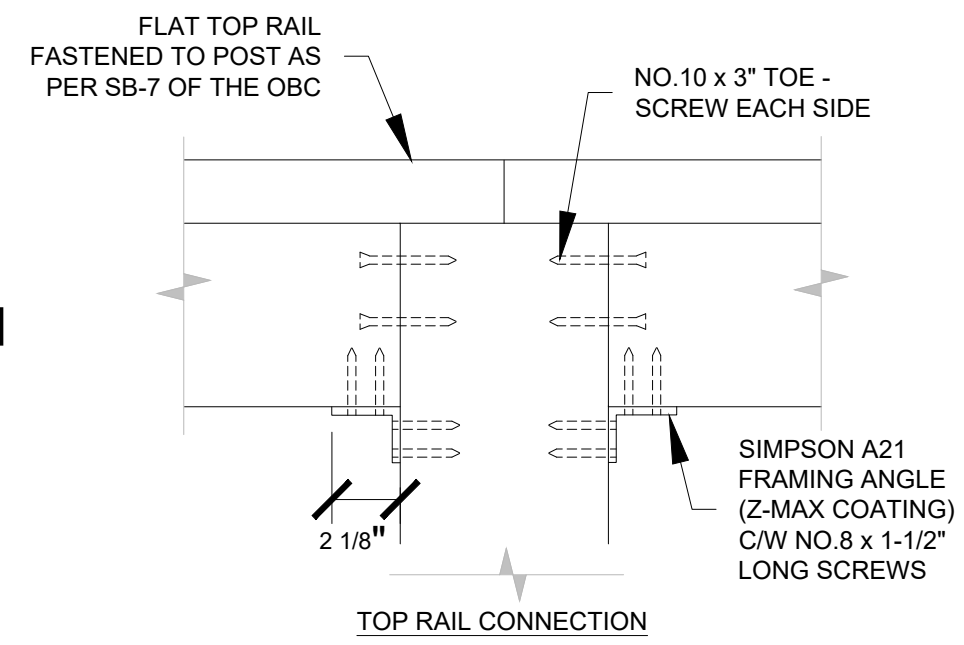


TOP VIEW

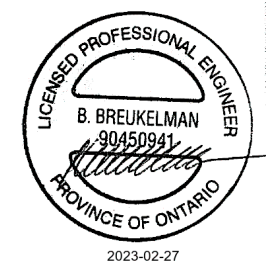


BOTTOM RAIL CONNECTION

ELEVATION



TOP RAIL CONNECTION



No.	ISSUE / REVISION	YY/MM/DD

ALL RIGHTS RESERVED, PROPERTY OF MOTUS CONSULT LTD., USE OR REPRODUCTION PROHIBITED WITHOUT PRIOR WRITTEN PERMISSION.

DECKORATORS RAILING SYSTEM

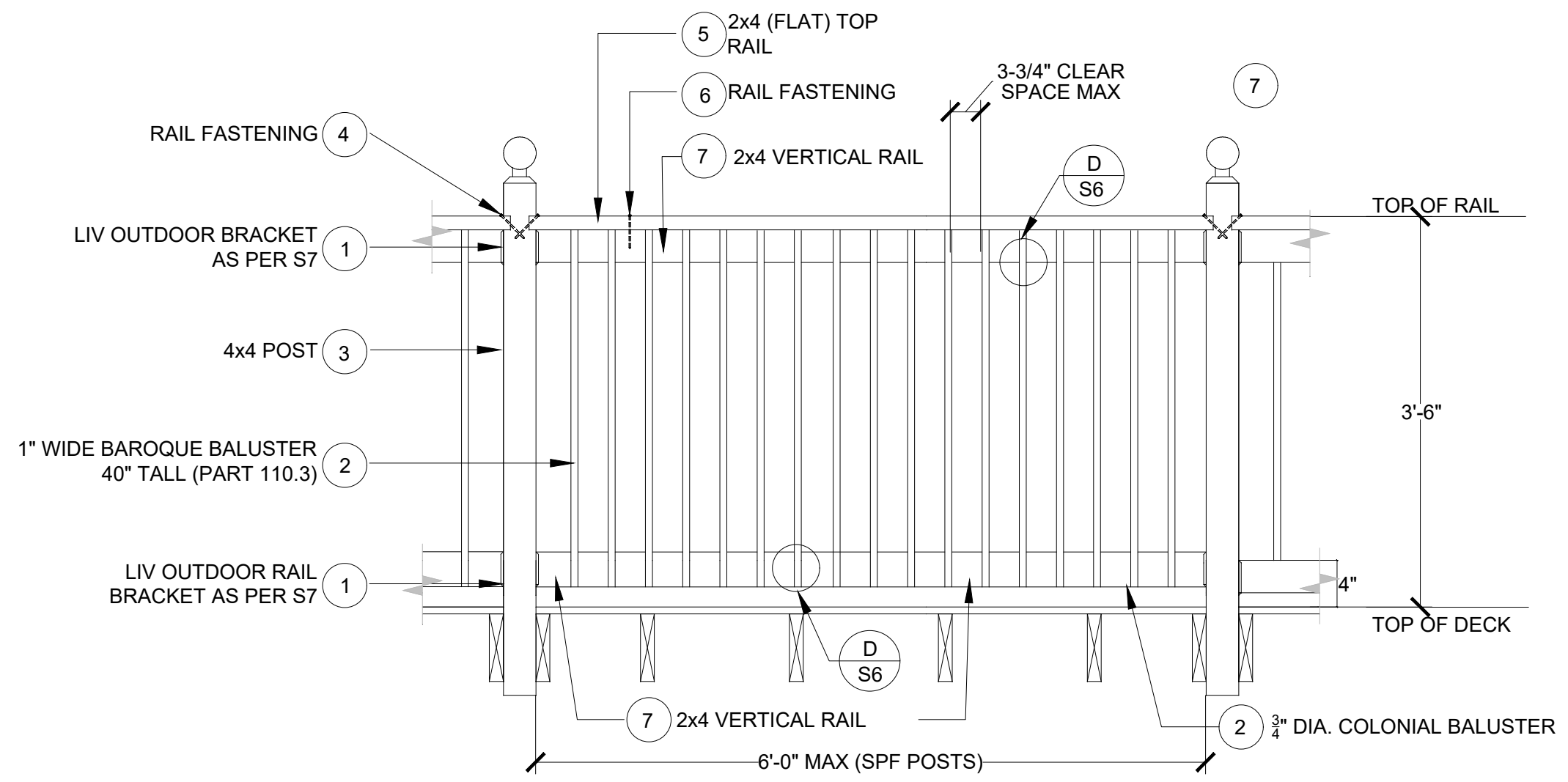
ALTERNATE RAIL BRACKET DETAIL

DATE:	23-01-26	DRAWING No:	S8
SCALE:	NTS	DESIGNED:	
DRAWN:	JA	PROJECT No:	122055
REVIEWED:	BB		

X
S8 ALTERNATE WOOD RAIL TO POST DETAIL
SCALE: NTS

REFER TO NOTES ON DRAWING S1.

NOTE: DO NOT SCALE FROM DRAWING. ALL DIMENSIONS TO BE OBTAINED AND VERIFIED ON SITE.



NOTE: THE MAXIMUM SPACING FOR CEDAR POSTS IS 3'-7" AS PER SB-7 OF THE ONTARIO BUILDING CODE.

REFER TO NOTES ON DRAWING S1.

R 42" GUARDS w/ BAROQUE BALUSTERS
 S9 SCALE: NTS

NOTE: DO NOT SCALE FROM DRAWING. ALL DIMENSIONS TO BE OBTAINED AND VERIFIED ON SITE.



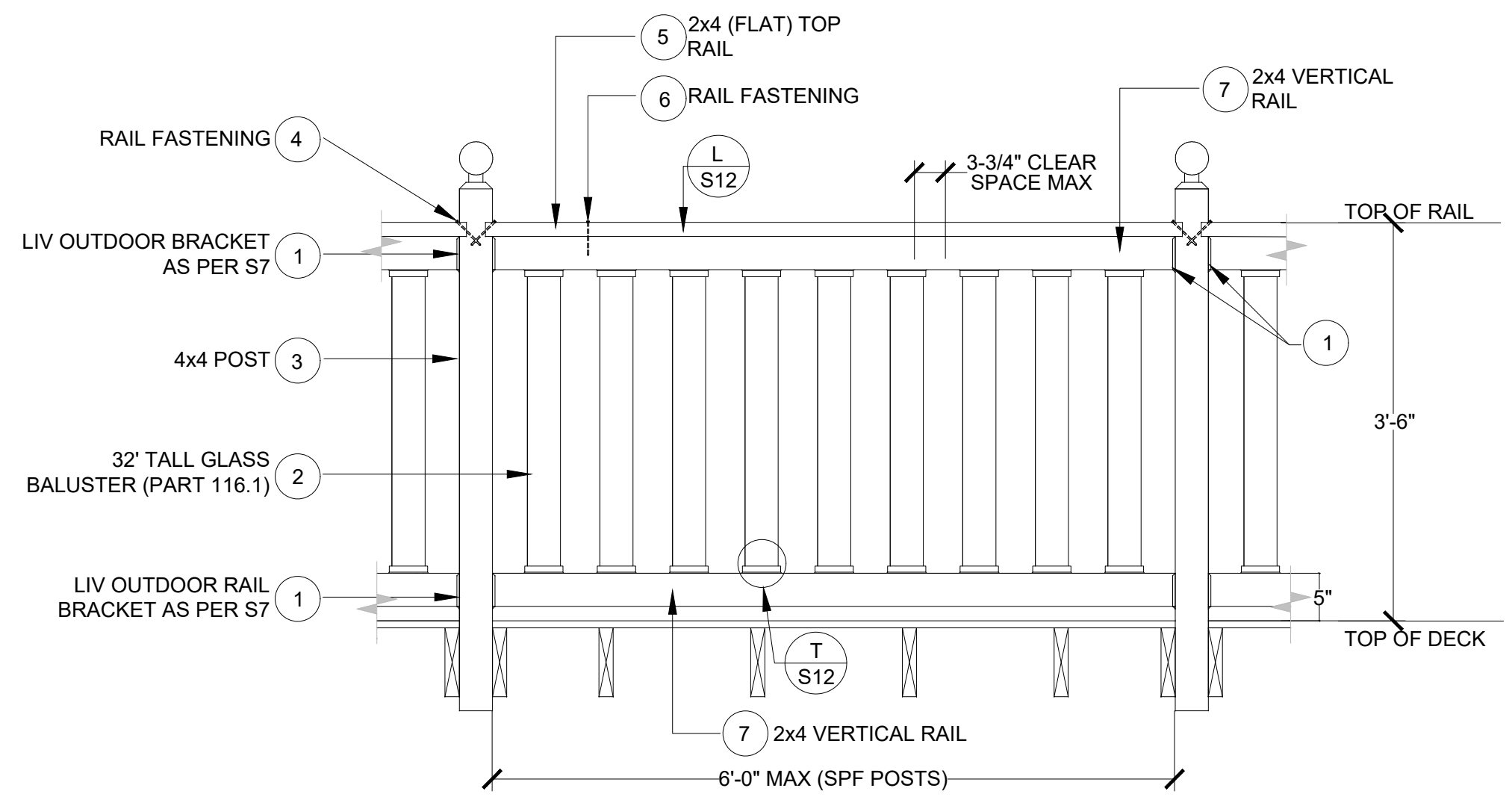
No.	ISSUE / REVISION	YY/MM/DD

ALL RIGHTS RESERVED, PROPERTY OF MOTUS CONSULT LTD., USE OR REPRODUCTION PROHIBITED WITHOUT PRIOR WRITTEN PERMISSION.

DECKORATORS RAILING SYSTEM

42" HIGH GUARD WITH BAROQUE BALUSTERS

DATE:	23-01-26	DRAWING No:	S9
SCALE:	NTS	DESIGNED:	
DRAWN:	JA	PROJECT No:	122055
REVIEWED:	BB		

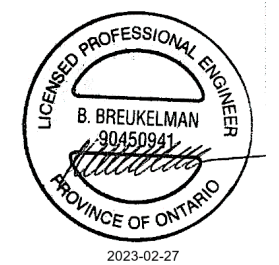


NOTE: THE MAXIMUM SPACING FOR CEDAR POSTS IS 3"-7" AS PER SB-7 OF THE ONTARIO BUILDING CODE.

REFER TO NOTES ON DRAWING S1.

J 42" GUARDS w/ GLASS BALUSTERS
 S10 SCALE: NTS

NOTE: DO NOT SCALE FROM DRAWING. ALL DIMENSIONS TO BE OBTAINED AND VERIFIED ON SITE.



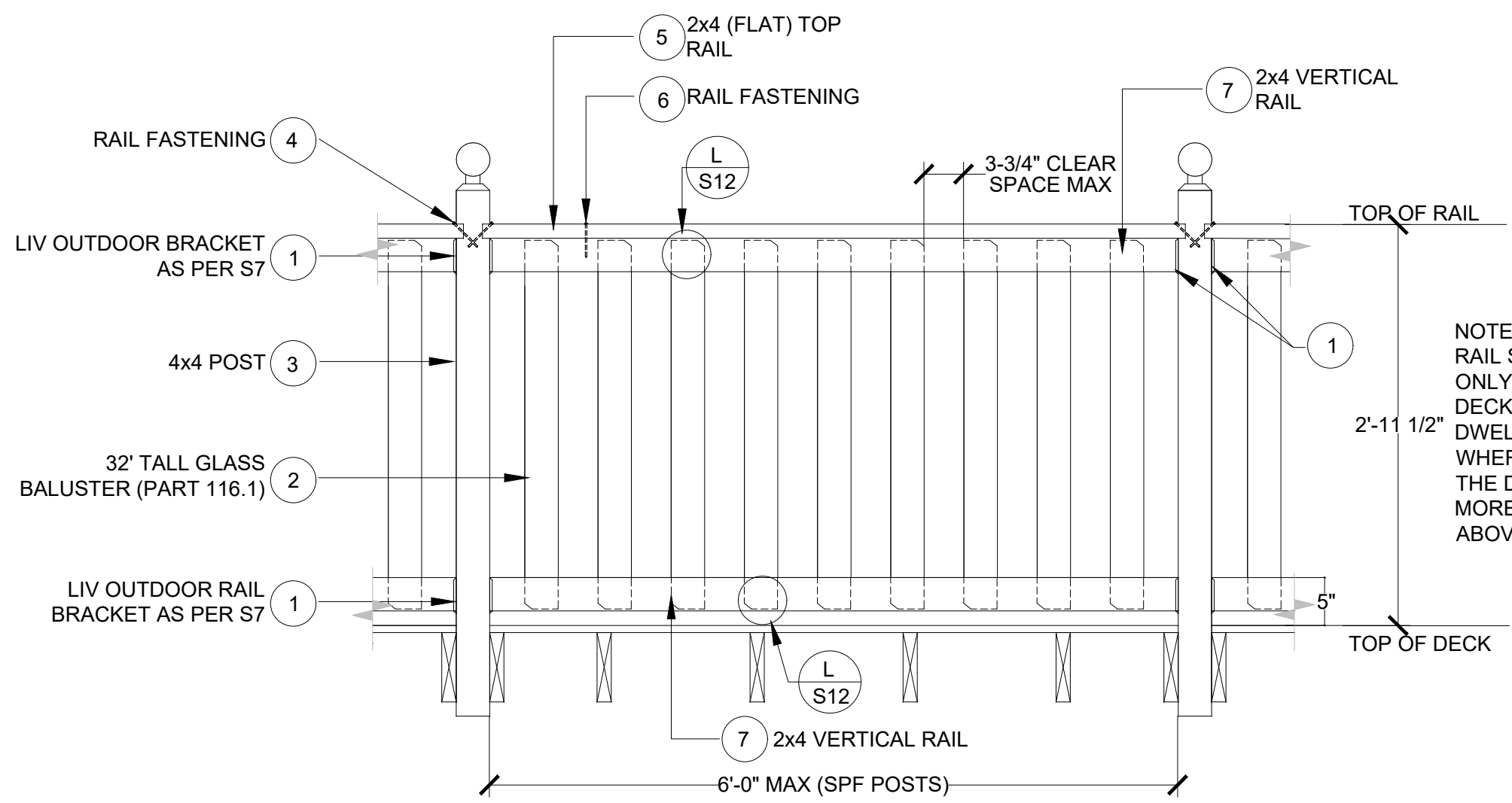
No.	ISSUE / REVISION	YY/MM/DD

ALL RIGHTS RESERVED, PROPERTY OF MOTUS CONSULT LTD., USE OR REPRODUCTION PROHIBITED WITHOUT PRIOR WRITTEN PERMISSION.

DECKORATORS RAILING SYSTEM

42" HIGH GUARD WITH GLASS BALUSTERS

DATE:	23-01-26	DRAWING No:	S10
SCALE:	NTS	DESIGNED:	
DRAWN:	JA	PROJECT No:	122055
REVIEWED:	BB		



NOTE: THE 2'-11¹/₂" HIGH RAIL SYSTEM MAY ONLY BE USED FOR DECKS SERVING ONE DWELLING UNIT AND WHERE THE TOP OF THE DECK IS NOT MORE THAN 5'-11" ABOVE GROUND LEVEL.

NOTE: THE MAXIMUM SPACING FOR CEDAR POSTS IS 3"-7" AS PER SB-7 OF THE ONTARIO BUILDING CODE.



REFER TO NOTES ON DRAWING S1.

K 35" GUARD WITH GLASS BALUSTERS
S11 SCALE: NTS

NOTE: DO NOT SCALE FROM DRAWING. ALL DIMENSIONS TO BE OBTAINED AND VERIFIED ON SITE.

PEO CERTIFICATE OF AUTHORIZATION: #100576633

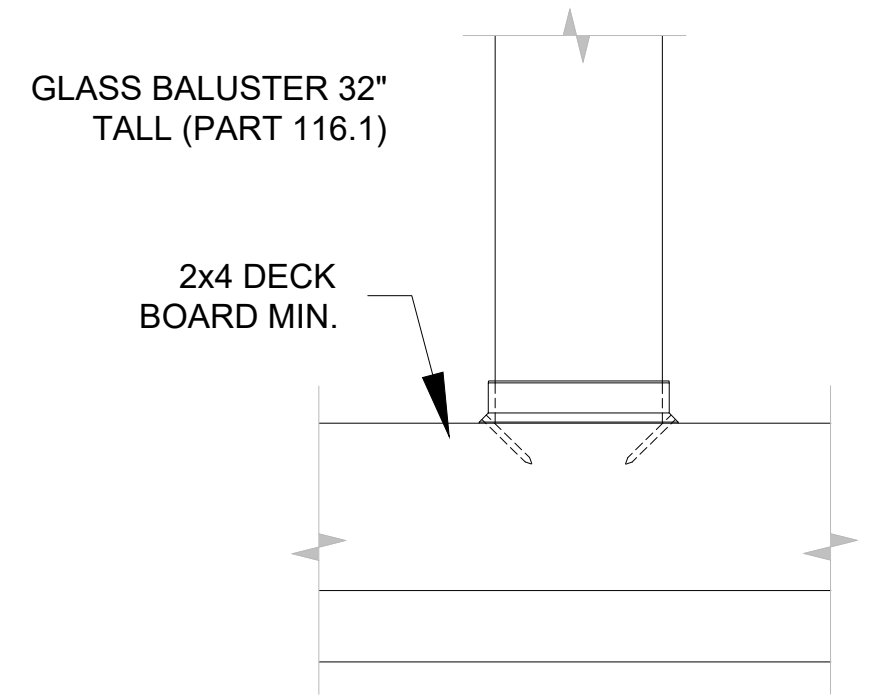
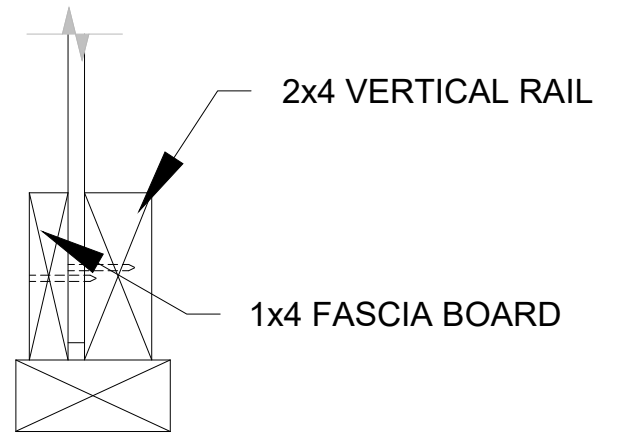
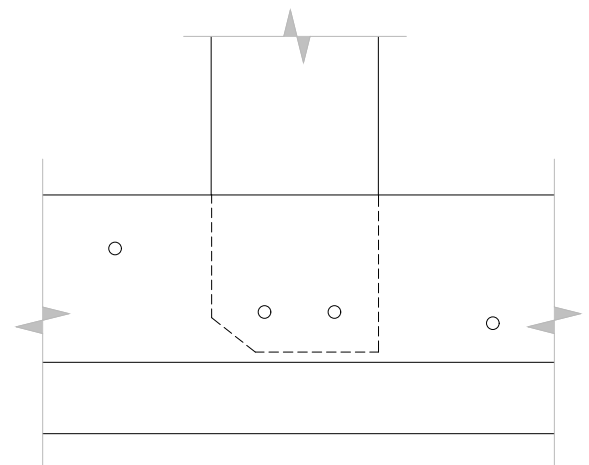
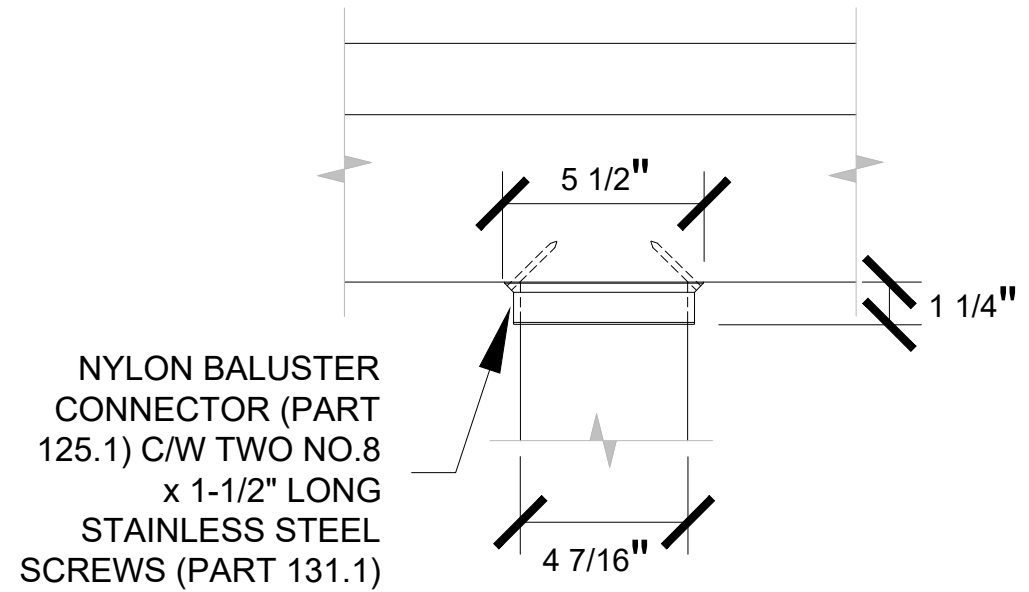
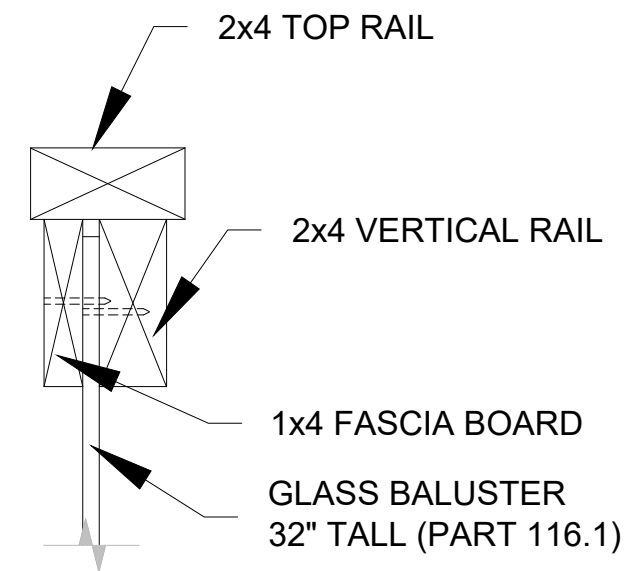
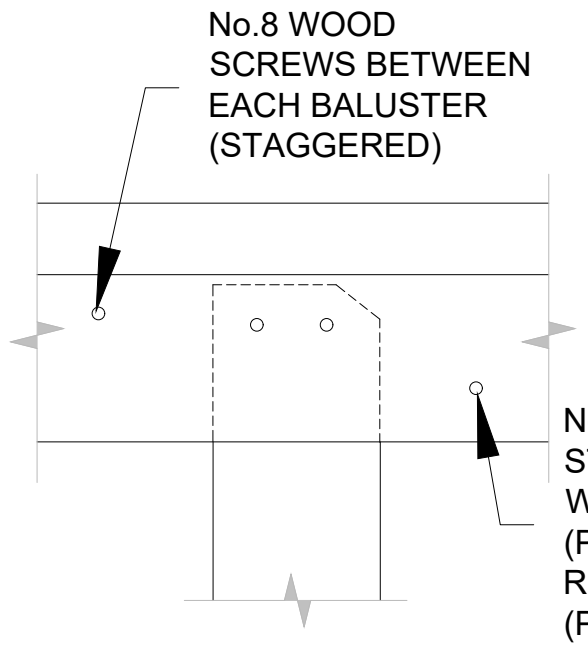
No.	ISSUE / REVISION	YY/MM/DD

ALL RIGHTS RESERVED, PROPERTY OF MOTUS CONSULT LTD., USE OR REPRODUCTION PROHIBITED WITHOUT PRIOR WRITTEN PERMISSION.

DECKORATORS RAILING SYSTEM

35" HIGH GUARD WITH GLASS BALUSTERS

DATE:	23-01-26	DRAWING No:	S11
SCALE:	NTS	DESIGNED:	
DRAWN:	JA	PROJECT No:	122055
REVIEWED:	BB		



No.	ISSUE / REVISION	YY/MM/DD

ALL RIGHTS RESERVED, PROPERTY OF MOTUS CONSULT LTD., USE OR REPRODUCTION PROHIBITED WITHOUT PRIOR WRITTEN PERMISSION.

DECKORATORS RAILING SYSTEM

GLASS BALUSTER CONNECTION DETAILS

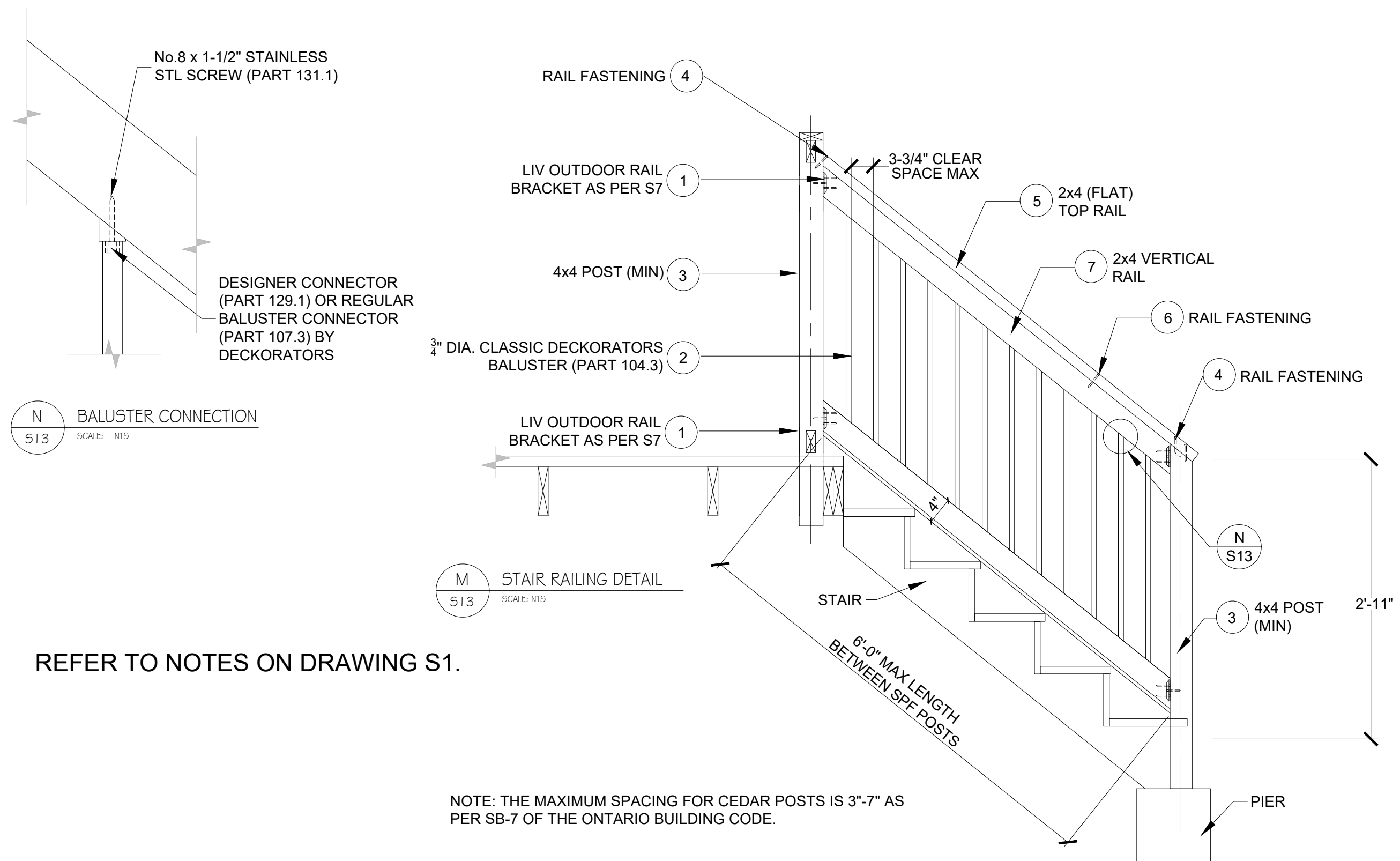
DATE:	23-01-26	DRAWING No:	S12
SCALE:	NTS	DESIGNED:	
DRAWN:	JA	PROJECT No:	122055
REVIEWED:	BB		

L GLASS BALUSTER CONNECTION
S12 SCALE: NTS

T ALT GLASS BALUSTER CONNECTION
S12 SCALE: NTS

REFER TO NOTES ON DRAWING S1.

NOTE: DO NOT SCALE FROM DRAWING. ALL DIMENSIONS TO BE OBTAINED AND VERIFIED ON SITE.



REFER TO NOTES ON DRAWING S1.

NOTE: THE MAXIMUM SPACING FOR CEDAR POSTS IS 3"-7" AS PER SB-7 OF THE ONTARIO BUILDING CODE.

NOTE: ESTATE BALUSTERS (PART 114.3) AND DESIGNER CONNECTOR (PART 108.1 AND 130.1) MAY ALSO BE USED WITH THIS DRAWING



No.	ISSUE / REVISION	YY/MM/DD

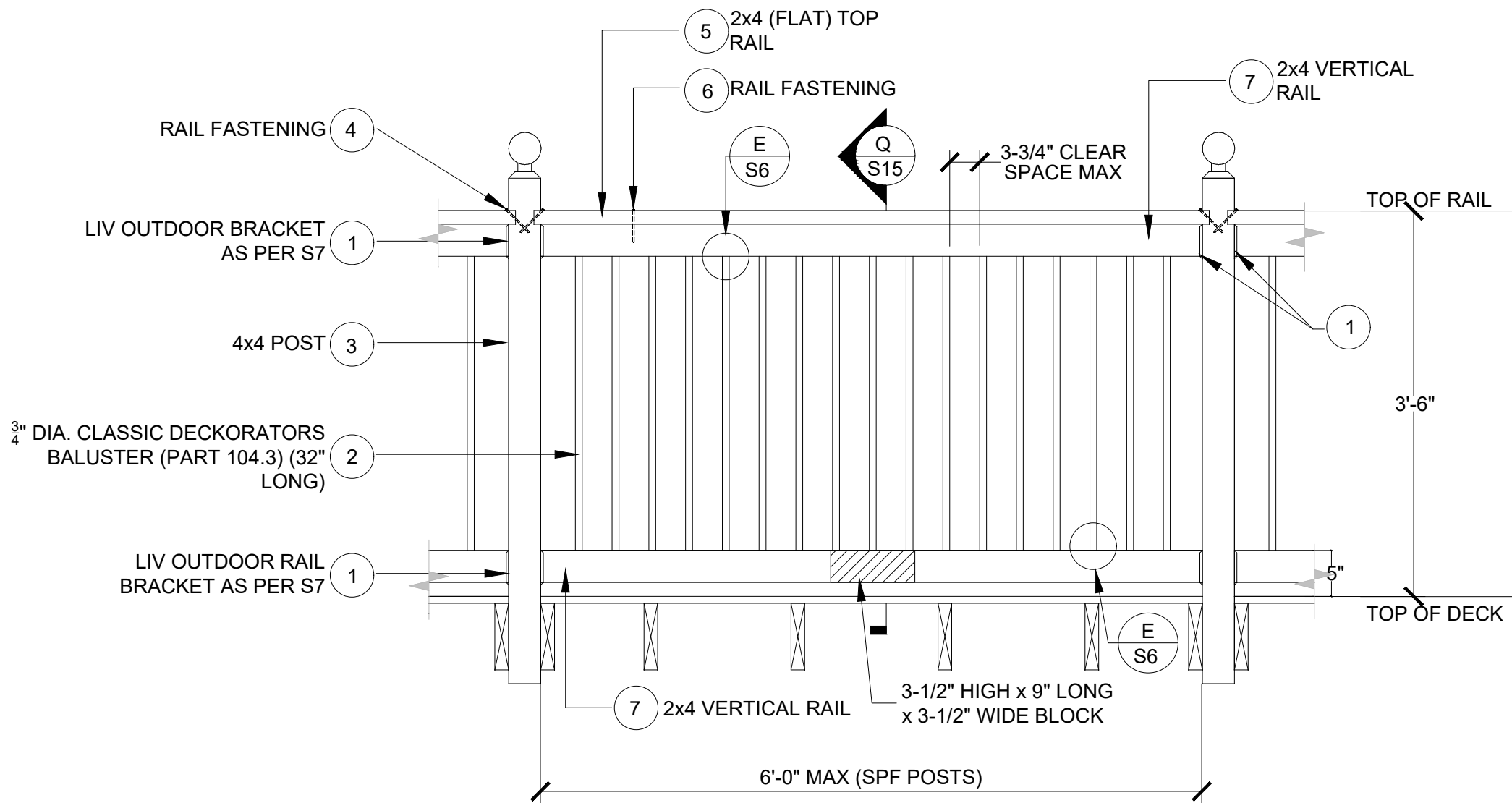
ALL RIGHTS RESERVED, PROPERTY OF MOTUS CONSULT LTD., USE OR REPRODUCTION PROHIBITED WITHOUT PRIOR WRITTEN PERMISSION.

DECKORATORS RAILING SYSTEM

STAIR RAILING DETAIL

DATE:	23-01-26	DRAWING No:	S13
SCALE:	NTS	DESIGNED:	
DRAWN:	JA	PROJECT No:	122055
REVIEWED:	BB		

NOTE: DO NOT SCALE FROM DRAWING. ALL DIMENSIONS TO BE OBTAINED AND VERIFIED ON SITE.



NOTE: THE MAXIMUM SPACING FOR CEDAR POSTS IS 3"-7" AS PER SB-7 OF THE ONTARIO BUILDING CODE.

NOTE: ESTATE BALUSTERS (PART 114.3) AND ESTATE CONNECTOR (PART 108.1) MAY ALSO BE USED WITH THIS DRAWING

P ALT 42" GUARD w/ CLASSIC BALUSTERS
S14 SCALE: NTS

REFER TO NOTES ON DRAWING S1.



No.	ISSUE / REVISION	YY/MM/DD

ALL RIGHTS RESERVED, PROPERTY OF MOTUS CONSULT LTD., USE OR REPRODUCTION PROHIBITED WITHOUT PRIOR WRITTEN PERMISSION.

DECKORATORS RAILING SYSTEM

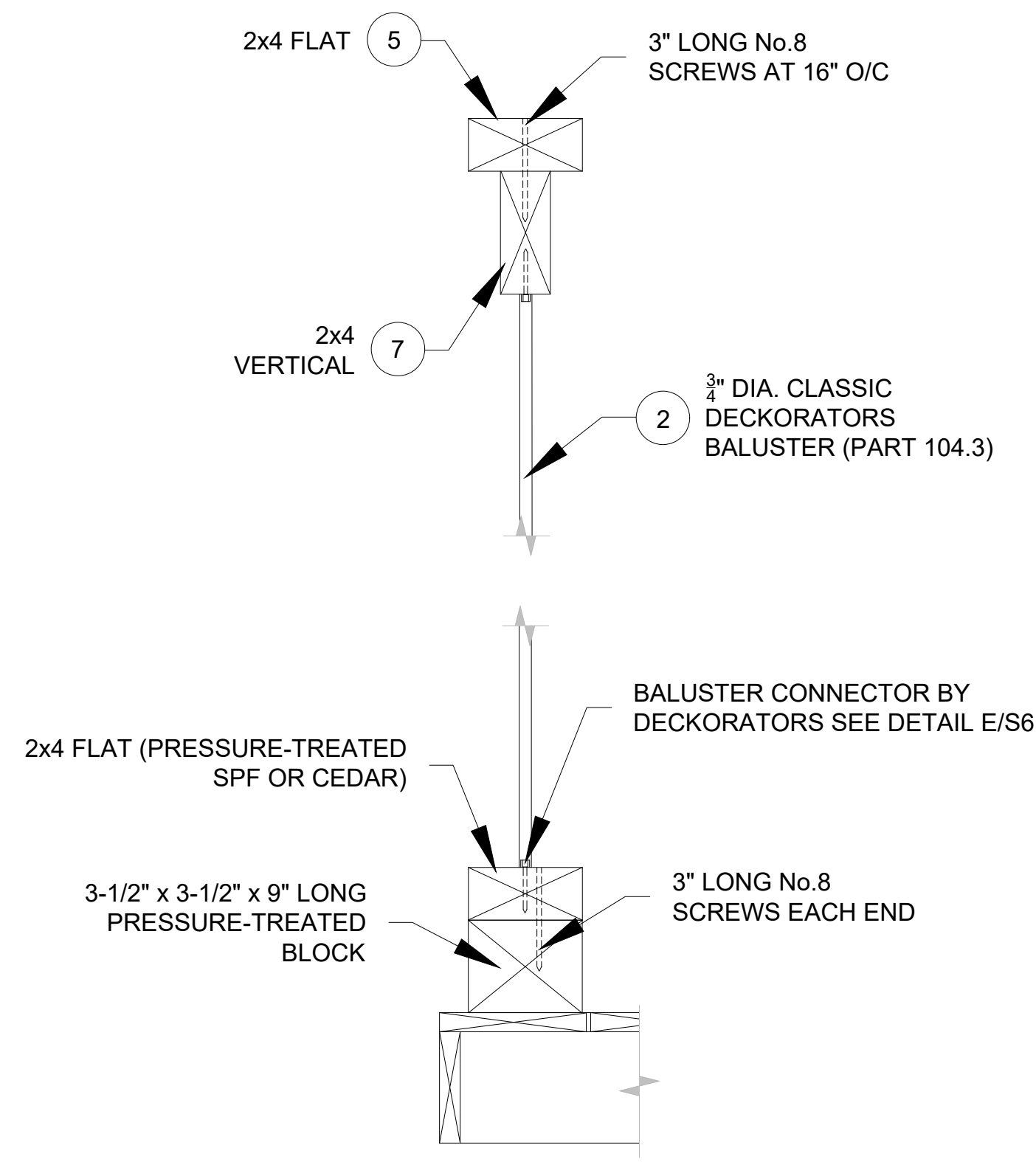
ALTERNATE 42" GUARD WITH 3-1/2" SPACE AT BOTTOM

DATE:	23-01-26	DRAWING No:	S14
SCALE:	NTS	DESIGNED:	
DRAWN:	JA	PROJECT No:	122055
REVIEWED:	BB		

NOTE: DO NOT SCALE FROM DRAWING. ALL DIMENSIONS TO BE OBTAINED AND VERIFIED ON SITE.



806 - 7015 MACLEOD TR. SW, CALGARY, AB



NOTE: ESTATE BALUSTERS (PART 114.3) AND ESTATE CONNECTOR (PART 108.1) MAY ALSO BE USED WITH THIS DRAWING.

REFER TO NOTES ON DRAWING S1.

Q SECTION THROUGH ALT 42" GUARD
S15 SCALE: NTS

NOTE: DO NOT SCALE FROM DRAWING. ALL DIMENSIONS TO BE OBTAINED AND VERIFIED ON SITE.



No.	ISSUE / REVISION	YY/MM/DD

ALL RIGHTS RESERVED, PROPERTY OF MOTUS CONSULT LTD., USE OR REPRODUCTION PROHIBITED WITHOUT PRIOR WRITTEN PERMISSION.

DECKORATORS RAILING SYSTEM

ALTERNATE CLASSIC BALUSTER AND RAIL DETAIL

DATE:	23-01-26	DRAWING No:	S15
SCALE:	NTS		
DESIGNED:			
DRAWN:	JA	PROJECT No:	122055
REVIEWED:	BB		

PEO CERTIFICATE OF AUTHORIZATION: #100576633