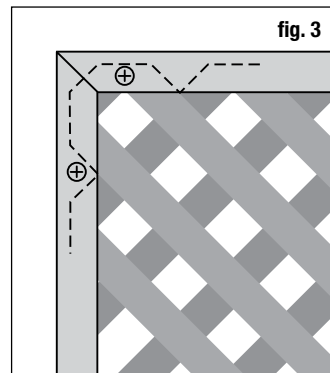
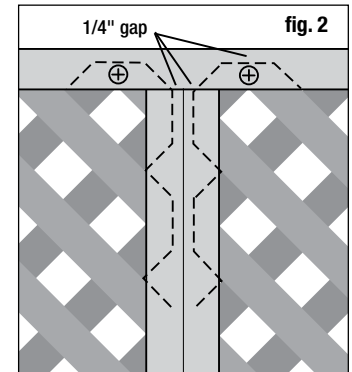
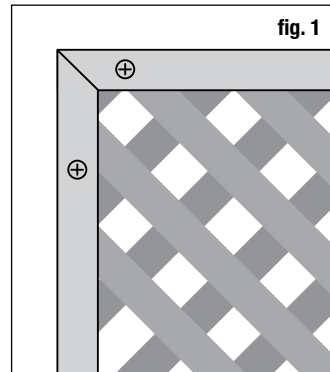




PLASTIC LATTICE INSTALLATION TIPS

Installation Tips

- Deckorators plastic lattice can be cut and drilled using standard tools.
- Use rustproof or rust-resistant fasteners to maintain the beauty of your project over time.
- For a distinguished look, frame panels with plastic caps and connect panels with plastic dividers (fig. 1).
- Always allow a 1/4" gap between the lattice edge and moulding for the panel to expand and contract with temperature changes (fig. 2).
- Lattice must be attached to a self-supporting structure or frame. Suspend lattice from top row of fasteners.
- Along the top, **predrill oversized holes** every two feet through both the moulding and lattice with a 1/4" drill bit and fasten with screws. Do not overtighten screws.
- Along the sides and bottom, predrill oversized holes every two feet through the moulding only and fasten with screws. **DO NOT overtighten screws (fig. 3).**
- **DO NOT** install lattice in a horizontal application. Without proper support, lattice will be prone to sagging, rippling and heat retention.



Finishing

Deckorators lattice is a nonporous material. Coatings such as paints and stains do not adhere well to the surface.

Plastic Lattice Painting Tips

Materials Needed

- Aerosol paint
- Plastic lattice sheet

STEP 1

Clean the surface of the paintable plastic lattice sheet with a solution of warm water and dish soap.

Rinse and allow to dry.

STEP 2

Apply two thin coats of primer for plastic over the entire surface, as instructed on the can. Allow to dry between coats. Paint for plastic can be used without primer per product instructions.

STEP 3

Once dry, apply a thin coat of any aerosol paint over the entire surface, per product directions. Allow to dry as directed.

STEP 4

Apply a second coat of aerosol paint over entire lattice sheet. Allow to dry as directed.

This information is given in good faith, without warranty and for guidance purposes only, since the nature and quality of the paint or primer purchased by consumer is out of UFP's control. Under no circumstances should these instructions be followed if they are contrary to the instructions or advice of the primer or paint manufacturer.

THE DIAGRAMS AND INSTRUCTIONS IN THIS BROCHURE ARE FOR ILLUSTRATION PURPOSES ONLY AND ARE NOT MEANT TO REPLACE A LICENSED PROFESSIONAL. ANY CONSTRUCTION OR USE OF THE PRODUCT MUST BE IN ACCORDANCE WITH ALL LOCAL ZONING AND/OR BUILDING CODES. THE CONSUMER ASSUMES ALL RISKS AND LIABILITY ASSOCIATED WITH THE CONSTRUCTION OR USE OF THIS PRODUCT. THE CONSUMER OR CONTRACTOR SHOULD TAKE ALL NECESSARY STEPS TO ENSURE THE SAFETY OF EVERYONE INVOLVED IN THE PROJECT, INCLUDING, BUT NOT LIMITED TO, WEARING THE APPROPRIATE SAFETY EQUIPMENT. EXCEPT AS CONTAINED IN THE WRITTEN LIMITED WARRANTY, THE WARRANTOR DOES NOT PROVIDE ANY OTHER WARRANTY, EITHER EXPRESS OR IMPLIED, AND SHALL NOT BE LIABLE FOR ANY DAMAGES, INCLUDING CONSEQUENTIAL DAMAGES.