

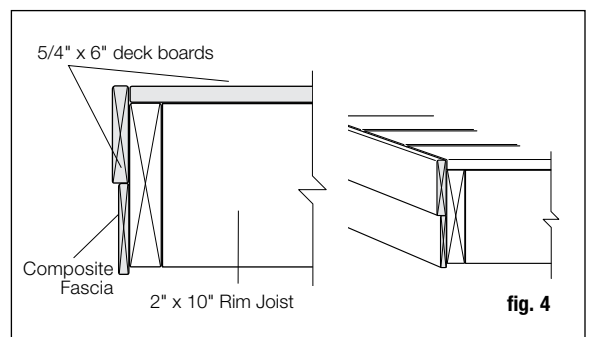
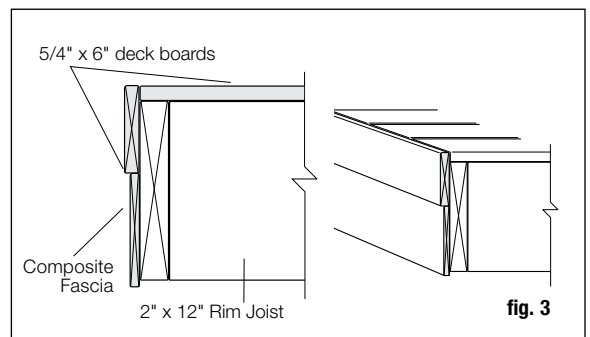
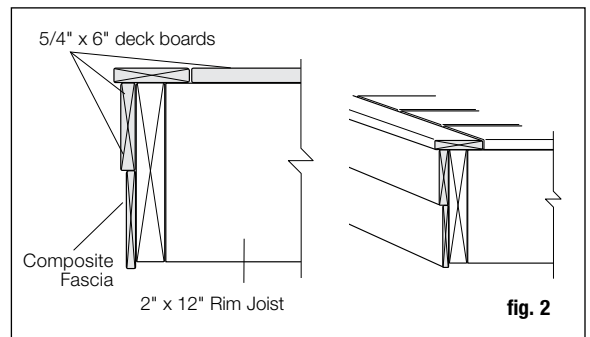
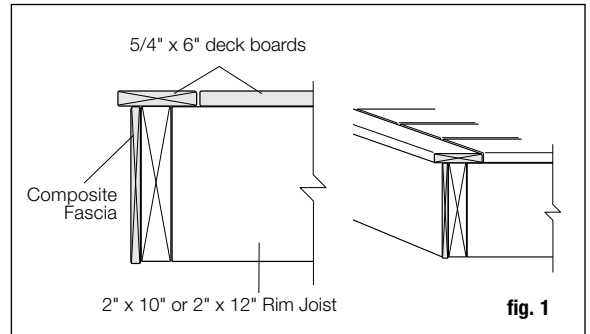
Tools and Items Needed

- Drill/power screwdriver
- 1/8" drill bit
- Circular saw with carbide-tip blade
- 2½" composite wood deck screws
- Tape measure
- Carpenter's pencil
- Safety glasses/goggles
- Notice to installers**
- DO NOT use cordless impact drivers
- Set drill speed to 1500-1750 RPM
- Max torque not to exceed 23 inch pounds
- Pre-drill knots or dense hardwood

Attach fascia to the rim joist using 3 screws spaced no further apart than 16" on-center. Fasten the fascia from one end to the other, or from the center out to each end. Never fasten the fascia from both ends to the center. Leave a 1/8" space between the fascia ends where two pieces meet or wherever a piece meets a solid surface (i.e., a corner or a building wall) to allow for expansion of the material. Use one of the recommended installation configurations below for best results. Do not install fascia board flush with decking that runs perpendicular (see figures 1-4 for possible configurations to conceal 2x10 and 2x12 joists).

Note: Deckorators decking is not suitable for structural use. It should not be used for primary load-bearing members such as posts, joists, beams or stringers. The same common sense precautions should be taken when handling Deckorators products as with any wood or other building materials. Dust masks and eye protection devices are recommended to avoid possible irritation from sawdust and chips. Gloves will help protect hands. Hands should be washed after construction work.

Note: Always follow best workmanship practices. Including, and not limited to, square cutting both board ends prior to installation.



THE DIAGRAMS AND INSTRUCTIONS IN THIS BROCHURE ARE FOR ILLUSTRATION PURPOSES ONLY AND ARE NOT MEANT TO REPLACE A LICENSED PROFESSIONAL. ANY CONSTRUCTION OR USE OF THE PRODUCT MUST BE IN ACCORDANCE WITH ALL LOCAL ZONING AND/OR BUILDING CODES. THE CONSUMER ASSUMES ALL RISKS AND LIABILITY ASSOCIATED WITH THE CONSTRUCTION OR USE OF THIS PRODUCT. THE CONSUMER OR CONTRACTOR SHOULD TAKE ALL NECESSARY STEPS TO ENSURE THE SAFETY OF EVERYONE INVOLVED IN THE PROJECT, INCLUDING, BUT NOT LIMITED TO, WEARING THE APPROPRIATE SAFETY EQUIPMENT. EXCEPT AS CONTAINED IN THE WRITTEN LIMITED WARRANTY, THE WARRANTOR DOES NOT PROVIDE ANY OTHER WARRANTY, EITHER EXPRESS OR IMPLIED, AND SHALL NOT BE LIABLE FOR ANY DAMAGES, INCLUDING CONSEQUENTIAL DAMAGES.