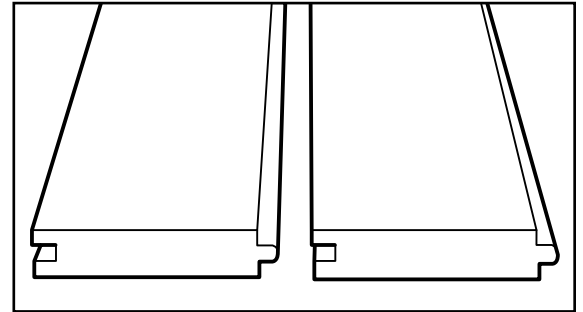


Tools and Items Needed

- Safety glasses
- Pencil or pen
- Tape measure
- Utility knife
- Jigsaw
- Carpenter's square (speed square)
- Power screw gun or drill
- Flooring nailer
- Soft mallet
- Portable power saw
- Fine-tooth saw blades (40-tooth minimum, sharp carbide-tipped wood or finish/trim blades)
- Large file or medium-grit sandpaper
- Chalk line
- Spacing tools
- Fastener-specific tools recommended by manufacturer



Decorators® porch flooring has a unique appearance and should be arranged according to the end user's preference. Prior to construction, check with your local regulatory agency's code requirements. For best results, follow all installation instructions, paying close attention to gapping, spacing and fastener requirements.

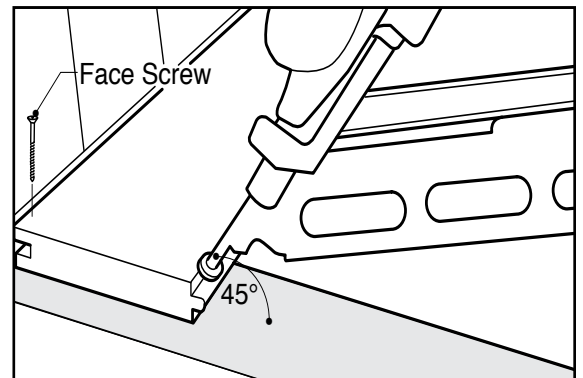
Decorators porch flooring is a one-sided product and must be installed with the embossed surface up. Decorators porch flooring must be installed over a code-compliant substructure and is not intended to support structural columns or porch posts. Structural support for columns and porch posts must be incorporated into the substructure design. Decorators porch flooring is not intended to be used in applications that require a watertight surface. Caulk and adhesives should not be used in the tongue and groove. Painting is not recommended.

Joist Spacing Requirements

Standard	Picture Frame	Diagonal (45°)
16"	16"	12"

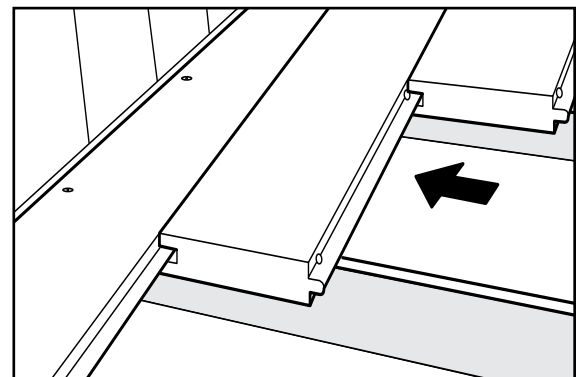
Gapping Requirements

	Above 32°F (0°C)	Below 32°F (0°C)
End-to-End	1/8"	3/16"
End-to-Side	1/8"	3/16"
Abutting Solid Objects	1/8"	1/4"



Cutting

- 10" 40T, 80T circular blade.
- 12" 40T, 72T, 80T circular blade.
- Upcut with a clean/smooth jigsaw blade.
- Cut porch flooring with the leading edge of the saw blade, cutting into the exposed face. Use a sharp utility knife or jigsaw to finish cuts where a circular saw cannot fully complete cut.
- Use a jigsaw to cut openings to protrusions.
- If necessary, use a large file or medium-grit sandpaper to clean cut edges.
- Use a utility knife to cut any fibers or strands. (In the rare even that a strand or fiber protrudes from the board, do not pull it.)



Note: Always follow best workmanship practices. Including, and not limited to, square cutting both board ends prior to installation.

Fastener Requirements

- For best results, use a 2" SS "L" or "T" shape cleat nails.
- Where face fasteners are used, use corrosion-resistant, galvanized or stainless steel fasteners.
- #8x2" SS trim head screws.
- Reverse thread composite screws.
- Set power driver such that screws are slightly counter sunk. Do not overdrive.

- If using a hidden fastener system, use the manufacturer's recommended fastener and follow the manufacturer's instructions.
- One fastener per joist minimum.
- Ends of each board must fall on a joist.
- Double joist or use blocking where two board ends meet.
- 1" maximum cantilever.
- Install entire porch at same temperature.
- Square the first board to the house, paying attention to gapping requirements, and secure in place using face screws on the groove side.
- The tongue side is fastened using cleat nails with a flooring nailer, or screws. *If using screws, insert the screw just above the tongue at a 45° angle and counter sink the screw 1/6" into the material to allow for the next board. If using a flooring nailer, ensure the nailer is properly seated on the tongue side of board and drive cleat into the board, following the proper nailer instructions. If the nailer is not properly seated it could cause difficulty installing the next board and in some instances, even cause blemishes on the surface of the porch flooring.*
- Install the porch flooring starting from the outside edge of the platform and work toward anchor wall so that ripped pieces abut the wall.
- Start installing from one end of the board and work toward the other end of the board. **OR:** Start installing from the center of the board and work out toward the ends of the board. Do not install by fastening each end first and working toward the middle.
- Continue installing porch flooring, adhering to the gapping requirements. *Note: **ONLY** Deckorators Frontier and Vault decking material and porch flooring, manufactured with Eovations™ technology, may be installed in contact with the ground or incidental submersion in water when a project design requires those conditions.*

Like most composites, Deckorators porch flooring will have color variations from piece to piece. This is due to naturally occurring variations in polymers. Purchasing all required porch flooring material at one time is recommended, as manufacturing runs can produce slightly different colors. Do not install if color variation is not acceptable.

Mold and mildew can be a nuisance on any exterior building surface, regardless of the material. If the conditions are right, they will grow on wood, plastic, concrete, metal and other surfaces. Mold formation is most prevalent in consistently wet, shaded areas. Spores from the natural environment are carried by the wind and commonly land on porch surfaces. It is important to note that the appearance of mold/mildew is a function of nature, not necessarily a deficiency with any of the material on which it grows.

Periodic washing with soap/mild detergent and water will help remove surface dirt. This will also help prevent the buildup of pollen, debris and spores that can cause and accelerate mold/mildew growth. *Caution: A pressure washer should not be used to "blast" mold/mildew or soils from a porch surface. The abrasive nature of the water stream can potentially cause damage by driving the spores deeper into the material, which may create a more challenging problem to remedy. The water stream can also cut into the surface of the board if it is too intense. A pressure washer with a fan-tipped nozzle should be used only to lightly wet or rinse wood or composite porch surfaces.*

There are many deck/porch wash and exterior cleaning products available at retail. It is important to make sure you use a cleaner specifically intended for your application. After selecting a product, be certain to read, understand and follow all instructions supplied by the manufacturer. Some cleaning products and inhibitors may be more effective than others, depending on the environmental conditions your porch is subjected to. Additionally, it is always a good idea to test the cleaner in a small, inconspicuous area prior to applying it to the entire porch (www.deckorators.com).

As with deck/porch washes, there are several mold-inhibitor products available from paint stores, hardware stores, online outlets and home centers to help prevent long-term mold/mildew growth. For any product selected, be certain to read, understand and follow all instructions provided by the manufacturer. Depending upon the environmental factors affecting your porch, some preventive cleaning products may be more effective than others. It may be necessary to try more than one product. For ongoing preventive maintenance, follow the manufacturer's recommendation.

Note: Deckorators is not suitable to structural use. It should not be used for primary load-bearing members such as posts, joists, beams or stringers. The same commonsense precautions should be taken when handling Deckorators as with wood or other building materials. Dust masks and eye protection devices are recommended to avoid possible irritation from sawdust and chips. Gloves will help protect hands. Hands should be washed after construction work.

THE DIAGRAMS AND INSTRUCTIONS IN THIS BROCHURE ARE FOR ILLUSTRATION PURPOSES ONLY AND ARE NOT MEANT TO REPLACE A LICENSED PROFESSIONAL. ANY CONSTRUCTION OR USE OF THE PRODUCT MUST BE IN ACCORDANCE WITH ALL LOCAL ZONING AND/OR BUILDING CODES. THE CONSUMER ASSUMES ALL RISKS AND LIABILITY ASSOCIATED WITH THE CONSTRUCTION OR USE OF THIS PRODUCT. THE CONSUMER OR CONTRACTOR SHOULD TAKE ALL NECESSARY STEPS TO ENSURE THE SAFETY OF EVERYONE INVOLVED IN THE PROJECT, INCLUDING, BUT NOT LIMITED TO, WEARING THE APPROPRIATE SAFETY EQUIPMENT. EXCEPT AS CONTAINED IN THE WRITTEN LIMITED WARRANTY, [UNIVERSAL CONSUMER PRODUCTS, INC.] DOES NOT PROVIDE ANY OTHER WARRANTY, EITHER EXPRESS OR IMPLIED, AND SHALL NOT BE LIABLE FOR ANY DAMAGES, INCLUDING CONSEQUENTIAL DAMAGES.