

GENERAL INFORMATION

Install all luminaires 10 feet or more from a pool, spa or fountain.
 For use with 12-volt, low-voltage outdoor landscape lighting system only.
 Read and understand the instructions completely before installing.
 There are multiple options for wiring a deck and many factors that will determine which is best.
 For information on specific railing types, visit decorators.com.

BEFORE YOU START

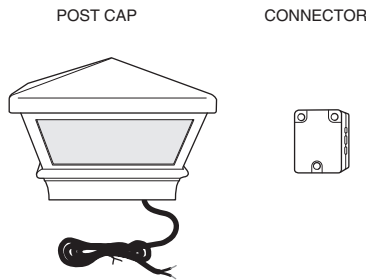
- Check with your local regulatory agency for special code requirements in your area.
- Make sure electrical current is turned off.
- Make sure that the total wattage of the low voltage lighting system does not exceed the wattage of the transformer. *Refer to chart.*
- Determine the appropriate gauge of low voltage cable by measuring the distance from the furthest light, in series, back to where the transformer will be mounted. *Refer to chart.*

Decorators Component (EA)	Wattage
Low Voltage Post Cap Light	1.0W
Lighted Willow Baluster	0.25W
Lighted Square Baluster	0.25W
Recessed Light	0.25W

Use Cable	For length up to	For Wattage up to
16 gauge	50 feet	150 Watts
14 gauge	150 feet	200 Watts
12 gauge	200 feet	300 Watts

COMPONENTS

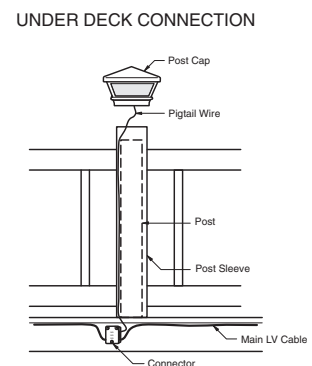
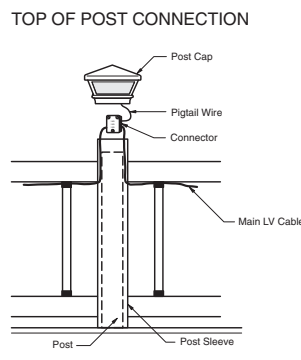
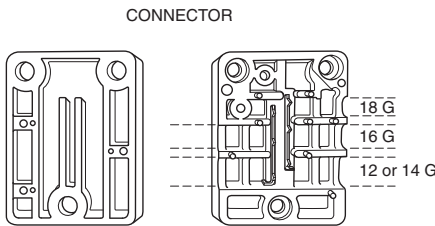
- A - Low Voltage Post Cap Light
- B - 6' 18-gauge pigtail wire connected to the post cap
- C - Cable Connector



TOOLS NEEDED

- Low Voltage Cable (available separately from Decorators)
- 12V Transformer or Power Supply (available separately from Decorators)
- Construction adhesive
- Drill/power screwdriver
- Assorted drill bits
- 2" Forstner bit
- Hammer
- Miter or circular saw with fine-tooth carbide tip blade
- Measuring tape
- Carpenter's pencil
- Wire cutters

INSTALLATION



- Prepare the top of the post for the post cap light. For new construction, trim the supporting post 2" shorter than the height of the post sleeve to house excess pigtail wire. For existing railing, drill a hole at least 2" deep in the center of the supporting post with a 2" Forstner bit.
 - Run your main low voltage cable either under the deck around the perimeter of the deck structure or beneath the top rail.
 - Cut the pigtail wire to the appropriate length, leaving an extra 1-1/2" of wire that will run inside the cable connector.
 - Connect the pigtail wire to the main low voltage cable using the included cable connector.
 - Remove the three screws and open up the connector.
 - Find the channel that is marked with the gauge of the main low voltage supply. Remove the channel insert and lay the main low voltage cable in the channel.
 - Insert the pigtail wire connected to the post cap light into the area marked 18G. The pigtail wire will terminate inside the connector.
 - Close the connector, reinsert the screws and tighten to close. This action causes the connector to pierce the wires.
1. Adjust the post cap frame by inserting or removing the included inserts so the post cap fits correctly on the post sleeve. Do not permanently attach the post cap at this point.
 2. Connect the low voltage cable to the transformer following the instructions provided with the transformer. Turn on power to verify the system works.
 3. Turn off power. Apply construction adhesive to the underside of the post cap and place firmly on the post sleeve.

The diagrams and instructions in this brochure are for illustration purposes only and are not meant to replace a licensed professional. Any construction or use of the product must be in accordance with all local zoning and/or building codes. The consumer assumes all risks and liability associated with the construction or use of this product. The consumer or contractor should take all necessary steps to ensure the safety of everyone involved in the project, including, but not limited to, wearing the appropriate safety equipment. EXCEPT AS CONTAINED IN THE WRITTEN LIMITED WARRANTY, THE WARRANTOR DOES NOT PROVIDE ANY OTHER WARRANTY, EITHER EXPRESS OR IMPLIED, AND SHALL NOT BE LIABLE FOR ANY DAMAGES, INCLUDING CONSEQUENTIAL DAMAGES.