

Complete Gate Contents

- 1 – 33" tall x 42" wide welded railing panel (A)
- 1 – Latch side support with connectors and fasteners (B)
- 2 – Hinge side support with connectors and fasteners (C)
- 1 – Toggle latch with fasteners (D)
- 2 – Tru-close hinges with fasteners (E)

Jamb Kit Contents

- 1 – Latch side support with connectors and fasteners (B)
- 1 – Hinge side support with connectors and fasteners (C)
- 1 – Toggle latch with fasteners (D)
- 2 – Tru-close hinges with fasteners (E)

Items you will need

- | | |
|--|--------------------------------------|
| • Drill/power screwdriver | • Carpenter's pencil |
| • Quick clamps | • Adjustable wrench or socket wrench |
| • Miter or circular saw with carbide tip blade | • Safety glasses/goggles |
| • Marked speed square | • Rubber mallet |
| • Carpenter's level | • Tape measure |
| | • 3" high blocks |

Note: The Jamb Kit is designed for use with ALX Contemporary welded railing, for gate openings up to 48". Use an ALX Contemporary welded railing section (sold separately), and cut to size for a matching gate.

Step 1 Measure opening between posts. Complete Gate will fit openings to 48".

Step 2 The gate hinges can accommodate gaps from 1/4" – 7/8", but 3/4" is ideal. The latch can accommodate gaps from 3/8" – 1-3/4". Determine the desired spacing and subtract from opening. 1-3/4" is recommended but can range from 5/8" to 2-1/2" (fig. 1).

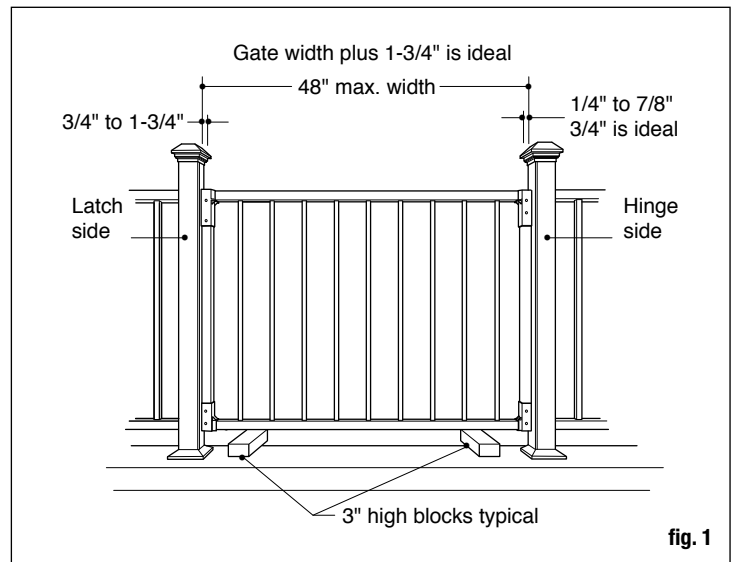


fig. 1

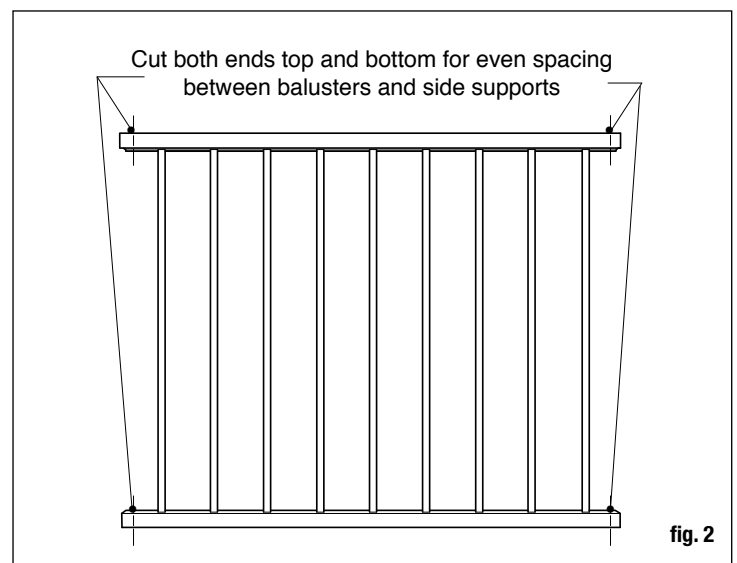


fig. 2

Step 3 With side supports and connectors (B & C) inserted into top and bottom rails measure gate width and determine amount to be trimmed. Remove side supports and connectors. Lay gate panel (A) on a flat, non-marring surface.

Step 4 Cut top and bottom rails to the same length.

Step 5 The side support connectors are designed so that the hinges and latch will be positioned directly over the vertical part of the connectors. They are predrilled, one side for the latch, one side for the hinges (the latch connector has wider screw spacing). Determine which side the hinges will be located on. Assemble the side supports to the connectors using the included screws. Predrill holes using a 1/8" HSS (High Speed Steel) drill bit. Do not connect the face that will hold the hinges and latch.

Step 6 Attach the side supports to the gate panel (A) using 2 screws through the underside of the top and bottom rails into the splice on the side support connectors. Use quick clamps to hold the sides tight while you fasten the screws. Predrill holes using a 1/8" HSS (High Speed Steel) drill bit. Use care to avoid marring the post with the drill chuck. Turning the gate upside down may make this step easier (fig. 3).

Step 7 Position the hinges over the predrilled holes. Attach the hinges to the gate using the screws provided with the hinges.

Step 8 Prop the gate by positioning precut blocks beneath the bottom rail and between the posts (fig. 1). Spacing of 3" is typical but can be more, or less as allowed by local building codes. Per the model building code all gaps must be less than 4". Ensure bottom of gate will be high enough to clear any obstacles, such as post base trim, if applicable.

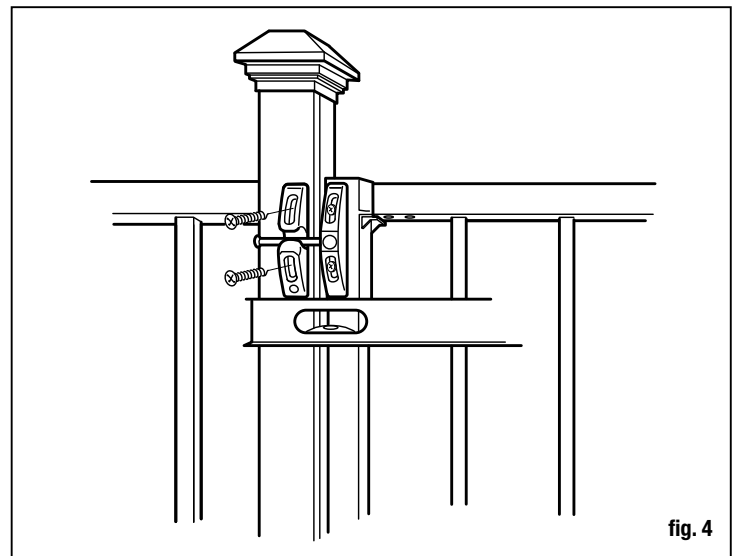
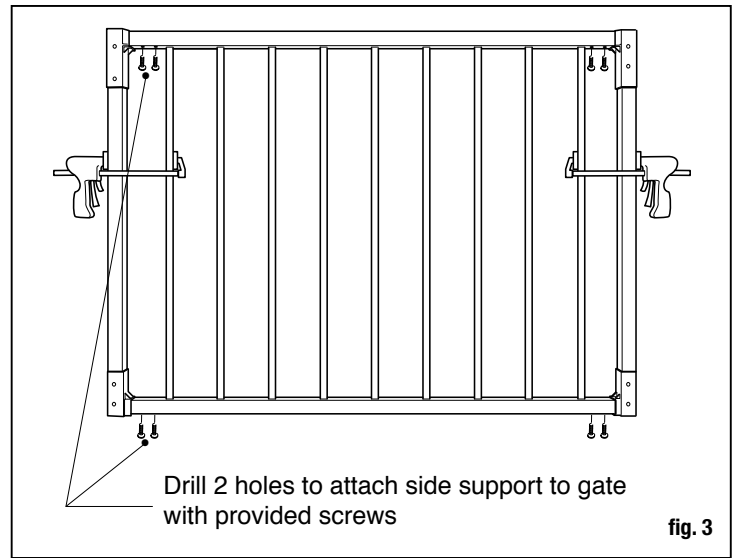
Step 9 Make sure gate is plumb and level and attach hinges (E) to post.

Step 10 Assemble the latch for right-hand or left-hand operation.

Step 11 Position the latch (D) over the predrilled holes. Check for level and attach the latch using the screws provided with the latch and positioned in the center of the screw slots.

Step 12 Close the gate and using a level, mark the top of the latch on the adjacent post. Position the catch and attach to adjacent post. (fig. 4).

Step 13 Ensure proper operation of the gate. Hinge tension is adjustable. See hardware kit instructions for details.



THE DIAGRAMS AND INSTRUCTIONS IN THIS BROCHURE ARE FOR ILLUSTRATION PURPOSES ONLY AND ARE NOT MEANT TO REPLACE A LICENSED PROFESSIONAL. ANY CONSTRUCTION OR USE OF THE PRODUCT MUST BE IN ACCORDANCE WITH ALL LOCAL ZONING AND/OR BUILDING CODES. THE CONSUMER ASSUMES ALL RISKS AND LIABILITY ASSOCIATED WITH THE CONSTRUCTION OR USE OF THIS PRODUCT. THE CONSUMER OR CONTRACTOR SHOULD TAKE ALL NECESSARY STEPS TO ENSURE THE SAFETY OF EVERYONE INVOLVED IN THE PROJECT, INCLUDING, BUT NOT LIMITED TO, WEARING THE APPROPRIATE SAFETY EQUIPMENT. EXCEPT AS CONTAINED IN THE WRITTEN LIMITED WARRANTY, THE WARRANTOR DOES NOT PROVIDE ANY OTHER WARRANTY, EITHER EXPRESS OR IMPLIED, AND SHALL NOT BE LIABLE FOR ANY DAMAGES, INCLUDING CONSEQUENTIAL DAMAGES.