

⚠ WARNING!

- Use extra caution when using power tools. Always use safety tools when cutting or drilling components.
- Not for load-bearing use. Do not use as supports for structures (including pergolas and roofs) or furniture (including hammocks and porch swings).
- Post extension is designed to attach to Deckorators ALX guardrail posts that are securely fastened to a deck or walking surface. Do not use if posts are insecure or are attached to a structure that is in poor condition.
- When hanging string lights, consult local electrical code requirements, closely follow all instructions included with the lights, and consult a licensed electrical contractor if you have questions.
- Prior to installation, ensure that no people, animals, furniture, or other objects are below the railing.
- Do not install during high wind or inclement weather conditions.

Tools and Items Needed

- | | |
|--|--------------------------|
| • Drill/power screwdriver | • Safety glasses/goggles |
| • Miter or circular saw with carbide tip blade | • Rubber mallet |
| • Carpenter's pencil | • Tape measure |

Contents

- 1 – 2.5" x 66" Aluminum Post Extension with coupler
- 8 – Screws
- 1 – Stainless steel pad eye with screws
- 1 – Stainless steel snap link

Note: The Aluminum Post Extension is designed to be used with a Deckorators 2.5" Post.

Step 1 Determine the desired finished height of the post. The post extension is 66" long, creating an 8' - 9" tall post if used with a 39" post and a 9' - 2" tall post if used with a 44" post. Cut the post extension to the desired finished height.

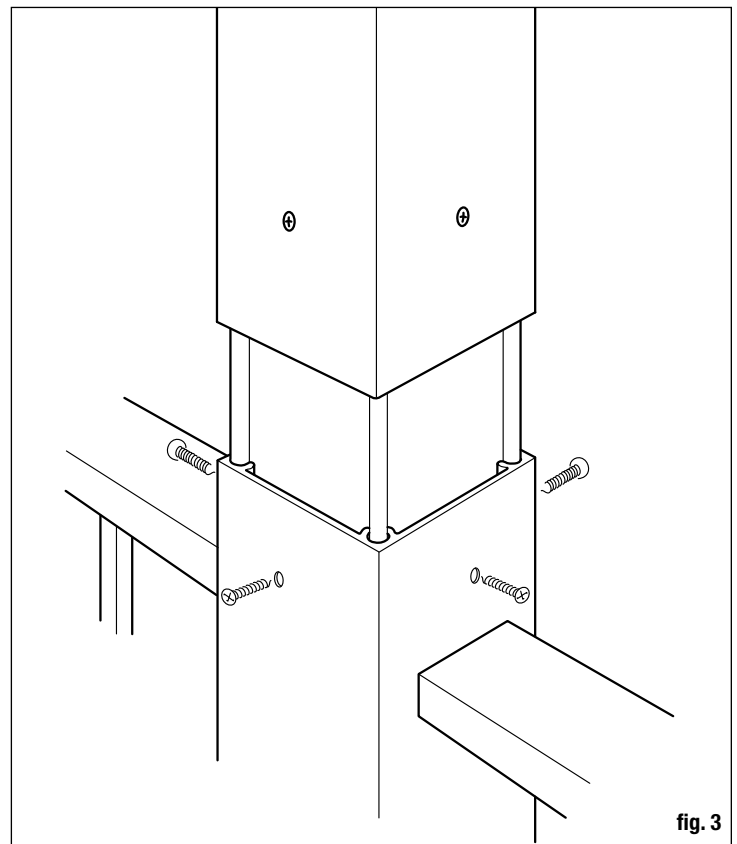
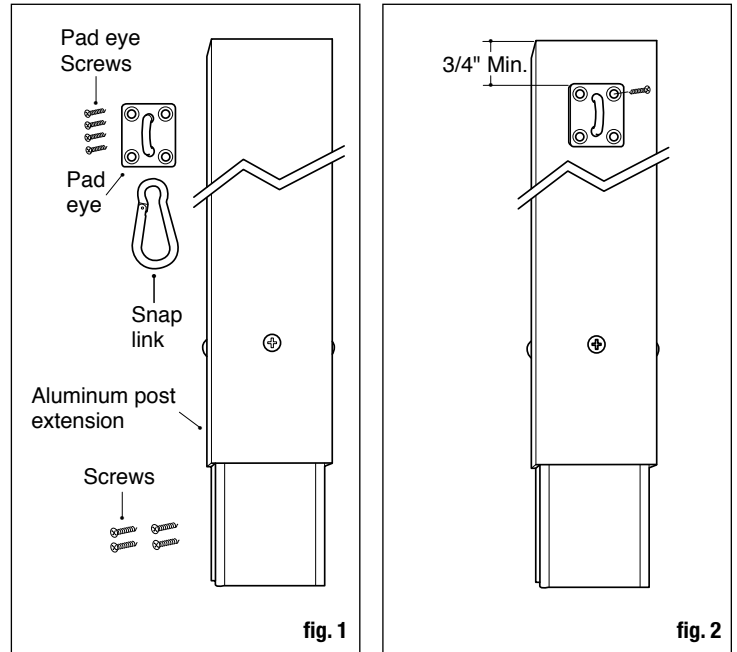
Step 2 Attach the pad eye and snap link to the end of the post without the coupler. Leave at least 3/4" between the end of the post and the top of the pad eye to accommodate the post cap. Pre-drill the screw holes for the pad eye.

Step 3 Remove the post cap from the installed post. Attach the post cap onto the end of the extension by tapping it into place with a rubber mallet.

Step 4 Slide the inserted coupler out from the post extension so that it extends 6" and the predrilled holes line up. Secure the coupler to the post extension in this position using 4 of the #10 x 3/4" screws, one on each side (fig. 3).

Step 5 Measure 3" from the top of the installed post and predrill a hole in the center of each side using a 1/8" HSS (High Speed Steel) drill bit. (If installing a railing to the post do not predrill for the post extension screws on that side, follow instructions for railing installation).

Step 6 Attach the post extension by inserting the coupler into the top of the installed post and into the screw bosses. **Make sure you orient the pad eye and snap link, at the top of the post, in the desired direction.** Secure each side with the included screws. (If attaching to post with an already installed railing measure the distance from the top of the post to the top screws and cut the coupler to fit).



THE DIAGRAMS AND INSTRUCTIONS IN THIS BROCHURE ARE FOR ILLUSTRATION PURPOSES ONLY AND ARE NOT MEANT TO REPLACE A LICENSED PROFESSIONAL CONTRACTOR. ANY INSTALLATION OR USE OF THIS PRODUCT MUST COMPLY WITH ALL LOCAL ZONING AND/OR BUILDING CODES, WHICH SUPERSEDE THESE INSTRUCTIONS. HOMEOWNER AND NEIGHBORHOOD ASSOCIATIONS AND HISTORIC DISTRICTS MAY IMPOSE ADDITIONAL RESTRICTIONS OR REQUIREMENTS. THE CONSUMER ASSUMES ALL RISKS AND LIABILITY ASSOCIATED WITH THE INSTALLATION OR USE OF THIS PRODUCT. THE CONSUMER OR CONTRACTOR SHOULD TAKE ALL NECESSARY STEPS TO ENSURE THE SAFETY OF EVERYONE INVOLVED IN THE INSTALLATION PROJECT, INCLUDING, BUT NOT LIMITED TO, WEARING THE APPROPRIATE SAFETY EQUIPMENT. EXCEPT AS CONTAINED IN THE WARRANTOR'S WRITTEN LIMITED WARRANTY, THE WARRANTOR DOES NOT PROVIDE ANY WARRANTY, EITHER EXPRESS OR IMPLIED, AND SHALL NOT BE LIABLE FOR ANY DAMAGES, INCLUDING BUT NOT LIMITED TO CONSEQUENTIAL DAMAGES.