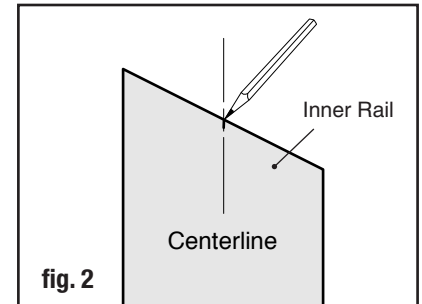
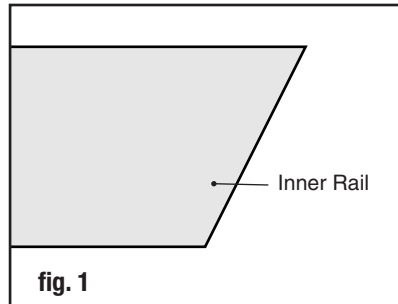
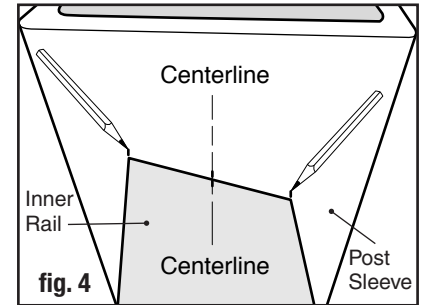
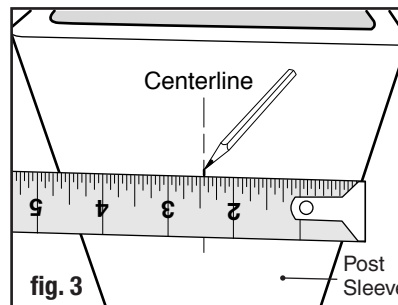


# Deckorators® Angle Bracket Installation Instructions

Step 1. Precut the inner rail to required angle to match post. (fig. 1)



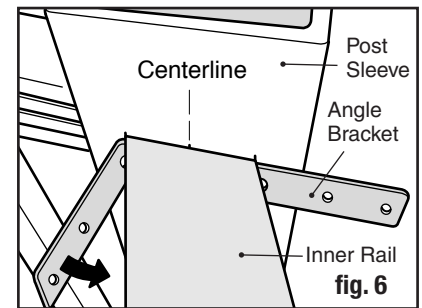
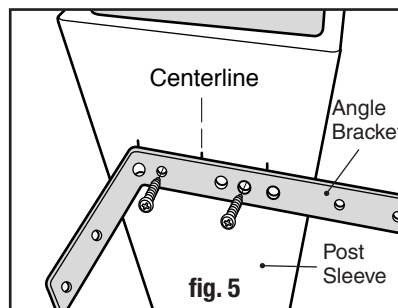
Step 2. Mark centerline of rail and centerline of post sleeve. (figs. 2 & 3)



**Note:** The actual length of the end cut on the rail is dependent upon the angle of the cut. (The sharper the angle, the longer the cut will be.)

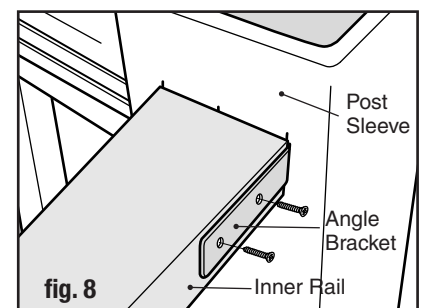
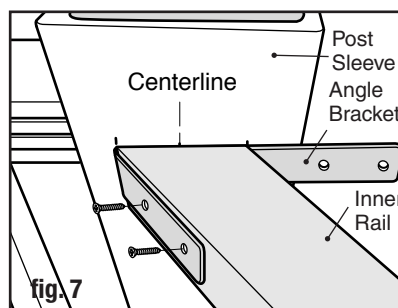
Align the rail to the post centerline and mark the width of the rail on the post. (fig. 4)

Step 3. Using the marks as a reference, install the angle bracket to the post. Align the inside surface of the short leg with the width mark on the post. (fig. 5)



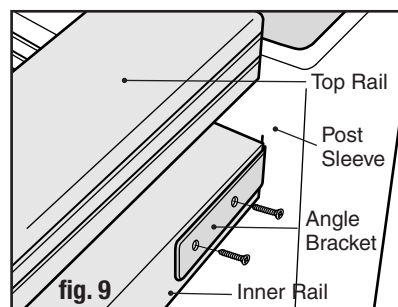
Step 4. Set the rail in place and bend the bracket until it aligns with the side of the rail. (fig. 6)

Step 5. Pre-drill the two holes in the rail and fasten to the bracket with small (1") screws. (fig. 7)



Step 6. Bend the other leg of the bracket into position against the rail. Pre-drill and fasten with two more small screws (1"). (fig. 8)

Step 7. Cut the top rail to match the angle and attach to the inner rail. (fig. 9)



Deckorators.com