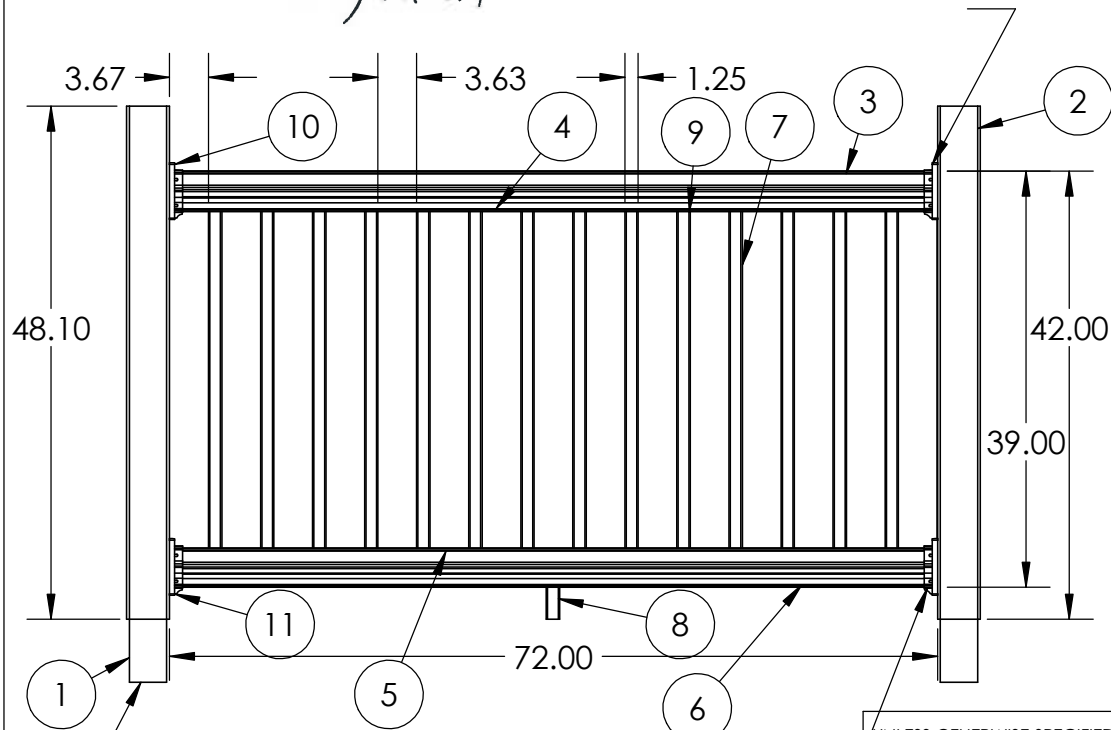




*See Sheet 2 of 2 for optional baluster and connection details.

*Bracket to Post Connection - Use (6) H Style Screws
 *Top Rail to Bracket Connection - Use (4) G Style Screws



*Bracket to Post Connection - Use (6) H Style Screws
 *Bottom Rail to Bracket Connection - Use (4) G Style Screws

Structural 4x4 #1 SYP Ground Contact Treated Post (ESR-2240 or AWPA Std U1, UC 4A)

Copyright 2014, Universal Forest Products, Inc.

ITEM NO.	PART NUMBER	DESCRIPTION	QTY.
1	4x4 Post	Treated Wood Post	2
2	IN105101 Post Cover	WPC Post Sleeve	2
3	IN107005	Architectural WPC Top Rail (Light)	1
4	IN107103	Reinforcing WPC Top Rail	1
5	IN107005	Architectural WPC Bottom Rail (Light)	1
6	IN107103	Reinforcing WPC Bottom Rail	1
7	IN105401	Hollow WPC Baluster	15
8	IN105401	Hollow WPC Foot Piece	1
9	IN134401	Baluster Connector	30
10	IN135001	Architectural WPC Top Rail Connector	2
11	IN135001	Architectural WPC Bottom Rail Connector	2

Notes:

- *This rail assembly meets 2012 OBC requirements for guards within dwelling units & exterior guards serving not more than 2 dwelling units.
- *Post installation per SB-7 requirements (OBC)
- *Component verification & testing per ATI report C8061.01-119-19
- *Balusters/rails to be installed to have no play between baluster/rail.
- *Install complete railing system according to installation instructions.

UNLESS OTHERWISE SPECIFIED:

DIMENSIONS ARE IN INCHES
 TOLERANCES:
 FRACTIONAL ±
 ANGULAR: MACH ± BEND ±
 TWO PLACE DECIMAL ±
 THREE PLACE DECIMAL ±

INTERPRET GEOMETRIC TOLERANCING PER:

MATERIAL
 Wood/Plastic Composite

FINISH

DO NOT SCALE DRAWING

NAME		DATE
DRAWN	NDA	3/28/2014
LAST REV.	1	3/28/2014
ENG APPR.		
MFG APPR.		

DRAWING

TITLE:
6' Level Architectural (Light)

SIZE	Job No.	69301	REV
A	Dwg No.	IN147201	
SCALE: 1:18		SHEET 1 OF 2	

PROPRIETARY AND CONFIDENTIAL

THE INFORMATION CONTAINED IN THIS DRAWING IS THE SOLE PROPERTY OF UFP. ANY REPRODUCTION IN PART OR AS A WHOLE WITHOUT THE WRITTEN PERMISSION OF UFP IS PROHIBITED.

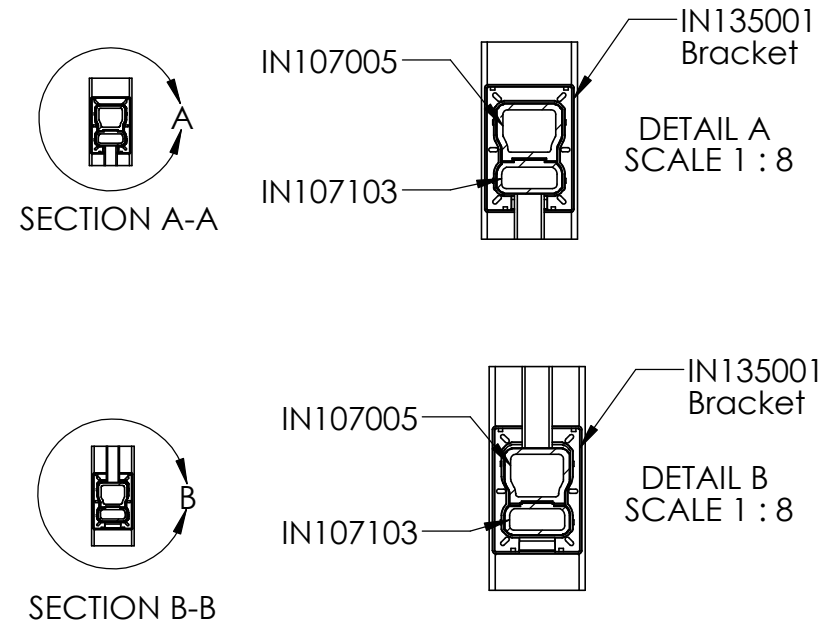
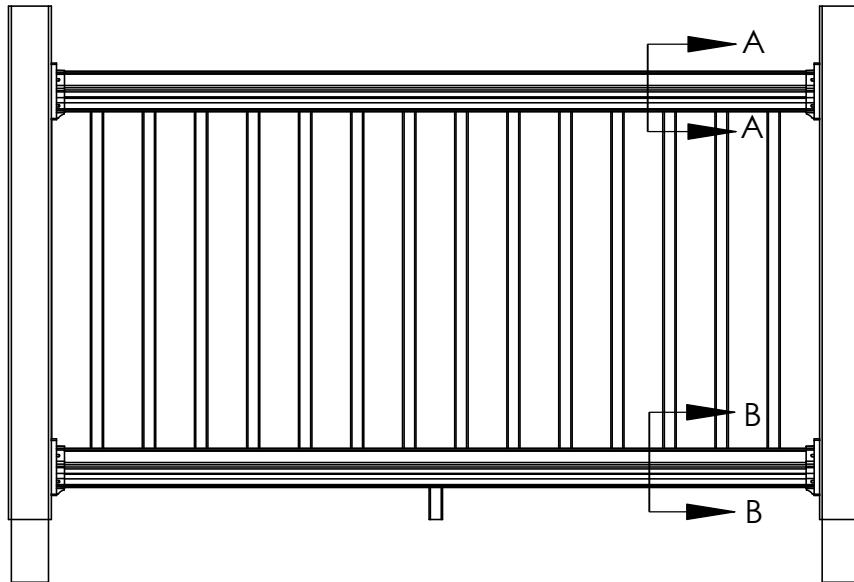


*See Sheet 1 of 2 for part descriptions.

Baluster Options			
Baluster Name	Part No.	Connector Part No.	Fastener Callout and (qty.)
Baroque	110.2	Mech.	E (4)
Traditional	111.2	Mech.	F (4)
Classic	104.2	107.1 or 107.2	E (2)
Arc	112.2	Mech.	E (4)
Estate	114.2	108.1	E (2)

Notes:

- *Connect 2 part rails together with one [H] connection 2 feet from each 4 x 4 post.
- *Install complete railing system according to installation instructions.



Connections:

- [E] - 1-1/2" long x 0.157" major dia. 304 stainless steel screw (bugle head) 9 threads per inch.
- [F] - 1-1/2" long x 0.165" major dia. 304 stainless steel screw (bugle head) 15 threads per inch.
- [G] - #10-16 x 3/4" (0.130" minor diameter) square-drive, pan-head, stainless steel screws.
- [H] - #8-15 x 2" (0.113" minor diameter) square-drive, pan-head, stainless steel screws.

Copyright 2014, Universal Forest Products, Inc.

PROPRIETARY AND CONFIDENTIAL

THE INFORMATION CONTAINED IN THIS DRAWING IS THE SOLE PROPERTY OF UFP. ANY REPRODUCTION IN PART OR AS A WHOLE WITHOUT THE WRITTEN PERMISSION OF UFP IS PROHIBITED.

UNLESS OTHERWISE SPECIFIED:		NAME	DATE	<h1>DRAWING</h1>								
DIMENSIONS ARE IN INCHES		DRAWN	NDA		<h2>6' Level Architectural (Light)</h2>							
TOLERANCES:		LAST REV.	1									
FRACTIONAL ±		ENG APPR.										
ANGULAR: MACH ± BEND ±		MFG APPR.										
TWO PLACE DECIMAL ±				<table border="1"> <tr> <td>SIZE</td> <td>Job No.</td> <td>69301</td> <td>REV</td> </tr> <tr> <td>A</td> <td>Dwg No.</td> <td>IN147201</td> <td></td> </tr> </table>	SIZE	Job No.	69301	REV	A	Dwg No.	IN147201	
SIZE	Job No.	69301	REV									
A	Dwg No.	IN147201										
THREE PLACE DECIMAL ±				SCALE: 1:18								
INTERPRET GEOMETRIC TOLERANCING PER:				SHEET 2 OF 2								
MATERIAL												
Wood/Plastic Composite												
FINISH												
DO NOT SCALE DRAWING		UFP. WWW.UFPI.com										