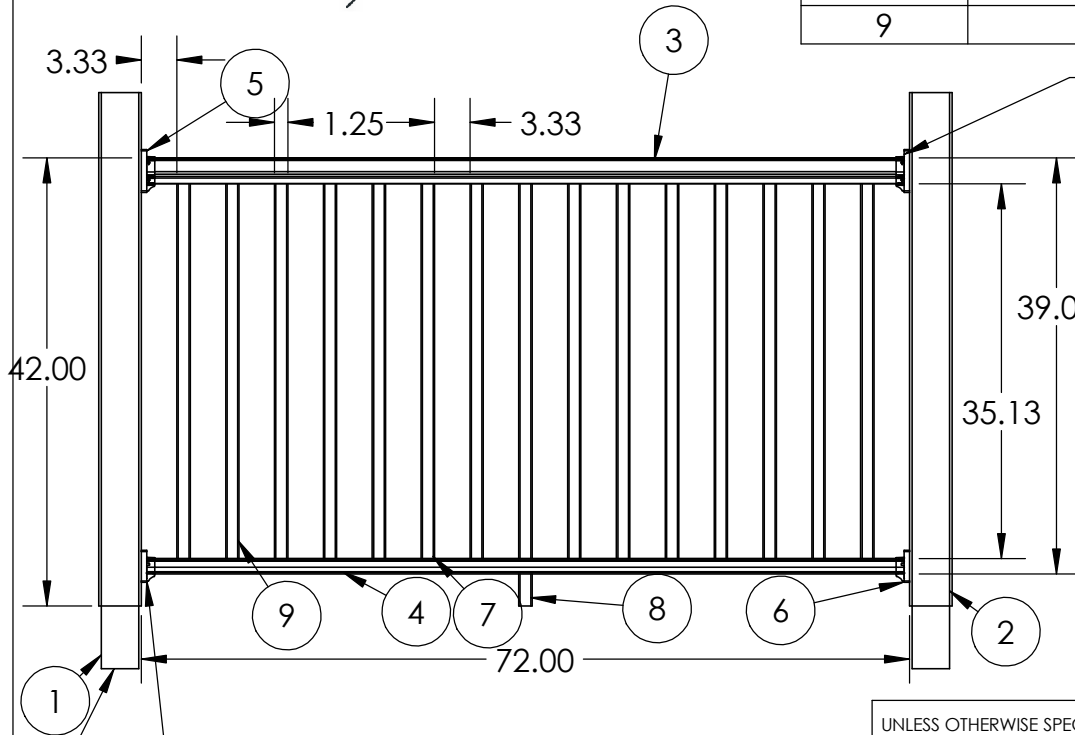




ITEM NO.	PART NUMBER	DESCRIPTION	QTY.
1	4x4 Post	Treated Wood Post	2
2	IN105101 Post Cover	WPC Post Sleeve	2
3	IN107005	Classic WPC Top Rail (Light)	1
4	IN107103	WPC Bottom Rail	1
5	IN134601	Classic Top Rail Connector	2
6	IN134801	Bottom Rail Connector	2
7	IN134401	Baluster Connector	30
8	IN105401	Hollow WPC Foot Piece	1
9	IN105401	Hollow WPC Baluster	15



\*Bracket to Post Connection - Use (4) D Style Screws  
 \*Top Rail to Bracket Connection - Use (4) C Style Screws

Notes:  
 \*This rail assembly meets 2012 OBC requirements for guards within dwelling units & exterior guards serving not more than 2 dwelling units.  
 \*Post installation per SB-7 requirements (OBC)  
 \*Component verification & testing per ATI report C8061.01-119-19  
 \*Balusters/rails to be installed to have no play between baluster/rail.  
 \*Install complete railing system according to installation instructions.

**Connections:**  
 [A] - 1-1/2" long x 0.157" major dia. 304 stainless steel screw (bugle head) 9 threads per inch.  
 [B] - Two #10-16 x 3/4" (0.130 in minor diameter) square drive, pan-head, stainless steel screws.  
 [C] - Four #10-16 x 3/4" (0.130 in minor diameter) square-drive, pan-head, stainless steel screws.  
 [D] - Four #8-15 x 2" (0.113 in minor diameter) square-drive, pan-head, stainless steel screws.

Baluster Options			
Baluster Name	Part No.	Connector Part No.	Fastener Callout and (qty.)
Classic	104.3	107.1 or 107.2	A (2)
Estate	114.3	108.1	A (2)

\*Bracket to Post Connection - Use (4) D Style Screws  
 \*Bottom Rail to Bracket Connection - Use (4) B Style Screws

Structural 4x4 #1 SYP Ground Contact Treated Post (ESR-2240 or AWP A Std U1, UC 4A)

Copyright 2014, Universal Forest Products, Inc.

UNLESS OTHERWISE SPECIFIED:		NAME	DATE
DIMENSIONS ARE IN INCHES		DRAWN	NDA 3/28/2014
TOLERANCES:		LAST REV.	1 3/28/2014
FRACTIONAL ±		ENG APPR.	
ANGULAR: MACH ± BEND ±		MFG APPR.	
TWO PLACE DECIMAL ±			
THREE PLACE DECIMAL ±			
INTERPRET GEOMETRIC TOLERANCING PER:			
MATERIAL			
Wood/Plastic Composite			
FINISH			
DO NOT SCALE DRAWING		UFP.	WWW.UFPI.com

# DRAWING

TITLE: 6' Level Classic (Light)

A	Job No.	69301	REV
	Dwg No.	IN147001	
SCALE: 1:18		SHEET 1 OF 1	

**PROPRIETARY AND CONFIDENTIAL**  
 THE INFORMATION CONTAINED IN THIS DRAWING IS THE SOLE PROPERTY OF UFP. ANY REPRODUCTION IN PART OR AS A WHOLE WITHOUT THE WRITTEN PERMISSION OF UFP IS PROHIBITED.