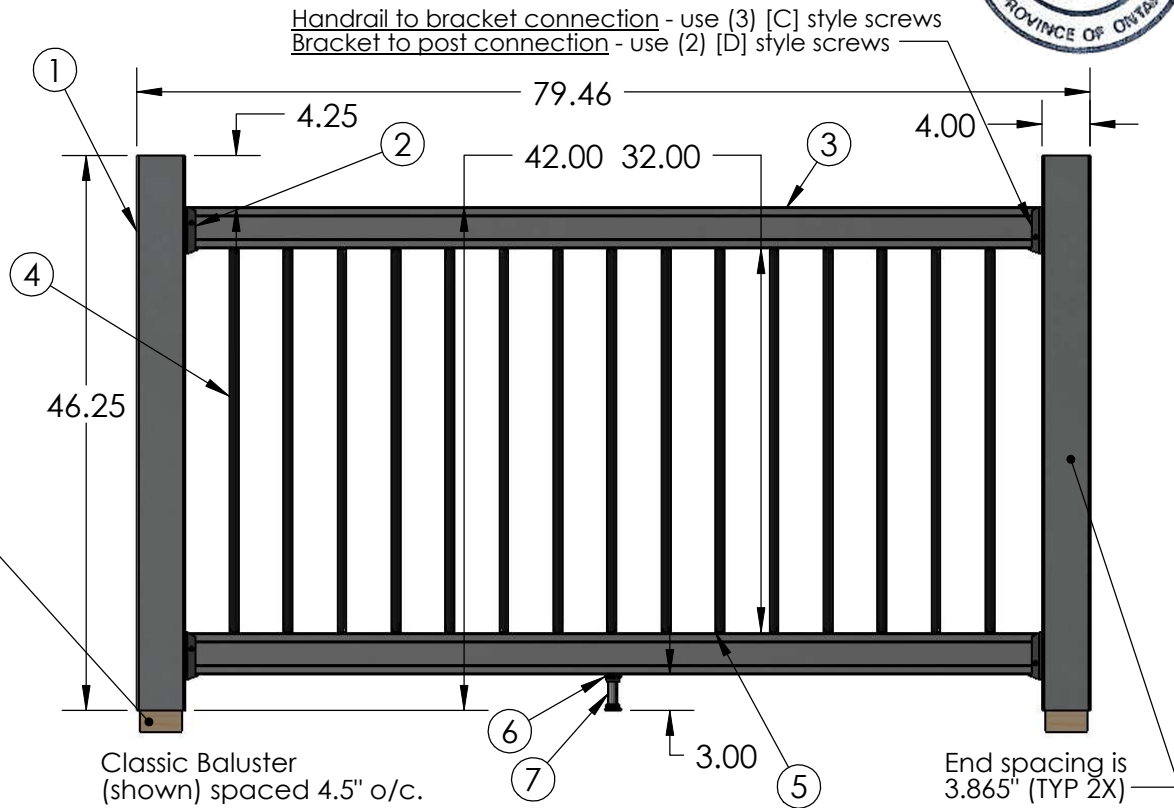


ITEM NO.	PART NUMBER	Description	QTY.
1	115.4	4"x4" Aluminum Post Sleeve	2
2	109.1	Horizontal Bracket	4
3	101.4	"2x4" Aluminum Hand Rail - .08" thick	2
4	104.3	Deckorator 32" Classic Baluster	15
5	107.2	Connector for Classic Baluster	30
6	107.1	Connector for Classic Baluster	2
7	105.2	Classic Baluster Foot Piece	1
8	4x4	Structural 4x4 Wood Post	2

Notes:
 *This rail assembly meets 2006 OBC requirements for guards within dwelling units & exterior guards serving not more than 2 dwelling units.
 *All rails designed per CANICSA-5157-05I.
 *Aluminum post sleeve and rails should be powder coated using AAMA2604 coating.
 *Post installation per SB-7 requirements (OBC)
 *Component verification & testing per ATI report A104701-119-19-R3 for CCRR-0161 94743.01-119-19-R3 for CCRR-0150.
 *Balusters/rails to be installed to have no play between baluster/rail.



Structural 4x4 #1 SYP Ground Contact Treated Post (ESR-2240 or AWP/Std U1, UC 4A)

Baluster Options

Baluster Name	Part No.	Connector Part No.	Fastener Callout and (qty.)
Baroque	110.3	Mech.	A (4)
Classic	104.3	107.1 or 107.2	A (2)
Estate	114.3	108.1	A (2)
Frontier	116.1	125.1	A (4)

Connections:

- [A] - 1-1/2" long x 0.157" major dia. 304 stainless steel screw (bugle head) 9 threads per inch.
- [B] - 1-1/2" long x 0.165" major dia. 304 stainless steel screw (bugle head) 15 threads per inch.
- [C] - #8 - 1" long x 0.164" major dia. 304 stainless steel screw, 6 threads total.
- [D] - #8 - 2" long x 0.164" major dia. 304 stainless steel screw, 16 threads total.

PROPRIETARY AND CONFIDENTIAL

THE INFORMATION CONTAINED IN THIS DRAWING IS THE SOLE PROPERTY OF UNIVERSAL FOREST PRODUCTS, INC. ANY REPRODUCTION IN PART OR AS A WHOLE WITHOUT THE WRITTEN PERMISSION OF UNIVERSAL FOREST PRODUCTS, INC. IS PROHIBITED.

UNLESS OTHERWISE SPECIFIED:		NAME	DATE
DIMENSIONS ARE IN INCHES		DRAWN	PJB 6/2/2011
TOLERANCES:		LAST REV.	1
FRACTIONAL ±		ENG APPR.	
ANGULAR: MACH ± BEND ±		MFG APPR.	
TWO PLACE DECIMAL ±			
THREE PLACE DECIMAL ±			
INTERPRET GEOMETRIC TOLERANCING PER:			
MATERIAL		 Universal Consumer Products, Inc. <small>A Universal Forest Products Company</small> 2801 E. Bellline Ave. NE, Grand Raids, MI Phone: 616-364-6161 WWW.UFPI.com	
Varies			
FINISH			
Varies			
DO NOT SCALE DRAWING			

ASSEMBLY DRAWING

TITLE:
Deckorator 42" Railing System
 (P10-002-JK)

SIZE A	Job No.	111-1010-20	REV
	Dwg No.	505.1	

SCALE: 1:14 SHEET 1 OF 1