

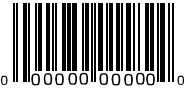


GROOVED DECKING INSTALLATION INSTRUCTIONS USING HIDDEN FASTENERS

Tools and Items Needed

- Drill/power screwdriver
 - 1/8" drill bit
 - Circular saw with carbide-tip blade
 - Assorted fasteners (see instructions)
 - Tape measure
 - Carpenter's pencil
 - Safety glasses/goggles
- Notice to installers:**
- Use 305 stainless steel, black head screws
 - DO NOT use cordless impact drivers
 - Set drill speed at 1500-1750 RPM
 - Max torque not to exceed 23 inch pounds
 - Pre-drill knots or dense hardwood

5/4X6-16' GR. DKR.



(A) End Tag

Each board has a unique appearance and should be arranged according to the end user's preference. Prior to construction, check with your local regulatory agency for special code requirements in your area. For best results, follow these simple installation instructions, paying close attention to gapping, spacing and fastener requirements.

Joist Span

16" on-center for residential perpendicular applications. Residential parquet patterns and diagonal or herringbone designs require joist spacing of 12" on-center. Contact DecoRators product support at 800-332-5724 for commercial applications. Use 1/4" for side gapping.

End-to-End Spacing

Follow the gapping requirements listed in fig. 1. Use two fasteners per deck board at each joist. For any decking where two boards meet end-to-end over a joist, additional blocking must be used for proper board end support (fig. 2). Allow 1/4" distance between all decking material and any permanent structure or post. After all of the decking has been attached, snap a chalk line (white or yellow chalk recommended) flush with or up to 1-1/2" out from the deck framing and trim with a circular saw.

All wood and composite decking products require proper ventilation and drainage to ensure their longevity. When using a minimum 2x6 joist standing on edge and the suggested 1/4" side gap, there must be a minimum 2" clear space between the bottom edge of the joists and grade in order to allow for proper ventilation. Adequate drainage is also needed to prevent water from pooling under the deck.

Board-End to Board-End Gapping Requirements

Temperature °F on day of installation	Warmest annual temperature °F expected in region											
	°F	20	30	40	50	60	70	80	90	100	110	120
	20	1/8	1/8	1/8	1/8	1/8	1/8	3/16	3/16	1/4	1/4	5/16
30		1/8	1/8	1/8	1/8	1/8	1/8	3/16	3/16	1/4	1/4	5/16
40			1/8	1/8	1/8	1/8	1/8	3/16	3/16	1/4	1/4	5/16
50				1/8	1/8	1/8	1/8	1/8	3/16	3/16	1/4	5/16
60					1/8	1/8	1/8	1/8	1/8	3/16	3/16	5/16
70						1/8	1/8	1/8	1/8	1/8	1/8	5/16
80							1/8	1/8	1/8	1/8	1/8	5/16
90								1/8	1/8	1/8	1/8	5/16
100									1/8	1/8	1/8	5/16
110										1/8	1/8	5/16
120											1/8	5/16

Note: Cutting all ends of boards prior to installation recommended. Always follow best workmanship practices. Including, but not limited to, square cutting both board ends prior to installation.

fig. 1

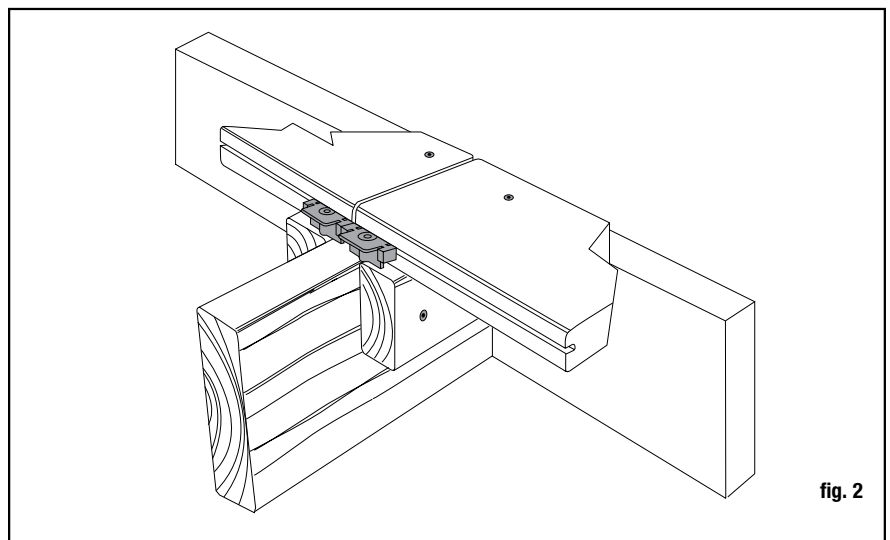


fig. 2

Fasten the outside edge of the first board to the rim joist with screws. Pre-drill and countersink all deck screws, regardless of type, that are within 1-1/2" of the end of the deck board. On the other side of the board, place a hidden fastener into the slot and center on the joist.

Cutting

- 10" 40T - 80T circular blade (Carbide)
- 12" 40T - 80T circular blade (Carbide)

For Mineral-Based Composite Decking:

- Use a sharp utility knife or jigsaw to finish cuts where a circular saw cannot fully complete cut. (Marking on the back side when needed.)
- Use a jigsaw to cut openings for protrusions. (8-12T per inch on the blade)
- If necessary, use a large file or medium-grit sandpaper to clean cut edges.
- Use utility knife to cut any fibers or strands.

(In the rare event that a strand or fiber protrudes from the board, do not pull it.) If you are using a painted blade, you can remove the paint residue with medium grit sandpaper.

For Wood Plastic Composite Decking:

- Use fine tooth carbide trim blade to cut.
- Use a sharp utility knife or jigsaw to finish cuts where a circular saw cannot fully complete cut. (Marking on the back side when needed.)
- Use a jigsaw to cut openings for protrusions. (8-12T per inch on the blade)
- If necessary, use a large file or medium-grit sandpaper to clean cut edges.
- Use utility knife to cut any fibers or strands.

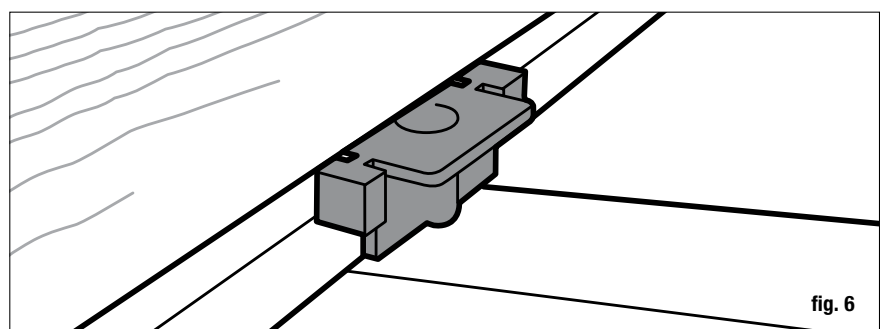
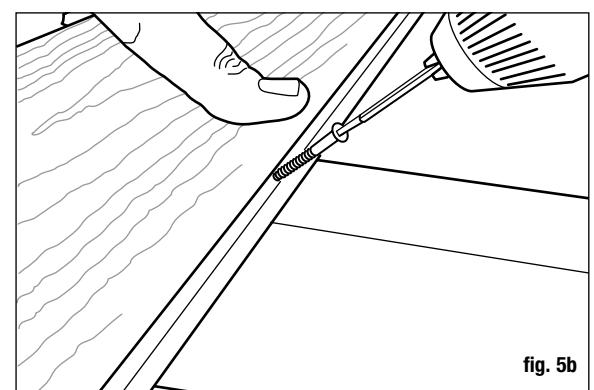
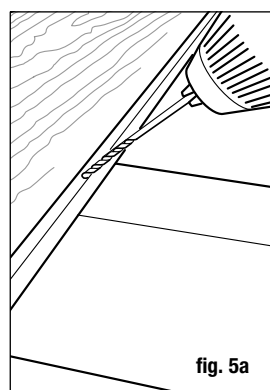
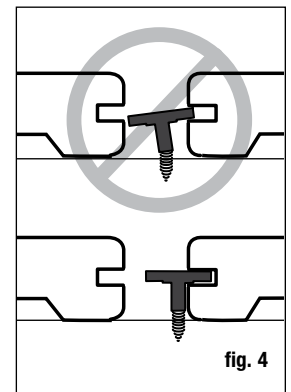
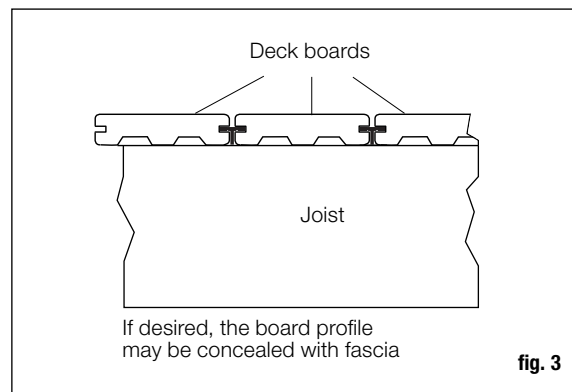
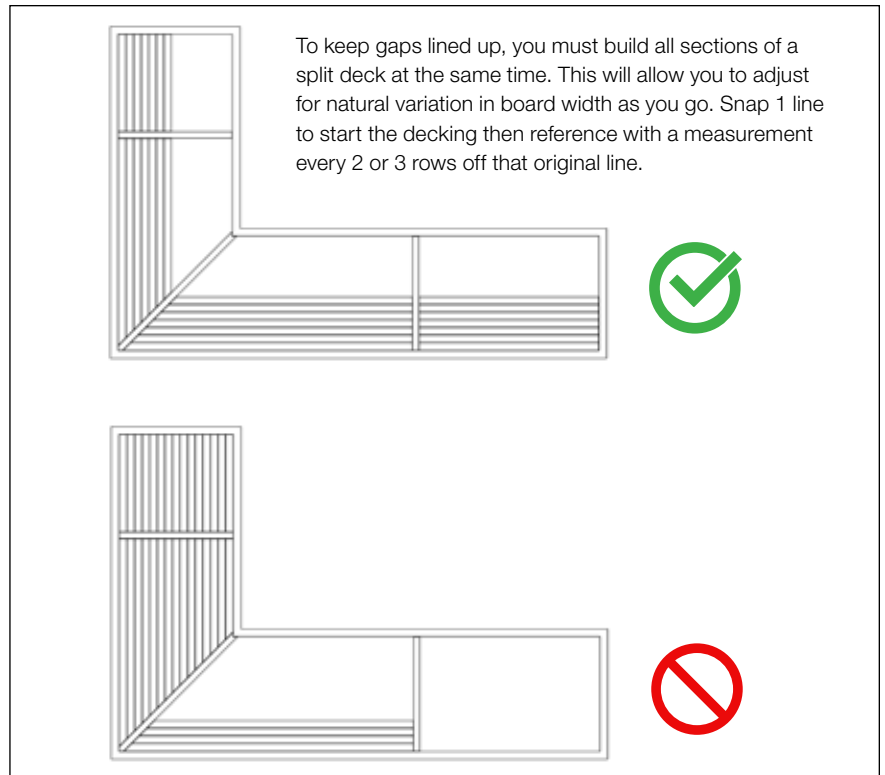
(In the rare event that a strand or fiber protrudes from the board, do not pull it.) If you are using a painted blade, you can remove the paint residue with medium grit sandpaper.

Fasteners

For ease of installation, a hidden fastener fits into the groove on each side of the deck board to eliminate pre-drilling and provide a fastener-free deck surface. The deck boards require traditional fasteners on the outside and inside edges of the deck.

Step 1 Begin by fastening the outside edge of the first board to the rim joist every 16". For this, we recommend using 2-1/2" corrosion-resistant, composite wood deck screws. These screws help minimize the common "mushroom" effect that sometimes occurs when using standard fasteners. They can also reduce the amount of pre-drilling and countersinking.

Note: If using ordinary coarse-thread deck screws, always pre-drill a pilot hole and countersink prior to driving screws. Screws must be driven



flush with the surface. Do not over-tighten. Use one fastener per board every 16”.

Step 2 Use two fasteners per deck board at each joist. For any decking where two boards meet end-to-end over a joist, additional blocking must be used for proper board end support (fig. 2). Always predrill a pilot hole when fastening within 1-1/2” of board ends, whether using composite or wood screws. Do not over-tighten screws at board ends.

Step 3 On the other side of the board, place a hidden fastener into the groove and center on the joist (fig. 3). Install the preset screw at a 90° angle through the hidden fastener and drive flush. Do not over-tighten. The fastener wings must remain level with the joist for the next board to fit correctly (fig. 4).

Step 4 Install one hidden fastener at each joist location. Slide the next board into place so the wings on the previous fasteners fit into the groove on the side of the board. Make sure the side gap between the boards is 1/4”.

Step 5 To keep the interior boards from moving over time, the boards must be pinned at the center of their length using a #8, 2” stainless steel screw. This holds the deck board in place at the center of each board and allows the decking to expand/contract at the ends. Pre-drill in the groove of the deck board with a 1/8” drill bit (fig. 5a). Drive screw into the groove so it’s flush with the bottom of the groove (fig. 5b). This will allow you to properly fit a hidden fastener into the groove.

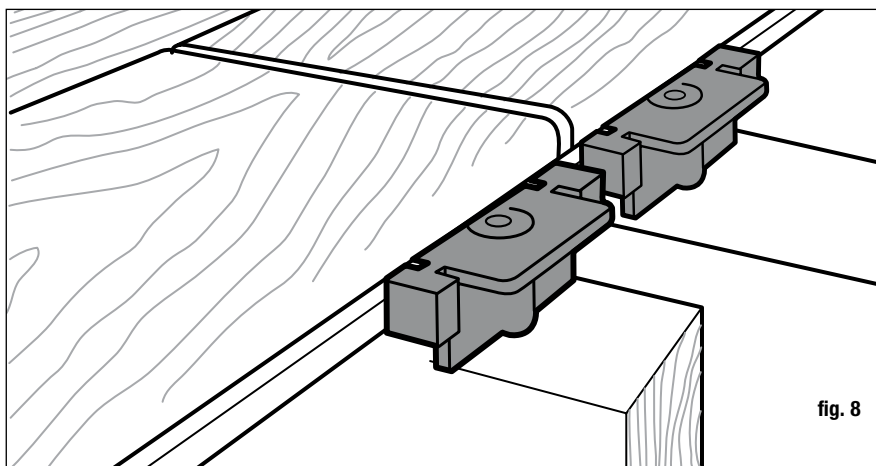
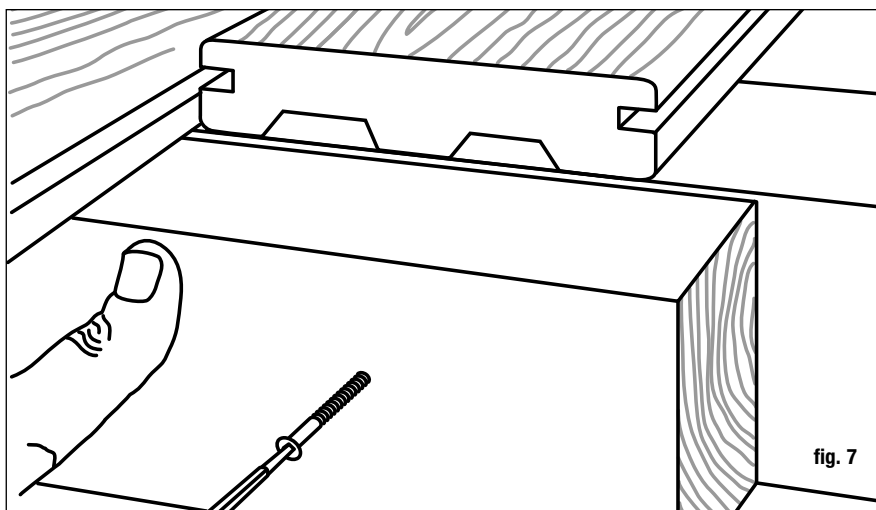
Step 6 Install a hidden fastener clip over the screw and centered over the joist. Fasten using preset screw at a 90° angle through the hidden fastener and drive flush with the clip (fig. 6). The fastener wings must remain level with the joist for the next board to fit correctly (fig. 4).

Note: To predrill a groove on one side of deck board, we recommend using a 5/32” T-slot cutter.

Step 7 Install one hidden fastener at each joist location along the length of the board. For installations where deck boards are butted end-to-end at the joist, an 8” block must be added using a hidden fastener clip at the end of each board (fig. 7 and fig. 8). Be sure to gap the boards as previously described.

Step 8 Repeat the process for each board until the outside edge of the final board is fastened with screws. Use fascia to conceal the board profile and inhibit board movement over time. Please refer to the fascia installation instructions for the approved fastening methods for fascia boards.

Step 9 If no fascia is being used, the entire perimeter of the deck should be fastened to the rim joist with screws. Use two screws per joist on the perimeter board. These screws will be inconspicuous once the railing is installed. Decking must be fastened with screws when being used as stair treads.



Preventing Mold and Mildew Growth

Mold and mildew can be a nuisance on any exterior building surface, regardless of the material. If the conditions are right, they will spawn on wood, plastic, concrete, metal, and other surfaces. Mold formation is most prevalent in consistently wet, shaded areas. Spores from the natural environment are carried by the wind and commonly land on deck surfaces. It is important to note that the appearance of mold/mildew is a function of nature, not necessarily a deficiency with any of the material on which it grows.

Cleaning

Periodic washing with soap/detergent and water will help remove surface dirt. This will also help prevent the buildup of pollen, debris and spores that can cause and accelerate mold/mildew growth.

CAUTION: A pressure washer must not be used to “blast” mold/mildew or soils from a deck surface. The abrasive nature of the water stream can potentially damage the material by driving the spores into the material, which may create a more challenging problem to remediate. A pressure washer with a fan-tipped nozzle must only be used to lightly wet or rinse wood or composite deck surfaces.

There are many deck wash and exterior cleaning products available at retail stores. Only use cleaners intended for your application. Instructions provided by the manufacturer must be followed. Some cleaning products and inhibitors may be more effective than others, depending on the environmental conditions your deck is subjected to. Additionally, it is always a good idea to test the cleaner in a small, inconspicuous area prior to applying it to the entire deck.

Tips for snow removal: Care should be taken when removing snow from your deck to avoid damaging the deck surface. Use a plastic snow shovel, one without a metal edge. A stiff push broom can work very well and minimizes lifting. Light snow can be cleared using a leaf blower. Do not attempt to break up or scrape ice from the deck surface; use ice melt products when needed. No concerns have been reported using ice melt products labeled “Safe for Pets”.

Mold Inhibitors

As with deck washes, there are several mold-inhibitor products available from paint stores, hardware stores, online outlets and home centers to help prevent long-term mold/mildew growth. For any product selected, be certain to read, understand, and follow all instructions provided by the manufacturer. Depending upon the environmental factors affecting your deck, some preventive cleaning products may be more effective than others. It may be necessary to try more than one. For ongoing preventive maintenance, follow the manufacturer’s recommendation.

Note: Deckorators is not suitable for structural use. It must not be used for primary load-bearing members such as posts, joists, beams, or stringers. The same common-sense precautions should be taken when handling Deckorators as with wood or other building materials. Dust masks and eye protection devices are recommended to avoid possible irritation from sawdust and chips. Gloves will help protect hands. Hands should be washed after construction work.

THE DIAGRAMS AND INSTRUCTIONS IN THIS BROCHURE ARE FOR ILLUSTRATION PURPOSES ONLY AND ARE NOT MEANT TO REPLACE A LICENSED PROFESSIONAL. ANY CONSTRUCTION OR USE OF THE PRODUCT MUST BE IN ACCORDANCE WITH ALL LOCAL ZONING AND/OR BUILDING CODES. THE CONSUMER ASSUMES ALL RISKS AND LIABILITY ASSOCIATED WITH THE CONSTRUCTION OR USE OF THIS PRODUCT. THE CONSUMER OR CONTRACTOR SHOULD TAKE ALL NECESSARY STEPS TO ENSURE THE SAFETY OF EVERYONE INVOLVED IN THE PROJECT, INCLUDING, BUT NOT LIMITED TO, WEARING THE APPROPRIATE SAFETY EQUIPMENT. EXCEPT AS CONTAINED IN THE WRITTEN LIMITED WARRANTY, THE WARRANTOR DOES NOT PROVIDE ANY OTHER WARRANTY, EITHER EXPRESS OR IMPLIED, AND SHALL NOT BE LIABLE FOR ANY DAMAGES, INCLUDING CONSEQUENTIAL DAMAGES.



SOLID DECKING INSTALLATION INSTRUCTIONS

Tools and Items Needed

- Drill/power screwdriver
- 1/8" drill bit
- Circular saw with carbide-tip blade
- 2½" composite wood deck screws
- Tape measure
- Carpenter's pencil
- Safety glasses/goggles
- Notice to installers**
- DO NOT use cordless impact drivers
- Set drill speed to 1500-1750 RPM
- Max torque not to exceed 23 inch pounds
- Pre-drill knots or dense hardwood

Each board has a unique appearance and should be arranged according to the end user's preference. Prior to construction, check with your local regulatory agency for special code requirements in your area. For best results, follow these simple installation instructions, paying close attention to gapping, spacing and fastener requirements.

Joist Span

16" on-center for residential perpendicular applications. Residential parquet patterns and diagonal or herringbone designs all require joist spacing 12" on-center. Contact Deckorators product support at 800-332-5724 for commercial applications. Use 1/4" for side gapping.

End-to-End Spacing

Allow a minimum of 1/16" gap between board ends for every 20°F of difference between installation temperature and the hottest temperature expected (fig. 1). Use two fasteners per deck board at each joist. For any decking where two boards meet end-to-end over a joist, additional blocking must be used for proper board end support (fig. 2). Allow 1/4" distance between all decking material and any permanent structure or post. After all decking has been attached, snap a chalk line (white or yellow chalk recommended) flush with or up to 1-1/2" out from the deck framing and trim with a circular saw. Deckorators decking, like all wood and composite decking products, requires proper ventilation and drainage in order to ensure its longevity. When using a minimum 2x6 joist standing on edge, with the suggested 1/4" side gap, there must be a minimum 2" clear space between the bottom edge of the joists and grade to allow for proper ventilation. Adequate drainage is also needed to prevent water from pooling under the deck.

Fasteners

For a list of recommended and compatible fasteners please visit www.Deckorators.com/FastenerInfo. Recommended fasteners are those which are recommended by the manufacturer of Deckorators Decking. Compatible fasteners are those which have been tested and recommended for use with Deckorators Decking by the fastener manufacturer. The use of a non-recommended fastener will not void the Deckorators Decking Warranty; however if a decking failure is caused by the use of a non-recommended fastener, any corresponding warranty claim will be denied.

For ease of installation, we recommend using 2-1/2" corrosion-resistant, composite wood deck screws. These screws help minimize the common "mushroom" effect that sometimes occurs when using standard fasteners. They can also reduce the amount of pre-drilling and countersinking. If using ordinary coarse thread deck screws, always pre-drill a pilot hole and countersink prior to driving screws.

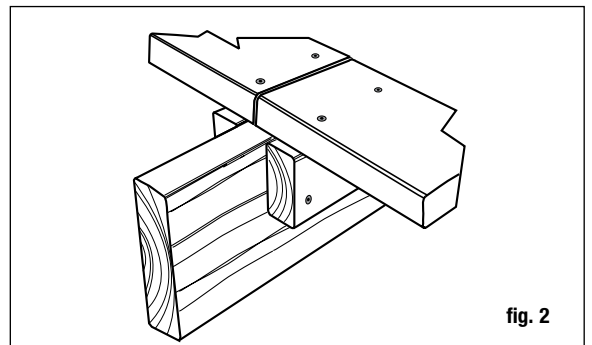
(A) End Tag



Board-End to Board-End Gapping Requirements

Temperature °F on day of installation	Warmest annual temperature °F expected in region											
	°F	20	30	40	50	60	70	80	90	100	110	120
	20	1/8	1/8	1/8	1/8	1/8	1/8	3/16	3/16	1/4	1/4	5/16
30		1/8	1/8	1/8	1/8	1/8	3/16	3/16	1/4	1/4	5/16	5/16
40			1/8	1/8	1/8	1/8	1/8	3/16	3/16	1/4	1/4	5/16
50				1/8	1/8	1/8	1/8	3/16	3/16	1/4	1/4	5/16
60					1/8	1/8	1/8	3/16	3/16	1/4	1/4	5/16
70						1/8	1/8	3/16	3/16	1/4	1/4	5/16
80							1/8	3/16	3/16	1/4	1/4	5/16
90								1/8	3/16	3/16	1/4	5/16
100									1/8	3/16	3/16	1/4
110										1/8	3/16	3/16
120											1/8	3/16

Note: Always follow best workmanship practices. Including, but not limited to, square cutting both board ends prior to installation. Cutting all ends of boards prior to installation recommended. **fig. 1**



Pre-drill and countersink all deck screws, regardless of type, that are within 1-1/2" of the end of the deck board. **fig. 2**

Screws must be driven flush with the Deckorators decking surface. Do not over-tighten. Use two fasteners per deck board at each joist. For any decking where two boards meet end-to-end over a joist, add additional blocking (fig. 2). Always pre-drill a pilot hole and countersink at board ends when using either composite or wood screws. Be careful not to over-tighten screws near board ends.

Please refer to PFS TECO RR-0100 for stringer spacing when deck boards are used as stair treads.

Color Variation

Each board has unique appearance and should be arranged to the end users preference prior to fastening. Purchasing all decking at one time is recommended as manufacturing runs can produce slightly different shades and toning. Do not install if color variation is not acceptable.

Preventing Mold and Mildew Growth

Mold and mildew can be a nuisance on any exterior building surface, regardless of the material. If the conditions are right, they will grow on wood, plastic, concrete, metal, and other surfaces. Mold formation is most prevalent in consistently wet, shaded areas. Spores from the natural environment are carried by the wind and will land on deck surfaces. It is important to note that the appearance of mold/mildew is a function of nature, not necessarily a deficiency with any of the material on which it grows.

Cleaning

Periodic washing with soap/mild detergent and water will help remove surface dirt. This will also help prevent the buildup of pollen, debris and spores that can cause and accelerate mold/mildew growth. *Caution: A pressure washer must not be used to "blast" mold/mildew or soils from a deck surface. The abrasive nature of the water stream can potentially cause damage by driving the spores deeper into the material, which may create a more challenging problem to remedy. A pressure washer with a fan-tipped nozzle must only be used to lightly wet or rinse wood or composite deck surfaces.*

There are many deck wash and exterior cleaning products available at retail. Only use cleaners intended for your application. Instructions provided by the manufacturer must be followed. Some cleaning products and inhibitors may be more effective than others, depending on the environmental conditions your deck is subjected to. Additionally, it is always a good idea to test the cleaner in a small, inconspicuous area prior to applying it to the entire deck (www.deckorators.com).

Tips for snow removal: Care should be taken when removing snow from your deck to avoid damaging the deck surface. Use a plastic snow shovel, one without a metal edge. A stiff push broom can work very well and minimizes lifting. Light snow can be cleared using a leaf blower. Do not attempt to break up or scrape ice from the deck surface; use ice melt products when needed. No concerns have been reported using ice melt products labeled "Safe for Pets".

Mold Inhibitors

As with deck washes, there are several mold-inhibitor products available from paint stores, hardware stores, online outlets and home centers to help prevent long-term mold/mildew growth. For any product selected, be certain to read, understand, and follow all instructions provided by the manufacturer. Depending upon the environmental factors affecting your deck, some preventive cleaning products may be more effective than others. It may be necessary to try more than one product. For ongoing preventive maintenance, follow the manufacturer's recommendation.

Note: Deckorators is not suitable for structural use. It must not be used for primary load-bearing members such as posts, joists, beams, or stringers. The same common-sense precautions should be taken when handling Deckorators as with wood or other building materials. Dust masks and eye protection devices are recommended to avoid possible irritation from sawdust and chips. Gloves will help protect hands. Hands should be washed after construction work.

THE DIAGRAMS AND INSTRUCTIONS IN THIS BROCHURE ARE FOR ILLUSTRATION PURPOSES ONLY AND ARE NOT MEANT TO REPLACE A LICENSED PROFESSIONAL. ANY CONSTRUCTION OR USE OF THE PRODUCT MUST BE IN ACCORDANCE WITH ALL LOCAL ZONING AND/OR BUILDING CODES. THE CONSUMER ASSUMES ALL RISKS AND LIABILITY ASSOCIATED WITH THE CONSTRUCTION OR USE OF THIS PRODUCT. THE CONSUMER OR CONTRACTOR SHOULD TAKE ALL NECESSARY STEPS TO ENSURE THE SAFETY OF EVERYONE INVOLVED IN THE PROJECT, INCLUDING, BUT NOT LIMITED TO, WEARING THE APPROPRIATE SAFETY EQUIPMENT. EXCEPT AS CONTAINED IN THE WRITTEN LIMITED WARRANTY, THE WARRANTOR DOES NOT PROVIDE ANY OTHER WARRANTY, EITHER EXPRESS OR IMPLIED, AND SHALL NOT BE LIABLE FOR ANY DAMAGES, INCLUDING CONSEQUENTIAL DAMAGES.