

# ALX CONTEMPORARY RAILING WITH CONTINUOUS TOP RAIL BRACKET INSTALLATION INSTRUCTIONS (End Railing)

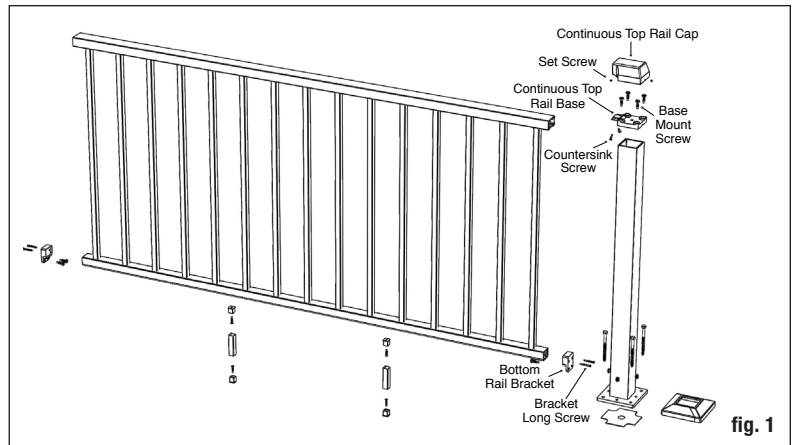
## Items and Tools Needed

### Parts included

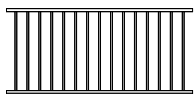
- (1) Continuous top rail end bracket kit  
(Posts and ALX Contemporary rail kit sold separately)

### Tools required

- Drill/power screwdriver
- Adjustable wrench
- Tape measure
- Miter or circular saw with carbide tip blade
- or socket wrench for bolts, etc.
- Lag screws
- Marked speed square
- Safety glasses/goggles
- 3/16" allen wrench
- Carpenter's level
- Rubber mallet
- 5/64" allen wrench
- Carpenter's pencil



Note: Quantity of parts depicted below are in reference to Fig. 1.



(1) Pre-assembled Panel



(2 or 3) Rail Supports



(4 or 6) Rail Support Connectors



(4 or 6) Connector Screws



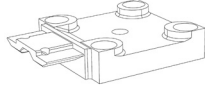
(2) Bottom Rail Brackets



(4) Bracket Long Screws



(4) Bracket Short Screws



(1) Continuous Top Rail Base



(2) Countersink Screws



(4) Base Mount Screws



(1) Continuous Top Rail Cap



(2) Set Screws

## End Railing Installation Instructions

### Posts Installation

#### Prior to construction:

- Check with your local regulatory agency for special code requirements in your area. Common railing height is 36" or 42". Read instructions completely to get an understanding of how the product goes together and how each piece affects the other.
- Determine the number of railing posts needed for your deck. Post spacing is 6' or 8' on-center. Example: A 12' x 16' deck attached to a building with a 4' access opening on one side will need a total of eight posts.

**Step 1** Cut post to 34-5/8" for 36" rail height and 40-5/8" for 42" rail height.

**Step 2** Install posts by attaching the aluminum base to the surface of the deck. Position the post so the fastener will go into the floor joist, and make sure the decking is firmly attached to the joist at the location of the posts. If necessary, use wood blocking securely attached to the joist structure as reinforcement underneath the decking where the posts are located. Fasteners that hold the post base to the surface should be able to secure to joist or reinforcement braces, not just the decking itself.

*Note: When installing aluminum post on top of a wood surface, screws must be lagged into at least 3" of solid wood (not including the decking). 5/4" or 1 1/2" deck boards do not provide sufficient material for a safe installation. If necessary, add additional material to the underside of the surface (fig. 2).*

**Step 3** Position the post assembly onto the location where it will attach to the deck. Four 3/8" diameter mounting holes are provided on the base. When the final position is determined, mark the base hole locations. Remove the post assembly and drill 15/64" holes in the marked locations through the decking and into structural blocking.

**Step 4** Reposition the post assembly with the leveling plate inserted between the deck and the post base, and aligned with the predrilled holes. Insert the post fasteners (**NOT INCLUDED**), and partially tighten. Using a level, adjust the leveling set screws with a 3/16" allen wrench until the post is plumb. Fully tighten the post fasteners to secure the base to the deck structure. *Note: Recommended 5/16" x 4" or longer lag screws.*

**STOP – Make sure post skirt is installed before continuing (fig. 3).**

### Railing Installation

#### Prior to construction:

- Check building code requirements for maximum spacing between deck surface

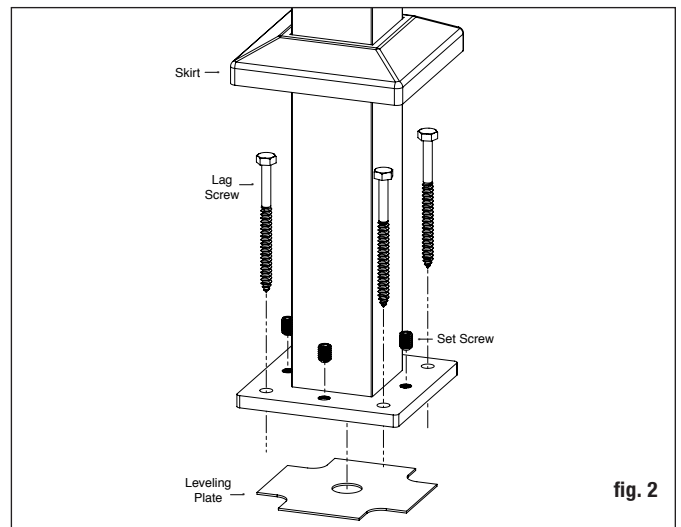


fig. 2

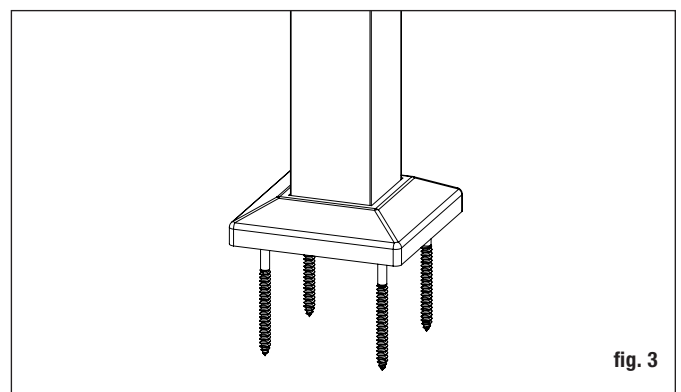


fig. 3

and bottom of rail (sweep). Spacing of 3" is recommended for 36" or 42" finished rail height.

**Step 1** Measure the distance between installed posts to determine the length of the top and bottom rails. Position rail adjacent to installed posts. The distance between the post and the first baluster should be less than 4" and equal on both ends. Mark the length on top and bottom rails.

**Step 2** Remove an additional 1/2" on both ends (1" overall) for the bracket to fit between the rail and post. Trim the top and bottom rails to length (fig. 4).

**Step 3** Place the bottom brackets on ends of the rails. Attach the brackets to the rails with a screw attached through back of bracket into each internal screw boss (fig. 5).

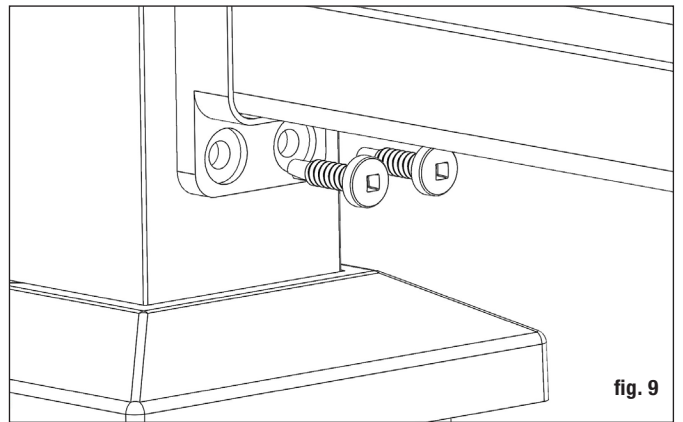
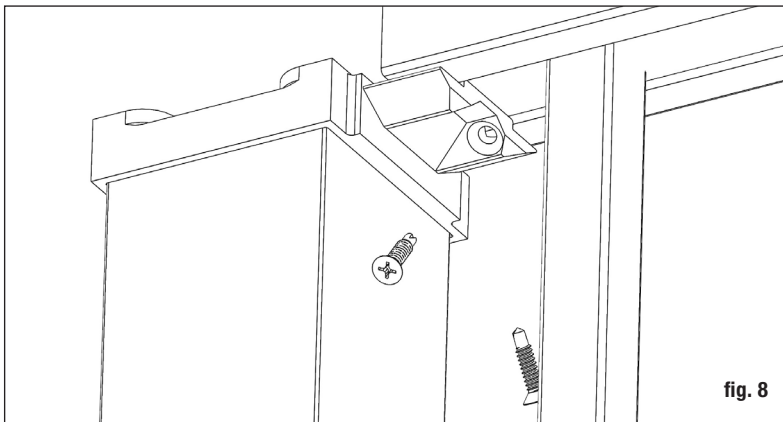
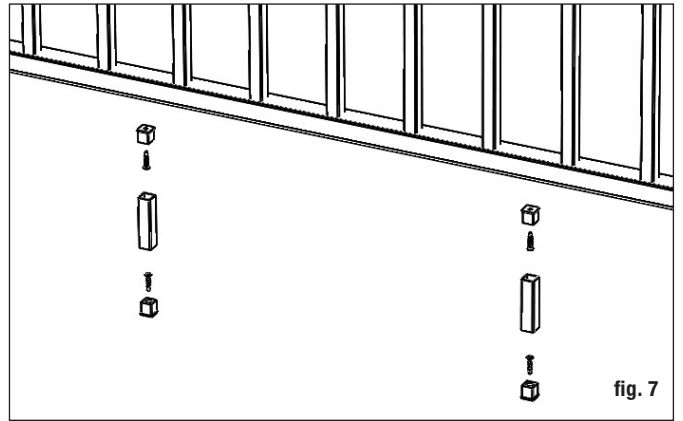
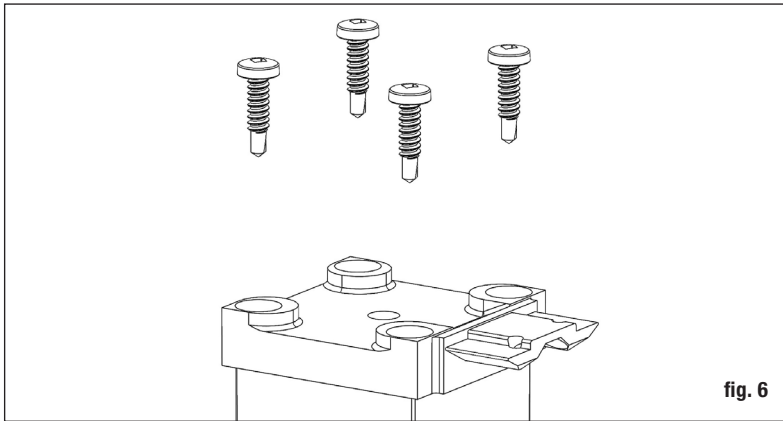
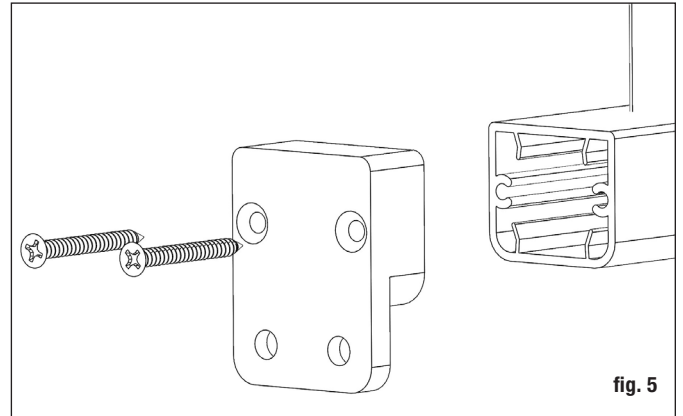
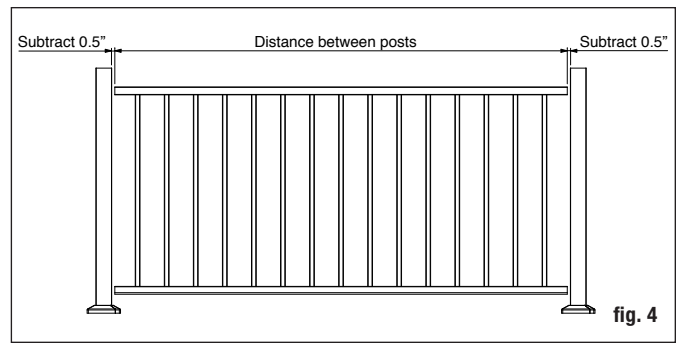
**Step 4** Prop rail in place and mark the bracket holes on both posts. Remove rail. Pre-drill screw locations through the posts, using a 3/16" drill bit at the bracket locations.

**Step 5** Secure the continuous top rail base to the top of the post using the provided base screws (fig. 6) *Note: If left slightly loose you can make minor adjustments to correct rail level issues later.*

**Step 6** A rail support is needed every 2 feet (**2 are included in the 6ft kit, 3 in the 8ft kit**). Attach rail support connectors to the bottom of the lower rail at 2-foot intervals. Pre-drill using a 1/8" drill bit. Attach the rail supports to the support block connectors. Mark the location of the rail support on the deck surface and attach the other rail support connector to the deck using the included screw (fig. 7). **For Anodized Brushed Titanium Railing drill two 1/4" drain holes through the bottom of the rail to prevent trapping water. Center drain holes between two baluster locations as baluster can block the pathway and stop water from properly draining.**

**Step 7** Position the rail between the posts. Check for level end-to-end and vertically. Pre-drill rail using a 7/64" drill bit. Attach brackets to the post at one end. Repeat for the other end. *Note: Use a driver extension bit to avoid marring the rail with the drill chuck* (fig. 8 and fig. 9).

**Step 8** Set post caps on each post. Secure using provided set screw using a 5/64" allen wrench.



THE DIAGRAMS AND INSTRUCTIONS IN THIS BROCHURE ARE FOR ILLUSTRATION PURPOSES ONLY AND ARE NOT MEANT TO REPLACE A LICENSED PROFESSIONAL. ANY CONSTRUCTION OR USE OF THE PRODUCT MUST BE IN ACCORDANCE WITH ALL LOCAL ZONING AND/OR BUILDING CODES. THE CONSUMER ASSUMES ALL RISKS AND LIABILITY ASSOCIATED WITH THE CONSTRUCTION OR USE OF THIS PRODUCT. THE CONSUMER OR CONTRACTOR SHOULD TAKE ALL NECESSARY STEPS TO ENSURE THE SAFETY OF EVERYONE INVOLVED IN THE PROJECT, INCLUDING, BUT NOT LIMITED TO, WEARING THE APPROPRIATE SAFETY EQUIPMENT. EXCEPT AS CONTAINED IN THE WRITTEN LIMITED WARRANTY, THE WARRANTOR DOES NOT PROVIDE ANY OTHER WARRANTY, EITHER EXPRESS OR IMPLIED, AND SHALL NOT BE LIABLE FOR ANY DAMAGES, INCLUDING CONSEQUENTIAL DAMAGES.