

## Tools and Items Needed

- Drill/power screwdriver
- Miter or circular saw with carbide tip blade
- Marked speed square
- Carpenter's level
- Carpenter's pencil
- Adjustable wrench or socket wrench for bolts, etc.
- Safety glasses/goggles
- Rubber mallet
- Tape measure
- Lag screws
- 3/16" allen wrench
- 5/64" allen wrench

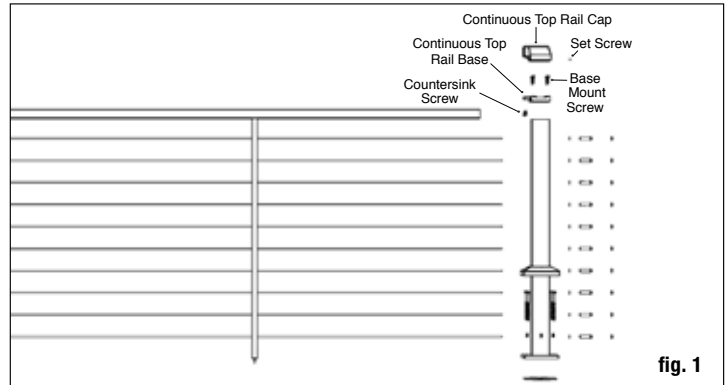
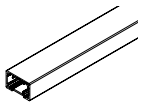


fig. 1



(1) Top rail



(1) Continuous Top Rail Base



(4) Countersink Screws



(4) Base Mount Screws



(1) Continuous Top Rail Cap



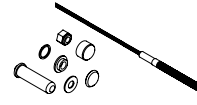
(2) Set Screws



(1) or (2) Cable Spacers



(2) or (4) Cable Spacer Connectors



(1) Cable Kit with Hardware

## For 6' On-Center or 8' On-Center End Railing:

- **1 Cable rail kit for each 6' on-center or 8' on-center section, which contains:**
  - 1 - Top rail
  - 1 - Continuous top rail base
  - 4 - Countersink screws
  - 4 - Base mount screws
  - 1 - Continuous top rail cap
  - 2 - Set screws
  - 1 - Cable spacer for 6' on-center sections — 2 for 8'
  - 2 - Cable spacer connectors for each cable spacer
- **Cable posts, as needed per the deck layout**  
Available in End, Line, Mid-stair and Bottom Stair
- **10 Cable kits for each 36" height run or 12 for each 42" height run, which contains:**
  - 1 - Cable with pre-attached threaded stud on one end, plastic spacer, SS washer, brass locknut and cap
  - 1 - Pull-lock fitting with Delrin washer and cap

Available in lengths of 5', 10', 15', 20', 25', 30', 40' or 50'

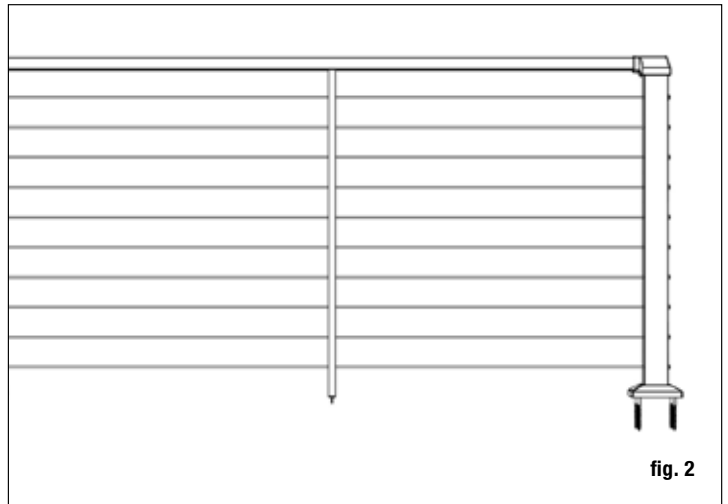


fig. 2

## End Railing Installation Instructions

### Prior to construction:

Check with your local regulatory agency for special code requirements in your area. Common railing height is 36" or 42". Pre-drill all screw holes for best results. Read In-Line Railing instructions completely to get an understanding of how the product goes together and how each piece affects the other. *Note: Use clean tools in order to reduce contamination on stainless steel surfaces. We recommend using new chrome-plated tools to protect the fittings from raw steel. Avoid installing with rusty tools, as they leave rust deposits on the surface of the fittings. After installation, we recommend cleaning the stainless steel parts completely with a stainless cleaner and a soft clean rag in order to clear carbon deposits from the surface.*

**Step 1** Determine the layout and number of railing posts needed for your deck. Post spacing is 6' or 8' on-center. Posts are available pre-drilled for end and line posts. Cable is available in lengths of 5', 10',

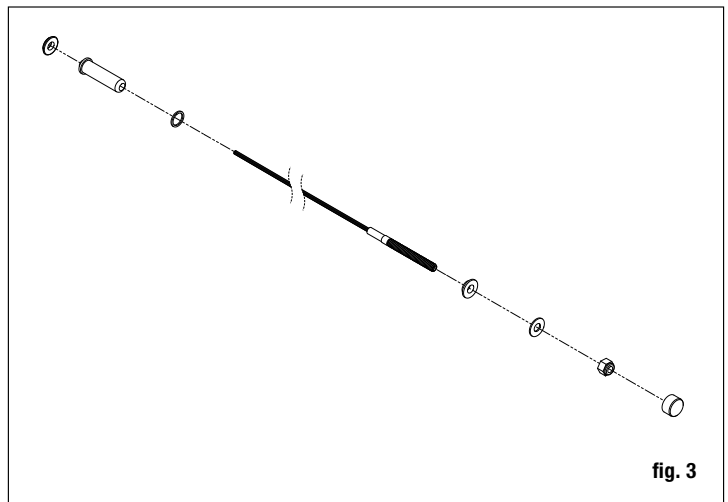


fig. 3

15', 20', 25', 30', 40' and 50'. Many layout options are possible. One tip is to start with the most visible run. It's the one on which you want the least interference with the view, so you can start from there and build around it. Corner applications: When taking cable through a corner, do not bend the cable past 45° at any time. When turning 90°, a 2-step turn using a double corner post configuration is required, or stop the cable run and start a new run. Example: A 12' x 16' deck attached to a building with a 4' access opening on one side will require a total of nine posts (fig. 4).

Once the layout is determined, all posts, rails and spacers are installed prior to the cable.

**Step 2** Cut post to 34-5/8" for 36" rail height and 40-5/8" for 42" rail height.

**Step 3 Installing Posts:** Install posts by attaching the aluminum base to the surface of the deck. Position the post so the fastener will go into the floor joist, and make sure the decking is firmly attached to the joist at the location of the posts. Proper structural blocking/ framing under the decking material is required when attaching the post to a wood frame deck because decking alone is not approved as structural framing (fig. 5).

**Step 4** Ensure the end and line posts are used in the correct location and oriented the proper way. The larger diameter hole on the end posts should face away from the cable run. Position the post assembly onto the location where it will attach to the deck. Four 3/8" diameter mounting holes are provided on the base. When the final position is determined, mark the base hole locations. Remove the post assembly and drill 15/64" holes in the marked locations through the decking and into structural blocking.

**Step 5** Reposition the post assembly with the leveling plate inserted between the deck and the post base, and aligned with the predrilled holes. Insert the post fasteners (**NOT INCLUDED**), and partially tighten. Using a level, adjust the leveling set screws with a 3/16" allen wrench until the post is plumb. Fully tighten the post fasteners to secure the base to the deck structure. *Note: Recommended 5/16" x 4" or longer lag screws.* (fig. 6)

**Step 6** Finish by sliding a post base trim (optional) over each post for a finished look.

**Step 7** Measure the distance between installed posts to determine the length of the top rail. The rails are sized for 6' and 8' on-center posts, when using 2.5" posts, and include space for the brackets. Position rail adjacent to installed posts. The distance between the post and the spacer should be equal on both ends. Use one spacer for 6' rails and two for 8'. Never span more than 36" without a spacer to maintain proper cable spacing. As needed, trim the top rail to length for runs that are less than 6' or 8' on-center. Mark the length on top rail, and remove an additional 1/2" from both ends (1" overall) for the bracket to fit between the rail and post.

**Step 8** Place the base on the post and measure the height to the flange. This number minus the desired rail height (36" or 42") will result in the amount that needs to be removed from the post.

**STOP – Make sure post base trim is installed before continuing.**

**Step 9** A cable spacer is needed at least every 3 feet (1 is included in the 6ft kit, 2 in the 8ft kit). Attach spacer connectors to the bottom of the top rail. Predrill using a 1/8" drill bit. Attach the spacers to the spacer connectors. Mark the location of the spacer on the deck surface and attach the other spacer connector to the deck using the included screw.

**Step 10** Position the rail between the posts. Check for level end-to-end and vertically. Attach brackets to the post at one end. Predrill using a 7/64" drill bit. Repeat for the other end. *Tip: Use a driver extension bit to avoid marring the rail with the drill chuck. Install all rails prior to installing cable.* (fig. 9)

**Step 11** Set post caps on each post then gently tighten the set screws to secure the cap using a 5/64" allen wrench. Install cable according to the cable instructions.

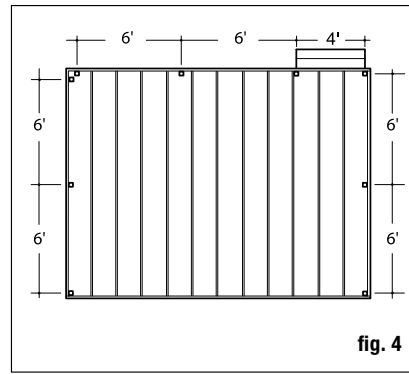


fig. 4

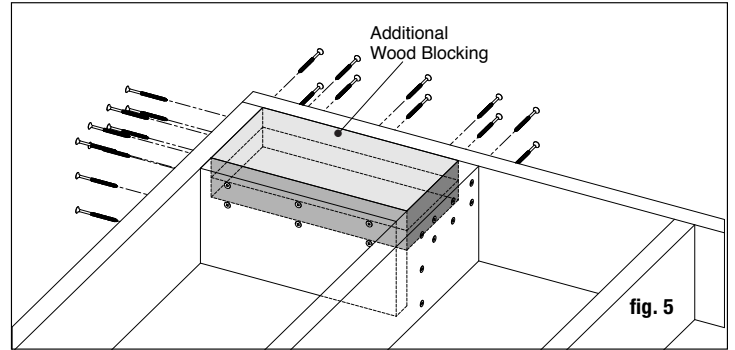


fig. 5

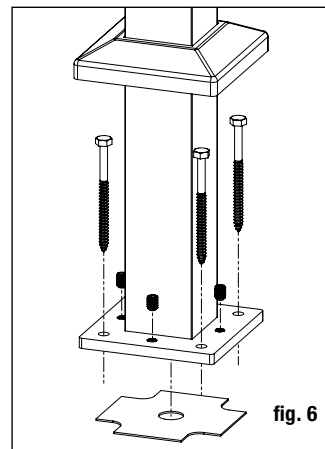


fig. 6

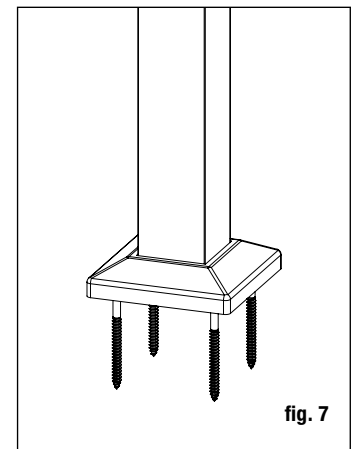


fig. 7

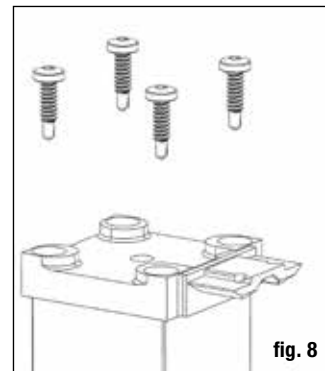


fig. 8

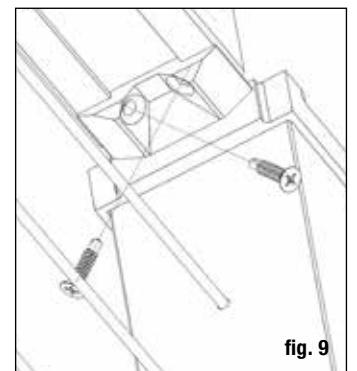


fig. 9

THE DIAGRAMS AND INSTRUCTIONS IN THIS BROCHURE ARE FOR ILLUSTRATION PURPOSES ONLY AND ARE NOT MEANT TO REPLACE A LICENSED PROFESSIONAL. ANY CONSTRUCTION OR USE OF THE PRODUCT MUST BE IN ACCORDANCE WITH ALL LOCAL ZONING AND/OR BUILDING CODES. THE CONSUMER ASSUMES ALL RISKS AND LIABILITY ASSOCIATED WITH THE CONSTRUCTION OR USE OF THIS PRODUCT. THE CONSUMER OR CONTRACTOR SHOULD TAKE ALL NECESSARY STEPS TO ENSURE THE SAFETY OF EVERYONE INVOLVED IN THE PROJECT, INCLUDING, BUT NOT LIMITED TO, WEARING THE APPROPRIATE SAFETY EQUIPMENT. EXCEPT AS CONTAINED IN THE WRITTEN LIMITED WARRANTY, THE WARRANTOR DOES NOT PROVIDE ANY OTHER WARRANTY, EITHER EXPRESS OR IMPLIED, AND SHALL NOT BE LIABLE FOR ANY DAMAGES, INCLUDING CONSEQUENTIAL DAMAGES.