

Items and Tools Needed

Parts included

(1) Continuous stair rail kit
(Posts and ALX Contemporary cable rail kit sold separately)

Tools required

- Drill/power screwdriver
- Miter or circular saw with carbide tip blade
- Marked speed square
- Carpenter's level
- Carpenter's pencil
- Adjustable wrench or socket wrench for bolts, etc.
- Safety glasses/goggles
- Rubber mallet
- Tape measure
- Lag screws
- 3/16" allen wrench
- 5/64" allen wrench

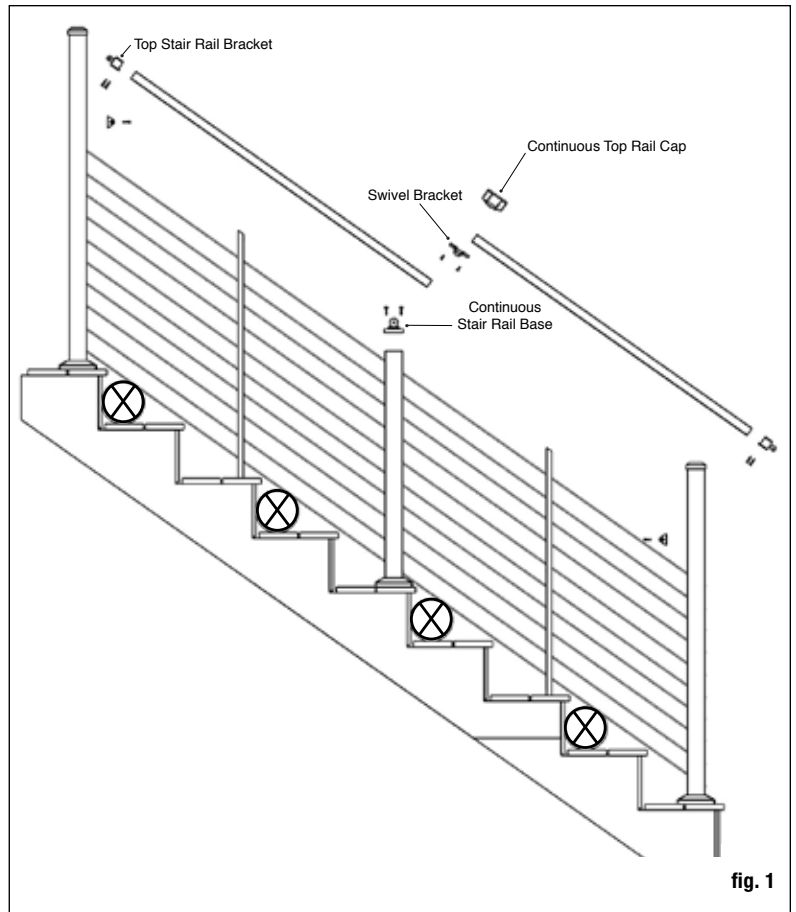
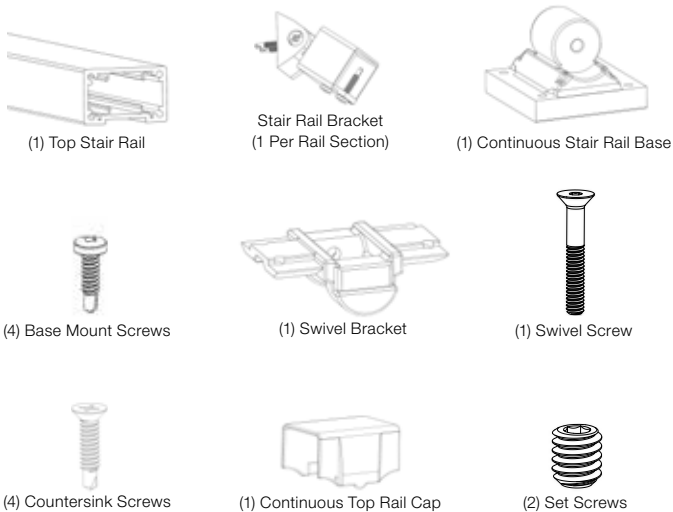


fig. 1

Stair Railing Installation Instructions

Prior to construction:

- Ensure post location is compatible with railing, prior to securing to the deck, place both posts in position, and lay the bottom rail along the stair nosing from top to bottom adjacent to both posts. On the rail side of the post, measure up from the top of the rail and ensure there is a minimum of 34" to the top of the post. Post location may need to be adjusted to ensure minimum is obtained. Repeat this step for the bottom post.
- For a wood deck, position the post so the fasteners will go into the blocking, and make sure the decking is firmly attached to the joists at the location of the posts. Proper structural blocking/framing under the decking material is required when attaching the post to a wood frame deck because decking alone is not approved as structural framing.

Step 1 Begin by determining where the top and bottom post will be located. Mark the desired location of the post.

Step 2 Four 3/8" diameter mounting holes are provided on the base. When final position is determined, mark hole locations and remove the post assembly. Drill the marked locations through decking and into structural blocking.

Step 3 Reposition the post assembly with the leveling plate inserted between the deck and the post base, and aligned with the predrilled holes. Insert the post fasteners (**NOT INCLUDED**), and partially tighten. Using a level, adjust the leveling set screws with a 3/16" allen wrench until the post is plumb. Fully tighten the post fasteners to secure the base to the deck structure.

STOP – Make sure post base trim is installed before continuing.

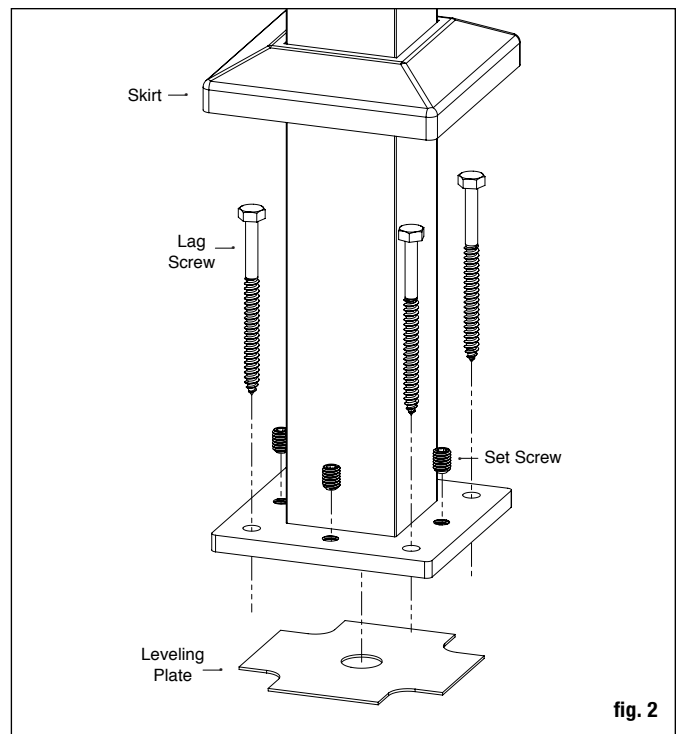


fig. 2

Step 4 Measure the distance between installed posts to determine the length of the top and bottom rails. Position the railing on the stairs on top of a spacer block along the stair nosings. Once the railing is in position, clamp the railing to the posts.

Step 5 Temporarily assemble the swivel brackets. Position the swivel bracket in location and mark the rail and post. Repeat for other end of railing. *Note: Add $\frac{3}{4}$ " to the marked location on the railing and cut to length.*

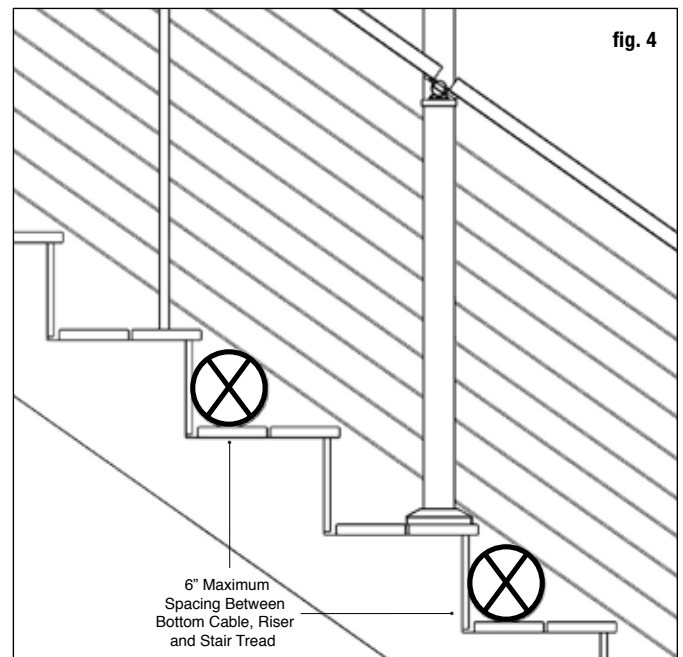
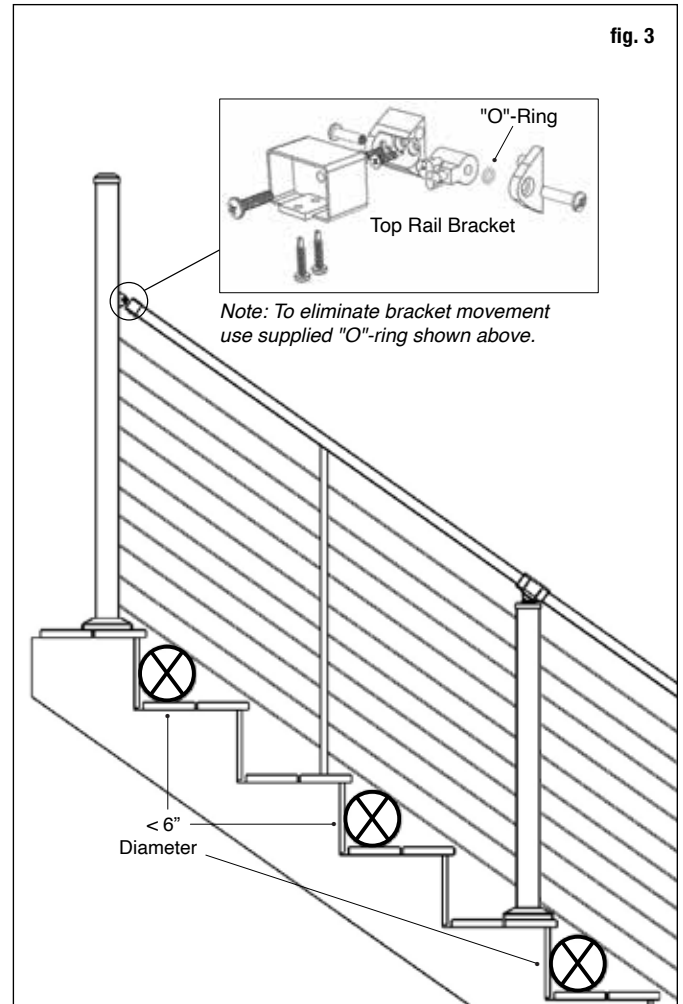
Step 6 Now, mark the locations of the bracket screw holes on the rails. Remove brackets. Pre-drill through the rail only, using a $\frac{7}{64}$ " drill bit. Attach the front end of bracket to rails.

Step 7 Position the rail alongside the posts using 6" maximum spacing between bottom cable, riser, and stair tread. With the top railing resting on the continuous stair rail, center the continuous stair bracket to be centered on the post. Mark the bottom of the bracket. Then cut the post $\frac{3}{8}$ " above the mark to allow for the flange on the bottom side of the bracket (fig. 4).

Step 8 Mark location of the bracket base screw holes on the post. Include the bracket side cover when determining the center location. Pre-drill through the post, using a $\frac{3}{16}$ " drill bit. Position the base of each bracket with the bracket cover side facing the stairs, and attach to the post with two screws.

Step 9 Locate the cable center support near the center of the top rail while allowing for proper cable routing around the stair tread.

Step 10 Set post caps on each post. Secure cap using a $\frac{5}{64}$ " allen wrench.



THE DIAGRAMS AND INSTRUCTIONS IN THIS BROCHURE ARE FOR ILLUSTRATION PURPOSES ONLY AND ARE NOT MEANT TO REPLACE A LICENSED PROFESSIONAL. ANY CONSTRUCTION OR USE OF THE PRODUCT MUST BE IN ACCORDANCE WITH ALL LOCAL ZONING AND/OR BUILDING CODES. THE CONSUMER ASSUMES ALL RISKS AND LIABILITY ASSOCIATED WITH THE CONSTRUCTION OR USE OF THIS PRODUCT. THE CONSUMER OR CONTRACTOR SHOULD TAKE ALL NECESSARY STEPS TO ENSURE THE SAFETY OF EVERYONE INVOLVED IN THE PROJECT, INCLUDING, BUT NOT LIMITED TO, WEARING THE APPROPRIATE SAFETY EQUIPMENT. EXCEPT AS CONTAINED IN THE WRITTEN LIMITED WARRANTY, THE WARRANTOR DOES NOT PROVIDE ANY OTHER WARRANTY, EITHER EXPRESS OR IMPLIED, AND SHALL NOT BE LIABLE FOR ANY DAMAGES, INCLUDING CONSEQUENTIAL DAMAGES.