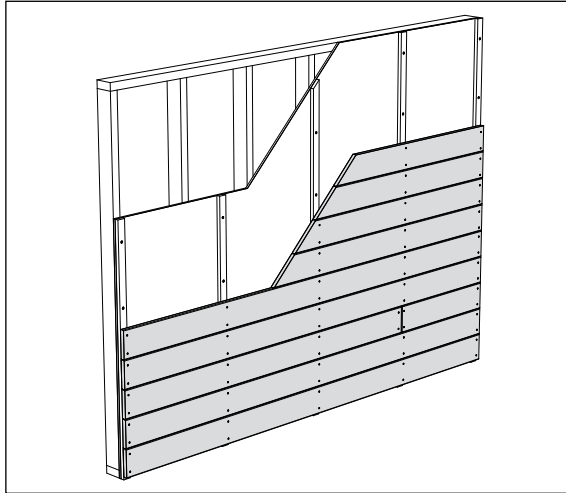


Items You Will Need

- Drill
- Chalk Line
- Tape Measure
- Saw
- Level
- Spacing Tool
- Safety Glasses

Note: When working with Decorators decking as cladding product be sure to wear proper clothing and safety equipment. Safety glasses should be used during the entire installation process.



Decorators - Approved Cladding

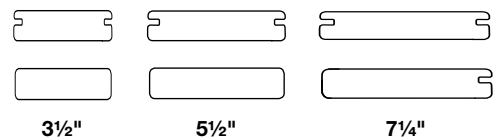
Surestone™ Technology Deck Boards

- (A) Decorators Solid-Edge Boards
- (B) Decorators Grooved-Edge Boards

Size

- 7/8 in. x 3-1/2 in.
- 7/8 in. x 5-1/2 in.
- 7/8 in. x 7-1/4 in.

Note: For available lengths please see Decorators.com



Important:

Outside wall of structure must be weather tight and water proof prior to installing Decorators decking used as cladding. Decorators decking used as cladding is not designed to prevent water infiltration. It is the responsibility of the engineer, architect, and installer to ensure the design and installation of the wall and building are weather tight and code compliant behind the Decorators cladding product. Decorators decking used as cladding must not be used in load bearing applications.

Installation Preparation

Follow these guidelines for best installation:

- Decorators decking is a one-sided product and must be installed with the grain side out.
- Prior to installation, be sure that the wall is structurally sound, weather tight, stud locations are identified and marked, and that there are no nails or screws protruding.
- Ensure that the wall and substructure is flat, as the boards will conform to the surface contour of the wall.
- Spacing of wall studs/supports shall not exceed 16" on center, furring strips should not exceed 24" on center (fig. 5).

Approved Product For Cladding Applications

Note: The fasteners listed below are all approved fasteners for attachment of Decorators decking as cladding to furring strips (fig. 2, fig. 3 and fig. 4).

1. Furring Strip Attachment to Framing/Sheathing:
 - #8 x 1-5/8" Starborn Deckfast Flathead Stainless Deck Screw (fig. 4)
2. Evocation Cladding Attachment to Furring Strips:
 - Starborn Pro Plug® System (fig. 2)
 - #10 x 2" Starborn Cap-Tor® xd Epoxy Coated & Stainless (fig. 2)
 - Decorators® Stowaway™ Hidden Fasteners (fig. 3)
3. See ICC-ES Report ESR-4548 for allowable wind speeds.

Note: Furring strips are not required to be attached to studs. Strips are required to be attached to 7/16" thick rated OSB wall-sheathing.

Gapping & Overhang / Expansion & Contraction

- Gapping is necessary for airflow and the slight thermal expansion and contraction of the Decorators cladding boards.

Gapping Requirements

	Installation temperature	
	Above 32° F (0° C)	Below 32° F (0° C)
Side-to-Side	1/8"	3/16"
End-to-End	1/16"	1/8"
End-to-Side	1/16"	1/8"
Abutting Solid Objects	1/8"	1/4"

fig. 1



Installation - Face Attachment / Pro Plug® System

Approved for Horizontal, Vertical and Diagonal Installation. See figures 5, 7, and 8.

Note: Install code-approved water-resistant barrier as required, before installing furring strips.

(A) Furring Strips

- Chalk a level line based on the lowest point where siding will be installed - optional.
- Maintain a minimum of 1/2" of clearance off grade.
- Attach furring strips to weather tight wall or building structure at no more than maximum spacing of 24" center to center.

(B) Installing First Course

- Determine location of starting course and place the Deckorators Solid-Edge board into position.
- Pre-drill and countersink all deck screws for surface application. If using the Pro Plug® System, pre-drill a pilot hole prior to driving screws. Screws must be driven using the Pro Plug® Hidden Fastener tool to ensure the screws will be driven to the preset level below the deck surface. Fill holes with plugs soon after inserting screw to reduce risk of water, debris or other materials from entering.
- If installing horizontal, check for level and secure board length using two screws per vertical furring strip. If installing vertically, check for plumb and secure board length using two screws per horizontal furring strip.
- Position each screw 1" from cladding board edge.

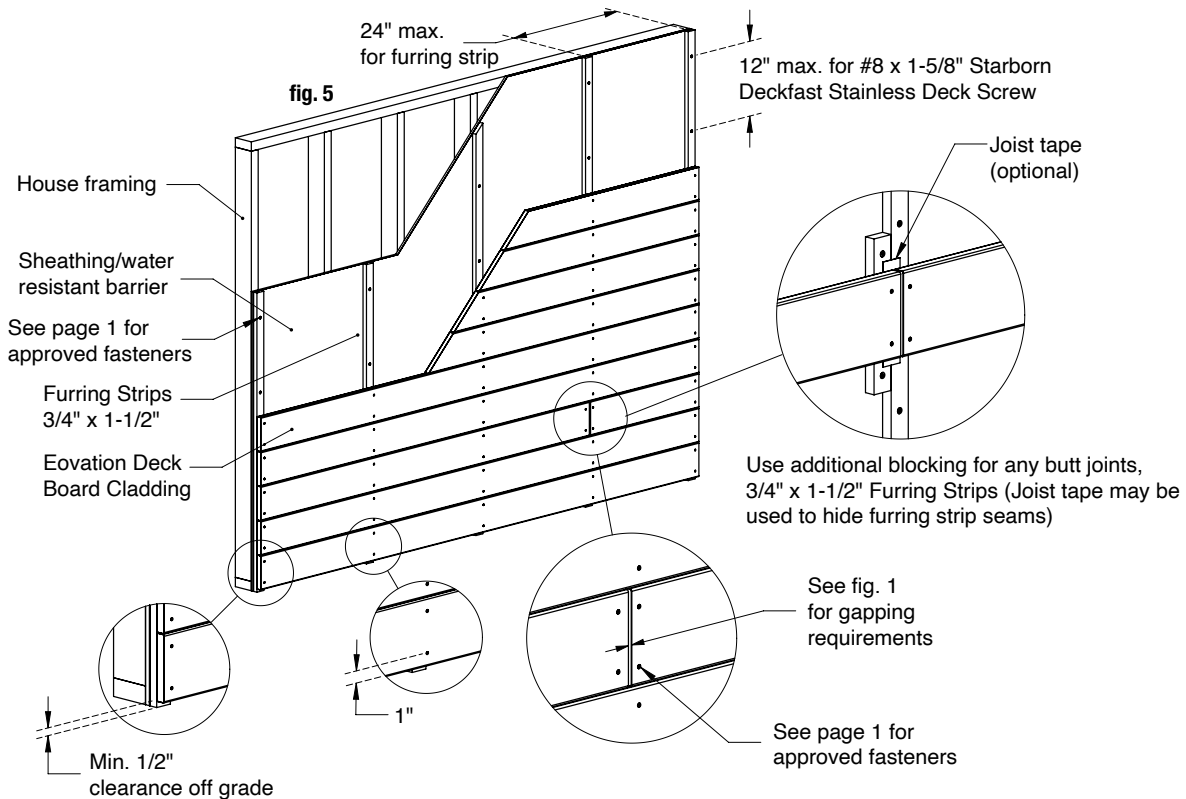
(C) Spacing and Remaining Courses

- Use spacers for consistent gapping and for air circulation.
- Secure the next course making sure to check for level/plumb between boards.
- Stagger all butt joints accordingly to ensure that the joints don't fall on one single furring member. Use additional blocking for any butt joints.

(D) Butt Joints, Adjoining Walls, Windows & Doors

Note: Additional furring may be needed at corners or around wall openings such as doors or windows.

- Frequently check that courses are level at the corners to ensure boards are all aligned.
- Notch boards around openings in the wall.



Important:

- Furring strip spacing to be less than or equal to 24" o.c.
- Furring strip screws to be placed less than or equal to 12" apart
- Maintain a minimum of 1/2" clearance off grade
- Screws for cladding to be placed 1" from edge
- Add additional blocking for any butt joints (3/4" x 1-1/2" Furring Strips)
- Always check that boards are level and plumb

Installation - Deckorators® Stowaway™ Hidden Fasteners

Approved for Horizontal Installation only. See figure 6a.

Note: Install code-approved water-resistant barrier as required, before installing furring strips.

(A) Furring Strips

- Chalk a level line based on the lowest point where siding will be installed - optional.
- Maintain a minimum of 1/2" of clearance off grade.
- Attach furring strips to weather tight wall or building structure at maximum spacing of 24" center to center.

(B) Installing First Course

- Determine location of starting board/strip and place the Deckorators Grooved-Edge board into position.
- Pre-drill and countersink all deck screws for surface application. If using the Pro Plug® System, pre-drill a pilot hole prior to driving screws. Screws should be driven using the Pro Plug® Hidden Fastener tool to a preset level below the cladding board surface. Fill holes with plugs soon after inserting screw to reduce risk of water, debris or other materials from entering.
- Check for level and secure board length using two screws per vertical furring strip.
- Position each screw 1" from cladding board edge.

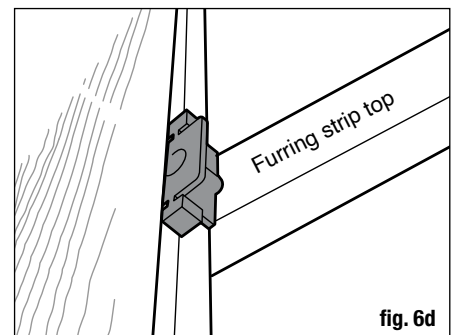
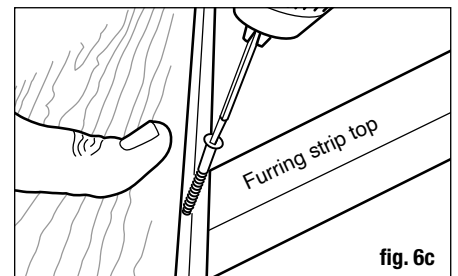
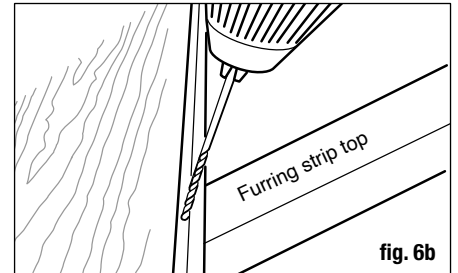
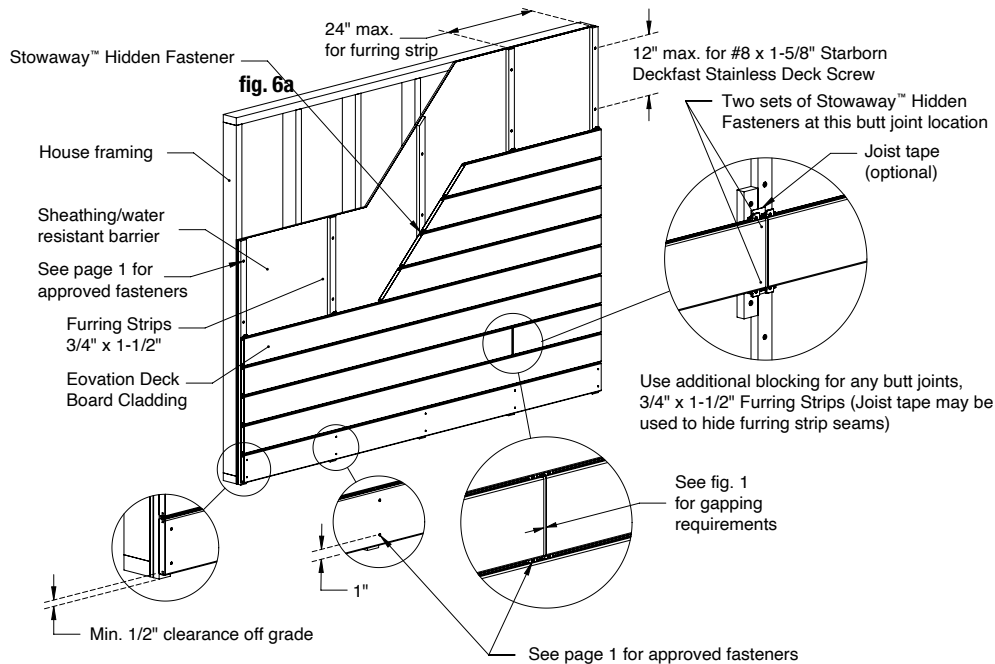
(C) Spacing and Remaining Courses

- The Deckorators® Stowaway™ Hidden Fastener fits into the groove on each side of the cladding board to eliminate pre-drilling and provides a fastener-free cladding surface. To keep the interior boards from moving over time, we require pinning the boards at the center of their length using a #8, 2" stainless steel screw. This holds the deck board in place at the center of each board and allows the decking to expand/contract at the ends. Pre-drill in the groove of the deck board with an 1/8" drill bit (fig. 6b). Drive screw into the groove so it's flush with the bottom of the groove (fig 6c). This will allow you to properly fit a Stowaway hidden fastener into the groove.
- After installing the first row, place a Stowaway™ Hidden Fastener into the cladding board groove and center on the furring strip. Install the preset screw at a 90° angle through the Stowaway™ Hidden Fastener and drive flush. Do not over-tighten. The fastener wings must remain level with the furring strip for the next board to fit correctly (fig. 6d).
- Check for level between boards and continue to repeat previous step.
- Stagger all butt joints accordingly to ensure that the joints don't fall on one single furring member. Use additional blocking for any butt joints.

(D) Butt Joints, Adjoining Walls, Windows & Doors

Note: Additional furring may be needed at corners or around wall openings such as doors or windows.

- Frequently check that courses are level at the corners to ensure boards are all aligned.
- Notch boards around openings in the wall.

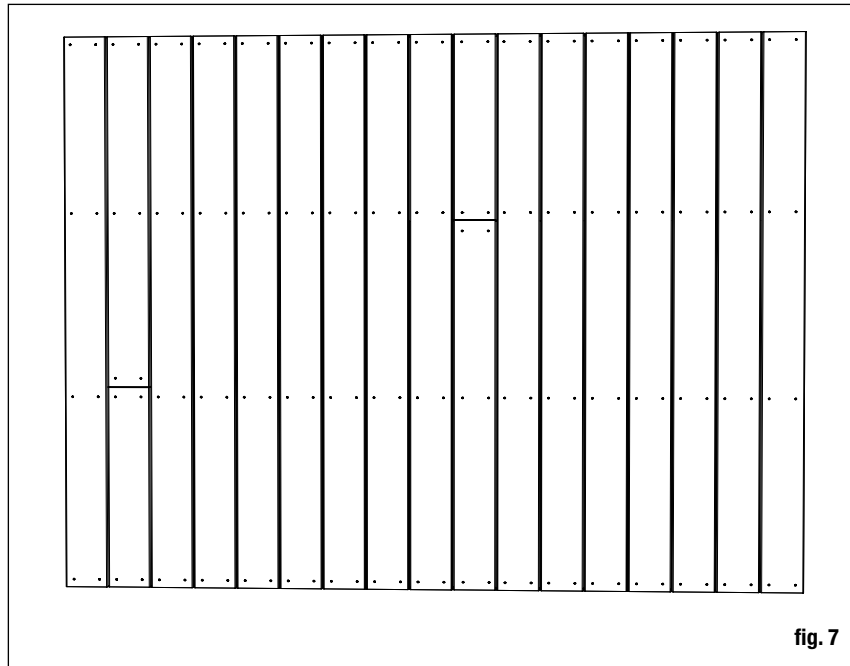


Important:

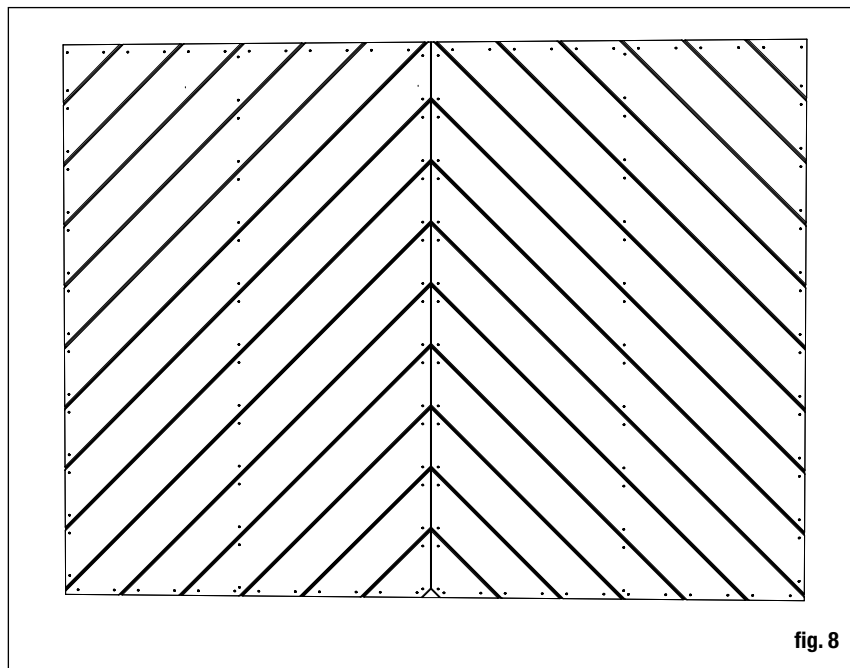
- Furring strip spacing to be less than or equal to 24" o.c.
- Furring strip screws to be placed less than or equal to 12" apart
- Maintain a minimum of 1/2" clearance off grade
- Begin first row with screws as seen illustrated
- Stowaway Hidden Fasteners to be centered on each furring strip
- Add additional blocking for any butt joints (3/4" x 1-1/2" Furring Strips)
- Always check that boards are level and plumb

Alternate Configurations

Vertical (Use face mounted screws only, see fig. 2)



Diagonal (Use face mounted screws only, see fig. 2)



THE DIAGRAMS AND INSTRUCTIONS IN THIS BROCHURE ARE FOR ILLUSTRATION PURPOSES ONLY AND ARE NOT MEANT TO REPLACE A LICENSED PROFESSIONAL. ANY CONSTRUCTION OR USE OF THE PRODUCT MUST BE IN ACCORDANCE WITH ALL LOCAL ZONING AND/OR BUILDING CODES. THE CONSUMER ASSUMES ALL RISKS AND LIABILITY ASSOCIATED WITH THE CONSTRUCTION OR USE OF THIS PRODUCT. THE CONSUMER OR CONTRACTOR SHOULD TAKE ALL NECESSARY STEPS TO ENSURE THE SAFETY OF EVERYONE INVOLVED IN THE PROJECT, INCLUDING, BUT NOT LIMITED TO, WEARING THE APPROPRIATE SAFETY EQUIPMENT. EXCEPT AS CONTAINED IN THE WRITTEN LIMITED WARRANTY, THE WARRANTOR DOES NOT PROVIDE ANY OTHER WARRANTY, EITHER EXPRESS OR IMPLIED, AND SHALL NOT BE LIABLE FOR ANY DAMAGES, INCLUDING CONSEQUENTIAL DAMAGES.