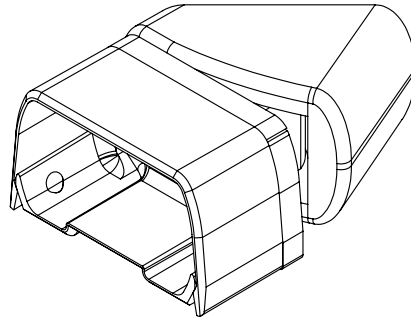


Contents

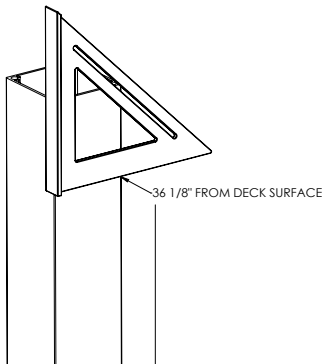
- (4) – Horizontal Angle Bracket Mount
- (4) – Horizontal Angle Bracket Base
- (4) – Bracket Cap
- (12) – #10 x 1" Screws
- (10) – #8 x 1/2" Screws

Required Tools

- Tape Measure
- Pencil
- Power Drill
- Speed Square
- T20 Torx Bit (Provided)
- 1/8" Drill Bit
- Bar Clamp
- Rubber Mallet

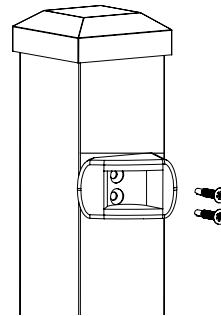


Step 1



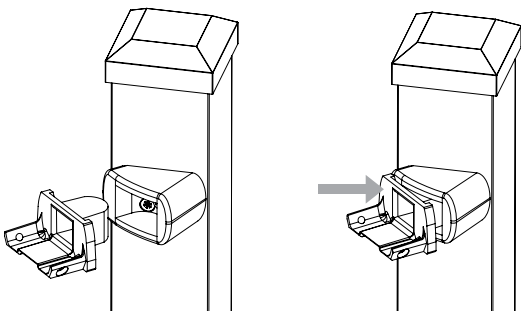
- Measure up 36-1/8" (42-1/8" for a 42" kit) from the deck surface and make a mark on the post for the top bracket mount.
- Make a mark at 4-1/4" from deck surface for the bottom bracket mount.

Step 2

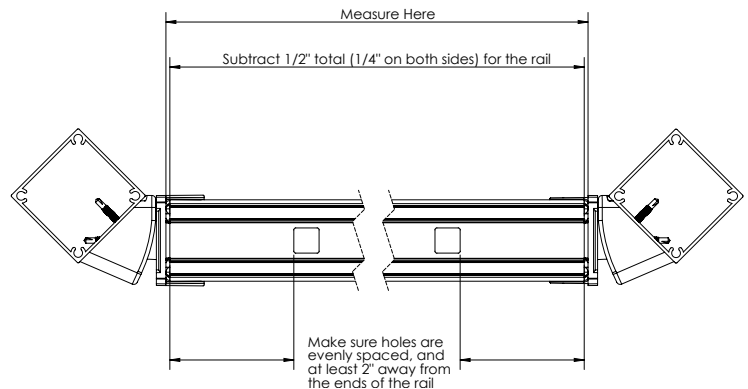


- Line up the top of the bracket mounts with the lines on the post from step 1 and attach using an 1/8" pilot hole and the supplied 1" screws.
- Repeat for any other posts.

Step 3



- Insert the curved back end of the bracket base into the bracket mount.
- Orient the bracket bases into roughly the correct angle.

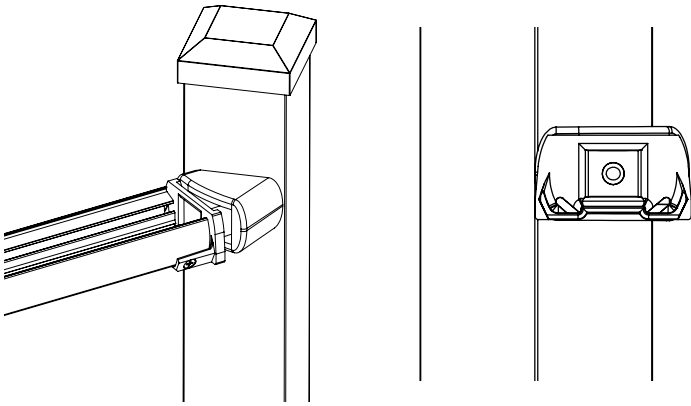


- Measure the distance between the bracket faces shown here.
- Before cutting the rails, ensure the baluster holes have equal spacing to the posts on both sides.

IMPORTANT: If the gap to the first baluster hole is less than 2", you must shift the rail to one side until the gaps are equal and greater than 2".

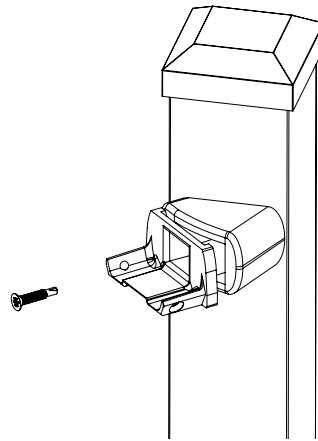
- Subtract 1/2" from this measurement and cut the rails to this dimension.

Step 4



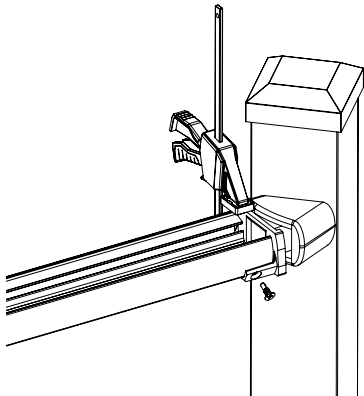
- Set the rail into place on the bracket bases to determine the required bracket angle.
- Use a pencil to mark the hole position in the back of the bracket base.
- Repeat for all other brackets.

Step 5



- Remove the rail.
- Ensure the bracket base is properly aligned with the mark on the bracket mount from step 4.
- Secure the bracket base to the bracket mount using an 1/8" pilot hole and the supplied 1" screw through the back of the bracket base.
Pro-tip: Use the bracket base as a drill guide for the pilot hole.
- Repeat for all other brackets.

Step 6



- Set the rail into place and use a clamp to hold the rail onto the brackets during installation.
- Secure the base rail to the bracket bases using an 1/8" pilot hole and the supplied 1/2" screws.

NOTE: The top base rail has cutouts for the balusters.

Step 7

- Continue assembly according to Step 5 of the Rapid Rail installation instructions.

THE DIAGRAMS AND INSTRUCTIONS IN THIS BROCHURE ARE FOR ILLUSTRATION PURPOSES ONLY AND ARE NOT MEANT TO REPLACE A LICENSED PROFESSIONAL. ANY CONSTRUCTION OR USE OF THE PRODUCT MUST BE IN ACCORDANCE WITH ALL LOCAL ZONING AND/OR BUILDING CODES. THE CONSUMER ASSUMES ALL RISKS AND LIABILITY ASSOCIATED WITH THE CONSTRUCTION OR USE OF THIS PRODUCT. THE CONSUMER OR CONTRACTOR SHOULD TAKE ALL NECESSARY STEPS TO ENSURE THE SAFETY OF EVERYONE INVOLVED IN THE PROJECT, INCLUDING, BUT NOT LIMITED TO, WEARING THE APPROPRIATE SAFETY EQUIPMENT. EXCEPT AS CONTAINED IN THE WRITTEN LIMITED WARRANTY, THE WARRANTOR DOES NOT PROVIDE ANY OTHER WARRANTY, EITHER EXPRESS OR IMPLIED, AND SHALL NOT BE LIABLE FOR ANY DAMAGES, INCLUDING CONSEQUENTIAL DAMAGES.