

CCMC 14092-R

CCMC Canadian code compliance evaluation

CCMC number:	14092-R
Status:	Active
Issue date:	2018-04-13
Modified date:	2023-03-08
Evaluation holder:	<p>Eovations, LLC.</p> <p>5 Meadowcraft Parkway Selma AL 36701 United States</p> <p>Website: www.deckorators.com Telephone: 334-872-1580 Email: bbirchmeier@ufpi.com</p>
Product names:	<ul style="list-style-type: none"> • DecKorators® Pioneer • DecKorators® Vault • DecKorators® Voyage
Code compliance:	NBC 2015, OBC
Evaluation requirements:	CCMC-TG-067315.04-15 "CCMC Technical Guide for Polypropylene Mineral Composite Exterior Decking"

In most jurisdictions this document is sufficient evidence for approval by Canadian authorities.

[Learn more about CCMC recognition](#) [Look for the trusted CCMC mark on products to verify compliance.](#)

Code compliance opinion

It is the opinion of the Canadian Construction Materials Centre that the evaluated products, when used as both exterior decking planks and as stair treads in accordance with the conditions and limitations stated in this evaluation, comply with the following code:

National Building Code of Canada 2015

Code provision	Solution type
9.4.2.1. Application	<u>Alternative</u>
9.4.2.2. Specified Snow Loads	<u>Acceptable</u>
9.4.2.3. Platforms Subject to Snow and Occupancy Loads	<u>Acceptable</u>
9.4.3.1. Deflections	<u>Alternative</u>
9.8.9.1. Loads on Stairs and Ramps	<u>Acceptable</u>
9.8.9.6. Finish for Treads and Landings	<u>Alternative</u>
9.23.15.5. Subfloor Thickness or Rating	<u>Alternative</u>

Ontario Building Code

Ruling No. 18-07-356 (14092-R) authorizing the use of this product in Ontario, subject to the terms and conditions contained in the Ruling, was made by the Minister of Municipal Affairs and Housing on 2018-10-19 pursuant to s.29 of the Building Code Act, 1992 (see Ruling for terms and conditions). This Ruling is subject to periodic revisions and updates.

The above opinion is based on the evaluation by the CCMC of technical evidence provided by the evaluation holder, and is bound by the stated conditions and limitations. For the benefit of the user, a summary of the technical information that forms the basis of this evaluation has been included.

Product information

Product names

- DecKorators® Pioneer
- DecKorators® Vault
- DecKorators® Voyage

Product description

The products have co-extruded proprietary inorganic (mineral) fillers, a virgin polypropylene core and a thin layer of polypropylene cap. The products are a rectangular solid deck board with rounded corners and slotted edges.

The DecKorators® Vault and DecKorators® Voyage boards have an average thickness of 21.2 mm with an average width of 139.7 mm, while the DecKorators® Pioneer boards have an average thickness of 20.3 mm and an average width of 132.1 mm.

DecKorators® Vault boards are available in two colours (dusk and mesquite). DecKorators® Voyage boards are available in six colours (tundra, costa, khaya, mesa, sierra, and sedona). The DecKorators® Pioneer boards are available in four colours (riverside, timberline, lakeview and fieldstone).

The boards are intended to be used as exterior decking installed over traditional structural wood framing (see [Figure 1](#) and [Figure 2](#)).

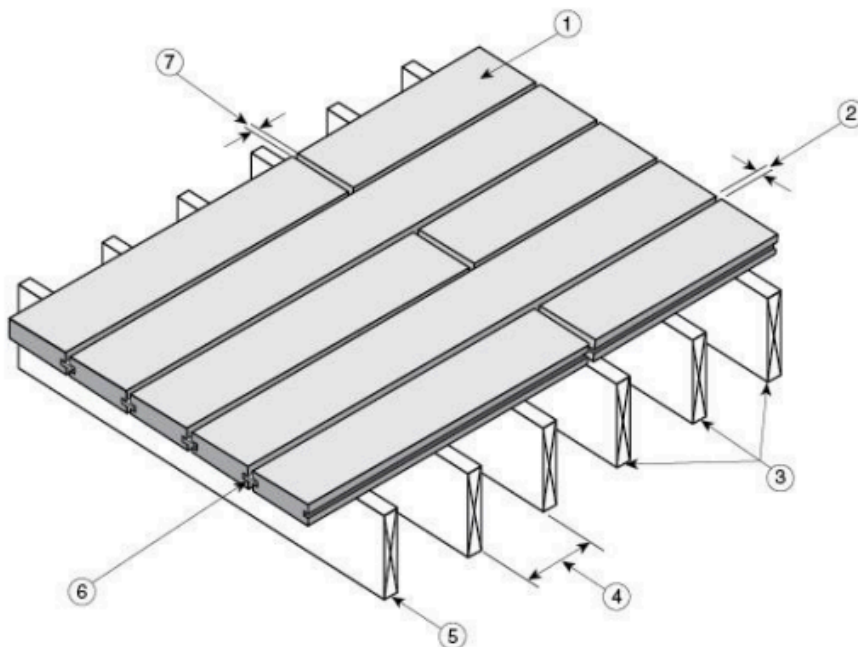


Figure 1. DecKorators® Vault, DecKorators® Voyage, and DecKorators® Pioneer composite deck boards with hidden fastener system

1. DecKorators® Vault, DecKorators® Voyage, and DecKorators® Pioneer deck boards
2. Minimum of 3.2 to 4.8 mm spacing between sides of the planks, depending on temperature at installation
3. Minimum of three joists per plank
4. Maximum joist spacing: 300 mm on centre (o.c.)

This PDF is an alternative version. This document was published on 2023-03-08 and may not be the latest version of this evaluation. Users should consult the latest [published assessment](#) on the [CCMC Registry of Product Assessments](#), which contains the most up to date information. This PDF is intended for use as a record, not the latest information available.

5. Joist designed to support applicable loads
6. DeckKorators® Stowaway™ hidden fasteners provided by manufacturer
7. Minimum of 1.6 to 8.0 mm spacing between ends of the planks, depending on length of plank and temperature at installation

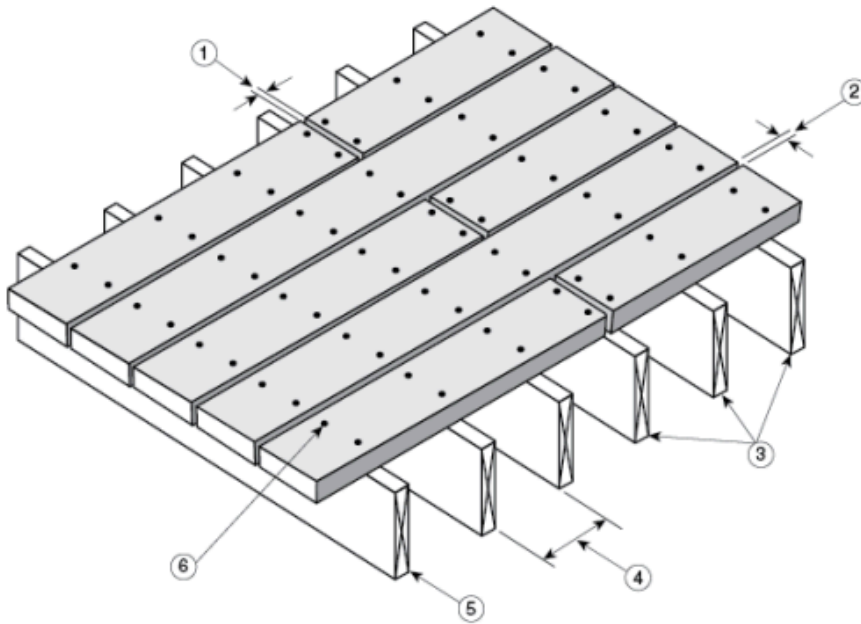


Figure 2. DeckKorators® Vault, DeckKorators® Voyage, and DeckKorators® Pioneer

1. Minimum of 1.6 to 8.0 mm spacing between ends of the planks, depending on length of plank and temperature at installation
2. Minimum of 3.2 to 4.8 mm spacing between sides of the planks, depending on temperature at installation
3. Minimum of three joists per plank
4. Maximum joist spacing: 300 mm o.c.
5. Joist designed to support applicable loads
6. Two 63.5-mm-long fasteners per support

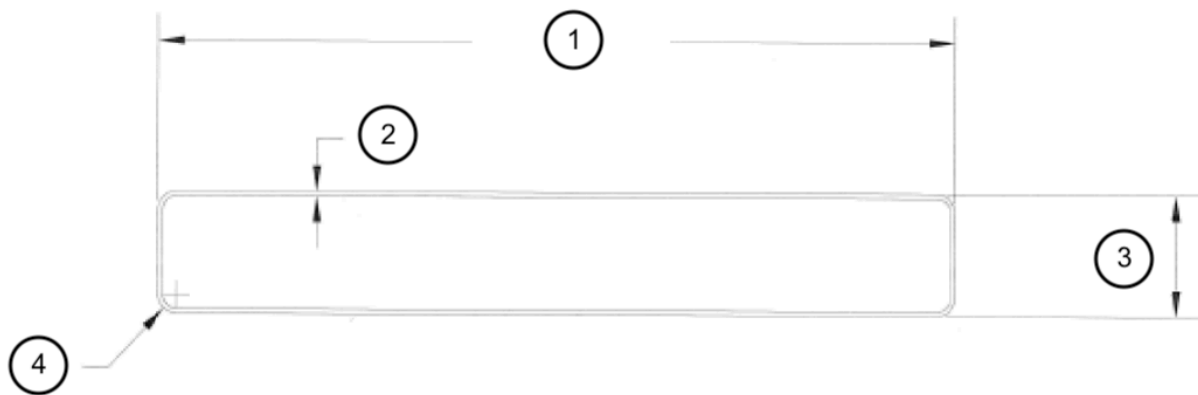


Figure 3. DeckKorators® Vault and DeckKorators® Voyage solid profile

1. 139.7 mm
2. 0.76 mm CAP
3. 21.2 mm
4. R3.2 mm

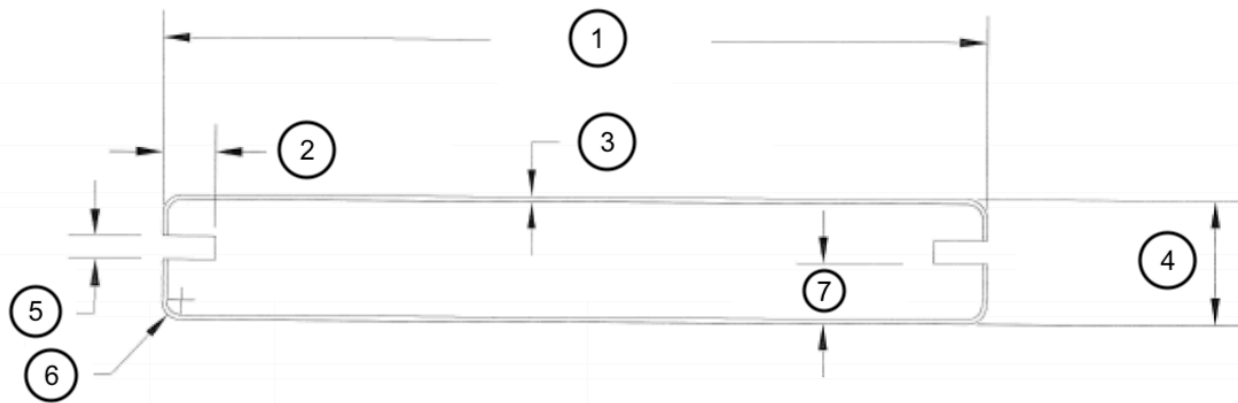


Figure 4. DeckKorators® Vault and DeckKorators® Voyage grooved profile

1. 139.7 mm
2. 8.9 mm
3. 0.76 mm CAP
4. 21.2 mm
5. 4.1 mm
6. R3.2 mm
7. 10.2 mm

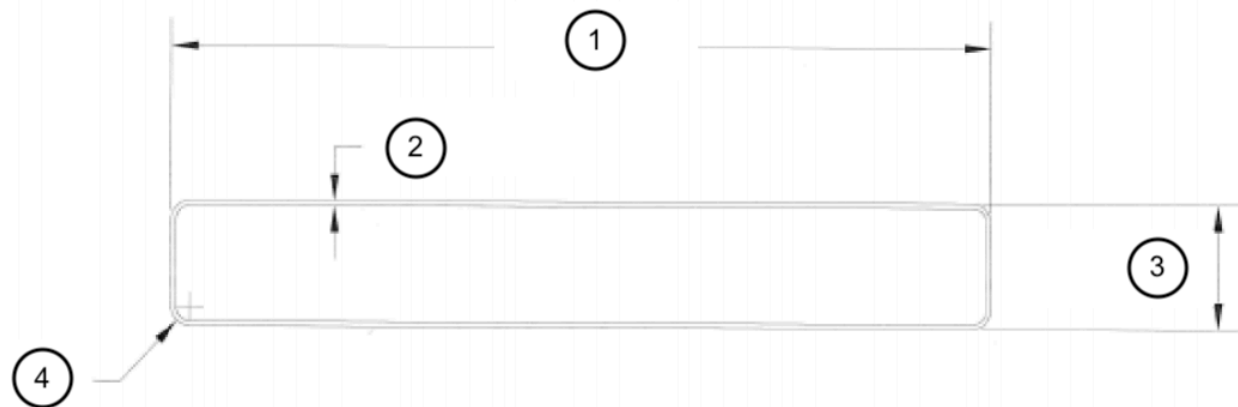


Figure 5. DeckKorators® Pioneer solid profile

1. 132.1 mm
2. 0.76 mm CAP
3. 20.3 mm
4. R3.2 mm

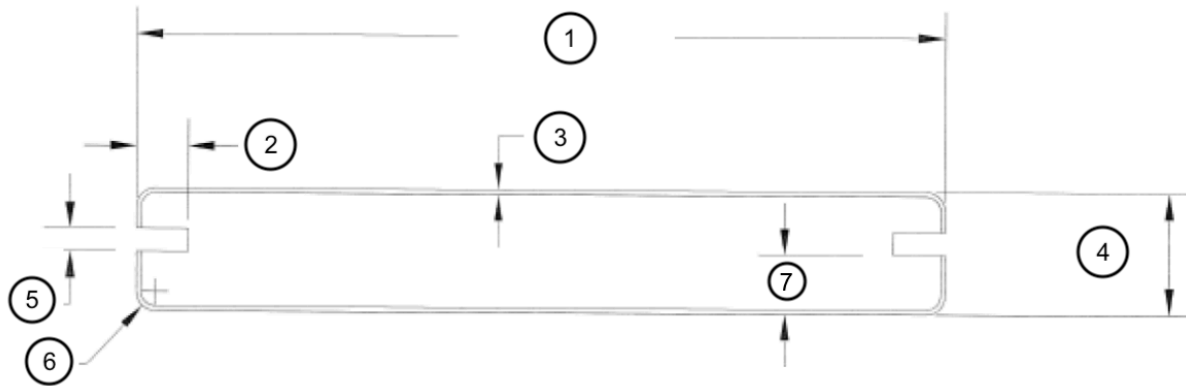


Figure 6. DeckKorators® Pioneer grooved profile

1. 132.1 mm
2. 8.9 mm
3. 0.76 mm CAP
4. 20.3 mm
5. 4.1 mm
6. R3.2 mm
7. 10.2 mm

Manufacturing plant

This evaluation is valid only for products produced at the following plant:

Product names	Manufacturing plant
	Selma, AL, US
DeckKorators® Pioneer	☑
DeckKorators® Vault	☑
DeckKorators® Voyage	☑

☑ Indicates that the product from this manufacturing facility has been evaluated by the CCMC

Conditions and limitations

The CCMC's compliance opinion is bound by this product being used in accordance with the conditions and limitations set out below.

- The planks must be installed with supports spaced at no greater than 300 mm o.c.
- The products must be fastened to the wood joists with fasteners conforming to Article 9.23.3.1., Standards for Nails and Screws, of Division B of the NBC 2015. The fasteners must have a corrosion protection coating ⁽¹⁾ or be made of stainless steel. The planks must be fastened with a minimum of two fasteners 63.5 mm in length per support.
- The products can also be installed using the DeckKorators[®] Stowaway[™] hidden plastic fastening system as supplied by the manufacturer.
- Products must not be installed at a temperature below -7°C.
- The products must be gapped end-to-end based on the length of the plank and the temperature at installation. The end-to-end gapping must be a minimum of 1.6 mm to 8 mm depending on the installation temperature and the expected highest temperature in a year at the geographical location where the products are installed. Refer to DeckKorators Solid Decking Installation Instructions (Document reference# 10534 1/23) and DeckKorators Grooved Decking Installation Instructions (Document reference# 10533 1/23) for detailed end-to-end gapping requirements.
- The width-to-width gapping must be a minimum of 3.2 mm at a temperature above 0°C and a minimum of 4.8 mm for installations at a temperature below 0°C.
- The products are not to be considered equivalent to dimensional lumber.
- The planks with a solid profile (section) can be used as stair treads at 230 mm (9 in.) o.c. spacing.
- The products should be installed by a knowledgeable person familiar with the product installation guide.
- Where possible, the label or packaging of the products must be identified with the manufacturer's name or logo and the phrase "CCMC 14092-R."

Note

- ¹ As of January 2004, pressure-treated lumber requires specific hot-dipped galvanized fasteners for satisfactory performance.
-

Technical information

This evaluation is based on demonstrated conformance with the following criteria:

Criteria number	Criteria name
CCMC-TG-067315.04-15	CCMC Technical Guide for Polypropylene Mineral Composite Exterior Decking

The evaluation holder has submitted technical documentation for the CCMC's evaluation. Testing was conducted at laboratories recognized by the CCMC. The corresponding technical evidence for this product is summarized below.

Performance requirements

Basic physical and mechanical properties

Table 1. Results of testing the basic physical and mechanical properties of the products

Property	Unit	Requirement	Result
Dimensional change – coefficient of linear expansion (thermal) – longitudinal	°C ⁻¹	$\leq 2 \times 10^{-5}$	0.96×10^{-5}
Dimensional change – coefficient of linear expansion (thermal) – cross-sectional	°C ⁻¹	$\leq 2 \times 10^{-5}$	7.03×10^{-5} ⁽¹⁾
Strength and stiffness – modulus of elasticity (MOE) – Vault and Voyage	MPa	≥ 750	2 466
Strength and stiffness – modulus of elasticity (MOE) – Pioneer	MPa	≥ 750	2 435
Strength and stiffness – modulus of rupture (MOR) – Vault and Voyage	MPa	≥ 9	34
Strength and stiffness – modulus of rupture (MOR) – Pioneer	MPa	≥ 9	35
Strength and stiffness – impact resistance	J/m	≥ 53.4	1 224.3
Strength and stiffness – hardness	kN	≥ 1.8	3.1
Strength and stiffness – creep, recovery, and load duration ⁽²⁾	%	$\leq 25\%$ for creep	45 ⁽³⁾
Strength and stiffness – creep, recovery, and load duration ⁽²⁾	%	$\geq 75\%$ for recovery	80
Strength and stiffness – creep, recovery, and load duration ⁽²⁾	%	No specimen failure in step 6	No specimen failure
Strength and stiffness – impact resistance (after weathering)	%	$\geq 75\%$ of non-weathered value	97.1
Strength and stiffness – MOE (after accelerated aging)	%	$\geq 50\%$ of non-aged value	87.0
Strength and stiffness – MOR (after accelerated aging)	%	$\geq 50\%$ of non-aged value	98.4
Fastener holding capacity – fastener withdrawal strength – deck screws	N	≥ 600	1 712

This PDF is an alternative version. This document was published on 2023-03-08 and may not be the latest version of this evaluation. Users should consult the latest [published assessment](#) on the [CCMC Registry of Product Assessments](#), which contains the most up to date information. This PDF is intended for use as a record, not the latest information available.

Property	Unit	Requirement	Result
Fastener holding capacity – fastener withdrawal strength – proprietary hidden fastening system	N	≥ 600	1 037
Fastener holding capacity – lateral fastener strength – deck screws	N	≥ 720	3 263
Fastener holding capacity – lateral fastener strength – proprietary hidden fastening system	N	≥ 720	2 701
Flame-spreading rating	No unit	≤ 200	100
Smoke developed classification	No unit	Report	385

Notes

- 1 The results are deemed as acceptable based on the manufacturer's gapping installation instructions.
- 2 Creep, recovery, and load duration has been tested at 400 mm o.c. joist spacing.
- 3 The results are deemed acceptable with the limitation of 300 mm o.c. joist spacing.

Performance under concentrated static and impact loads

Table 2. Results of testing the concentrated static load for DecKorators® Vault and DecKorators® Voyage ⁽¹⁾

Property	Requirement – minimum ultimate load (kN)	Requirement – maximum deflection under 0.89 kN load for 400 mm span (mm)	Result ⁽²⁾ – ultimate load (kN)	Result ⁽²⁾ – deflection under 0.89 kN load (mm)
Concentrated load – decking at 50°C	2.45	2.00	4.78	6.83 ⁽³⁾
Concentrated load – decking at 20°C	2.45	2.00	6.44	4.59 ⁽³⁾
Concentrated load – decking at –35°C	2.45	2.00	9.04	2.62 ⁽³⁾

Notes

- 1 The results have been given only for grooved sections since the results for grooved sections were more conservative compared to the results for solid sections.
- 2 The results are for planks with supports at 400 mm o.c.
- 3 The results are deemed acceptable. The planks must be installed with supports no greater than 300 mm o.c. Each plank must be supported by at least three supports.

Table 3. Results of testing the concentrated static load for DecKorators® Pioneer ⁽¹⁾

Property	Requirement – minimum ultimate load (kN)	Requirement – maximum deflection under 0.89 kN load for 300 mm span (mm)	Result ⁽²⁾ – ultimate load (kN)	Result ⁽²⁾ – deflection under 0.89 kN load (mm)
Concentrated load – decking at 50°C	2.45	1.62	5.50	4.14 ⁽³⁾
Concentrated load – decking at 20°C	2.45	1.62	6.97	2.63 ⁽³⁾
Concentrated load – decking at –35°C	2.45	1.62	9.49	1.90 ⁽³⁾

Notes

- ¹ The results have been given only for grooved sections since the results for grooved sections were more conservative compared to the results for solid sections.
- ² The results are for planks with supports at 300 mm o.c.
- ³ The results exceed the requirements. The additional deflection will not impact the overall performance.

Table 4. Results of testing the impact load for DecKorators® Vault and DecKorators® Voyage ⁽¹⁾

Property	Requirement – minimum ultimate load following impact load of 100 N-m (kN)	Requirement – maximum deflection under 0.89 kN load following impact load for 400 mm span (mm)	Result ⁽²⁾ – load of 1.78 kN following impact load of 100 N-m	Result ⁽²⁾ – deflection under 0.89 kN load following impact load (mm)
Impact load – decking at 50°C	1.78	2.00	No break	4.41 ⁽³⁾

Notes

- ¹ The results have been given only for grooved sections since the results for grooved sections were more conservative compared to the results for solid sections.
- ² The test results are for planks with supports at 400 mm o.c.
- ³ The results are deemed acceptable. Although this result exceeds the 2.00-mm requirement, the additional deflection is not considered significant for material at 50°C.

Table 5. Results of testing the impact load for DeckKorators® Pioneer ⁽¹⁾

Property	Requirement – minimum ultimate load following impact load of 100 N-m (kN)	Requirement – maximum deflection under 0.89 kN load following impact load for 300 mm span (mm)	Result ⁽²⁾ – load of 1.78 kN following impact load of 100 N-m	Result ⁽²⁾ – deflection under 0.89 kN load following impact load (mm)
Impact load – decking at 50°C	1.78	1.62	No break	2.88 ⁽³⁾

Notes

- ¹ The results have been given only for grooved sections since these results were more conservative compared to the results for solid sections.
- ² The test results are for planks with supports at 300 mm o.c.
- ³ The results are deemed acceptable. Although this result exceeds the 1.62 mm-requirement, the additional deflection is not considered significant for material at 50°C.

Table 6. Results of testing the performance of stair treads under a concentrated static load for DeckKorators® Vault and DeckKorators® Voyage ⁽¹⁾

Property	Requirement – minimum ultimate load (kN)	Requirement – maximum deflection under 1 kN (mm)	Result ⁽²⁾ – applied ultimate load (kN)	Result ⁽²⁾ – deflection under 1 kN (mm)
Concentrated static load – stair tread	5 ⁽³⁾	0.75	12.54	1.68 ⁽⁴⁾
Concentrated static load – stair tread nosing	5 ⁽⁵⁾	0.75	6.76	1.68 ⁽⁴⁾

Notes

- ¹ This test was conducted only on planks with solid sections. Only the specified planks (with solid sections) may be used as stair treads.
- ² Test results are for 50°C test condition for stair stringers spaced at 230 mm o.c. Three specimens were submitted for each test.
- ³ Applied through a 75-mm-diameter disk positioned at the centre line of the plank and midway between stringers.
- ⁴ Although the deflection is slightly higher than the allowed limit, the applied ultimate load was 150% higher than the minimum required ultimate load. Therefore, this deflection result was deemed acceptable.

⁵ Applied through a 38-mm-diameter disk positioned along the outside edge of the nosing at the stringer location.

Table 7. Results of testing the performance of stair treads under a concentrated static load for DecKorators® Pioneer ⁽¹⁾

Property	Requirement – minimum ultimate load (kN)	Requirement – maximum deflection under 1 kN (mm)	Result ⁽²⁾ – applied ultimate load (kN)	Result ⁽²⁾ – deflection under 1 kN (mm)
Concentrated static load – stair tread	5 ⁽³⁾	0.75	12.22	1.75 ⁽⁴⁾
Concentrated static load – stair tread nosing	5 ⁽⁵⁾	0.75	8.15	1.75 ⁽⁴⁾

Notes

- ¹ This test was conducted only on planks with solid sections. Only the specified planks (with solid sections) may be used as stair treads.
- ² The test results are for 50°C test condition for stair stringers spaced at 230 mm o.c. Three specimens were submitted for each test.
- ³ Applied through a 75-mm-diameter disk positioned at the centre line of the plank and midway between stringers.
- ⁴ Although the deflection is slightly higher than the allowed limit, the applied ultimate load was 144% higher than the minimum required ultimate load. Therefore, the deflection result was deemed acceptable.
- ⁵ Applied through a 38-mm-diameter disk along the outside edge of the nosing at the stringer location.

Durability

Table 8. Results of testing the durability of the products

Property	Requirement	Result – S-P-F lumber	Result – DecKorators® Vault and DecKorators® Voyage
MOE	Mean percentage loss in MOE after UV exposure. ⁽¹⁾ Accelerated aging ⁽²⁾ must be less than or equal to spruce lumber.	14.5%	6.1%
MOR	Mean percentage loss in MOR after UV exposure. ⁽¹⁾ Accelerated aging ⁽²⁾ must be less than or equal to spruce lumber.	43.6%	0.1%

This PDF is an alternative version. This document was published on 2023-03-08 and may not be the latest version of this evaluation. Users should consult the latest [published assessment](#) on the [CCMC Registry of Product Assessments](#), which contains the most up to date information. This PDF is intended for use as a record, not the latest information available.

Notes

- 1 4 000 h of Cycle 1 as outlined in Appendix X3.1 of ASTM G 155-13, "Standard Practice for Operating Xenon Arc Light Apparatus for Exposure on Non-Metallic Materials".
- 2 The accelerated aging cycle, which includes wetting, freezing, thawing and drying, is repeated five times.
-

Walking surface finish quality and slip resistance

Table 9. Results of testing the slip resistance properties of the products

Property	Requirement	Result – parallel to planks	Result – perpendicular to planks
Slip resistance (longitudinal) – dry condition – Vault and Voyage	> 0.5 (ASTM F 1679-04)	0.73	0.74
Slip resistance (longitudinal) – wet condition – Vault and Voyage	> 0.5 (ASTM F 1679-04)	0.66	0.69
Slip resistance (longitudinal) – dry condition – Pioneer	> 0.5 (ASTM F 1679-04)	0.64	0.70
Slip resistance (longitudinal) – wet condition – Pioneer	> 0.5 (ASTM F 1679-04)	0.54	0.61

Administrative information

Disclaimer

This evaluation is issued by the Canadian Construction Materials Centre (CCMC), a part of the Construction Research Centre at the National Research Council of Canada (NRC). The evaluation must be read in the context of the entire [CCMC Registry of Product Assessments](#) and the legislated applicable building code in effect.

The CCMC was established in 1988 on behalf of the applicable regulator (i.e., the provinces and territories) to ensure—through assessment—conformity of alternative and acceptable solutions to regional building codes as determined by the local authority having jurisdiction (AHJ) as part of the issuance of a building permit.

It is the responsibility of the local AHJs, design professionals, and specifiers to confirm that the evaluation is current and has not been withdrawn or superseded by a later issue. Please refer to [the website](#) or contact:

Canadian Construction Materials Centre

Construction Research Centre
National Research Council of Canada
1200 Montreal Road
Ottawa, Ontario, K1A 0R6
Telephone: 613-993-6189
Fax: 613-952-0268

The NRC has evaluated the material, product, system or service described herein only for those characteristics stated herein. The information and opinions in this evaluation are directed to those who have the appropriate degree of experience to use and apply its contents (i.e., AHJs, design professionals and specifiers). This evaluation is only valid when the product is installed in strict compliance with the stated conditions and limitations of evaluation and the applicable local building code. In circumstances where no applicable local building permit is issued and that no confirmation of compliance 'for use in the intended field application' is undertaken, this evaluation is null and void in all respects. This evaluation is provided without representation, warranty, or guarantee of any kind, expressed, or implied, and the NRC provides no endorsement for any evaluated material, product, system or service described herein. The NRC accepts no responsibility whatsoever arising in any way from any and all use and reliance on the information contained in this evaluation with respect to its compliance to the referenced code(s) and standard(s). The NRC is not undertaking to render professional or other services on behalf of any person or entity nor to perform any duty owed by any person or entity to another person or entity.

Language

Une version française de ce document est disponible.

In the case of any discrepancy between the English and French version of this document, the English version shall prevail.

Copyright

© His Majesty the King in Right of Canada, as represented by the National Research Council of Canada, 2022

All rights reserved. No part of this publication may be reproduced, stored in a retrieval system, or transmitted in any form or by any means, electronic, mechanical, photocopying, recording or otherwise, without the prior written permission of the CCMC.

This PDF is an alternative version. This document was published on 2023-03-08 and may not be the latest version of this evaluation. Users should consult the latest [published assessment](#) on the [CCMC Registry of Product Assessments](#), which contains the most up to date information. This PDF is intended for use as a record, not the latest information available.

CCMC recognition

The Canadian Construction Materials Centre (CCMC) assesses compliance with Canadian building, energy and safety codes. We are the only construction code compliance service supported and operated by the Government of Canada. Trusted by over 6,000 regulators across Canada.

Most Canadian authorities having jurisdiction (AHJs) consider CCMC product assessments acceptable as evidence for product approval.

CCMC assessments are recognized by construction authorities across Canada:

Alliance of Canadian Building Official Associations (ACBOA)



[\(Alliance of Canadian Building Official Associations \(ACBOA\)\)](#)

First Nations National Building Officers Association (FNNBOA)



[\(First Nations National Building Officers Association \(FNNBOA\)\)](#)

Canadian Home Builders' Association (CHBA)



[\(Canadian Home Builders' Association \(CHBA\)\)](#)

Alberta Building Officials Association (ABOA)



[\(Alberta Building Officials Associations \(ABOA\)\)](#)

Saskatchewan Building Officials Association (SBOA)



[\(Saskatchewan Building Officials Association \(SBOA\)\)](#)

Manitoba Building Officials Association (MBOA)



[\(Manitoba Building Officials Association \(MBOA\)\)](#)

Ontario Building Officials Association (OBOA)



[\(Ontario Building Officials Association \(OBOA\)\)](#)

New Brunswick Building Officials Association (NBBOA)



[\(New Brunswick Building Officials Association \(NBBOA\)\)](#)

Nova Scotia Building Officials Association (NSBOA)



[\(Nova Scotia Building Officials Association \(NSBOA\)\)](#)

The CCMC provides code compliance assessments to Canadian code requirements, consulting nationwide with construction regulators to elicit regional variations in code requirements as well as provincial and local interpretations. Users are advised to review the technical information presented in CCMC assessments when making approval decisions. [Learn more about how the CCMC provides a unique service for Canada.](#)

For more information, contact the CCMC by phone at (613) 993-6189 or by email at ccmc@nrc-cnrc.gc.ca

NOTICE

The information presented on this webpage (in HTML format) is the most up-to-date information available from the CCMC about this assessment.

By downloading this PDF you acknowledge that:

- this PDF is intended for record-keeping purposes only,
- it represents the information as it was available at the time of downloading, and
- it may not reflect the latest available information at some future date.

References to this CCMC assessment (in product literature, on websites, etc.) must be made by linking to the evaluation webpage. **This PDF must not be used as a means of distributing this assessment to an audience.**

[View PDF \(Portable document format\)](#)

Code compliance as an acceptable solution

Code Compliance via Acceptable Solutions

If a building design (e.g. material, component, assembly or system) can be shown to meet all provisions of the applicable **acceptable solutions** in Division B (e.g. it complies with the applicable provisions of a referenced standard), it is deemed to have satisfied the objectives and functional statements linked to those provisions and thus to have complied with that part of the Code.

— National Building Code of Canada, Sentence A-1.2.1.1.(1)(a)

The CCMC has determined that compliance with this provision of the Code has been demonstrated as an **Acceptable Solution**. The evaluation report provides a summary of the basis of CCMC's compliance opinion.

CCMC's code compliance opinions

All CCMC evaluation reports are opinions of code compliance established in accordance with the National Building Code of Canada, Subsection 1.2.1. "Compliance with this Code," which requires compliance to be achieved by:

- complying with the applicable acceptable solutions in Division B, or
- using an alternative solution that will achieve at least the minimum level of performance required by Division B in the areas defined by the objective and functional statements attributed to the applicable acceptable solutions.

The CCMC assesses compliance with Canadian building, energy and safety codes, and is trusted by over 6,000 regulators across Canada.

Code compliance as an alternative solution

Code Compliance via Alternative Solutions

Where a design differs from the acceptable solutions in Division B, then it should be treated as an **"alternative solution."** A proponent of an alternative solution must demonstrate that the alternative solution addresses the same issues as the applicable acceptable solutions in Division B and their attributed objectives and functional statements. However, because the objectives and functional statements are entirely qualitative, demonstrating compliance with them in isolation is not possible. Therefore, Clause 1.2.1.1.(1)(b) identifies the principle that Division B establishes the quantitative performance targets that alternative solutions must meet. In many cases, these targets are not defined very precisely by the acceptable solutions [...] Nevertheless, Clause 1.2.1.1.(1)(b) makes it clear that an effort must be made to demonstrate that an alternative solution will perform as well as a design that would satisfy the applicable acceptable solutions in Division B—not “well enough” but “as well as.”

— National Building Code of Canada, Sentence A-1.2.1.1.(1)(b)

The CCMC has determined that compliance with this provision of the Code has been demonstrated as an **Alternative Solution**. The evaluation report provides a summary of the basis of CCMC's compliance opinion.

CCMC's code compliance opinions

All CCMC evaluation reports are opinions of code compliance established in accordance with the National Building Code of Canada, Subsection 1.2.1. "Compliance with this Code," which requires compliance to be achieved by:

- complying with the applicable acceptable solutions in Division B, or
- using an alternative solution that will achieve at least the minimum level of performance required by Division B in the areas defined by the objective and functional statements attributed to the applicable acceptable solutions.

The CCMC assesses compliance with Canadian building, energy and safety codes, and is trusted by over 6,000 regulators across Canada.