

### WHAT IS INCLUDED

- A. (2) Horizontal Frame Channel
- B. (2) Vertical Frame Channel
- C. (4) Privacy Screen Brackets
- D. (24) 7/8" Board Spacer
- E. Hardware Kit
  - 1. (28) #8 x 1/2" Screw
  - 2. (8) #10 x 1" Screw
  - 3. (1) T20 Torx Bit

### NOT INCLUDED

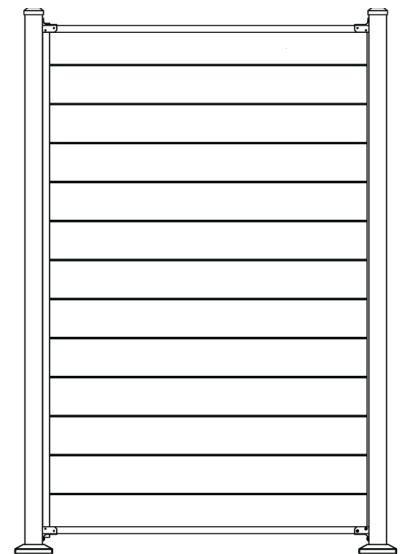
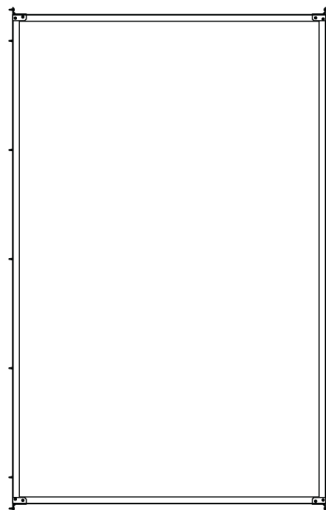
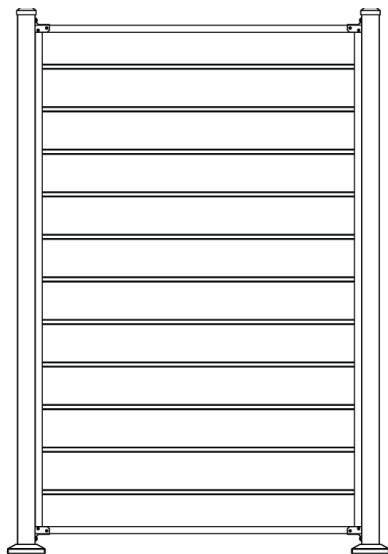
- 1. 2-1/2" x 2-1/2" x 76" Privacy Screen Flanged Post Kit (#544660)
- 2. Privacy Screen Infill Options
  - a. 7/8" Decorators Full Profile Decking or any 7/8" Thick Material

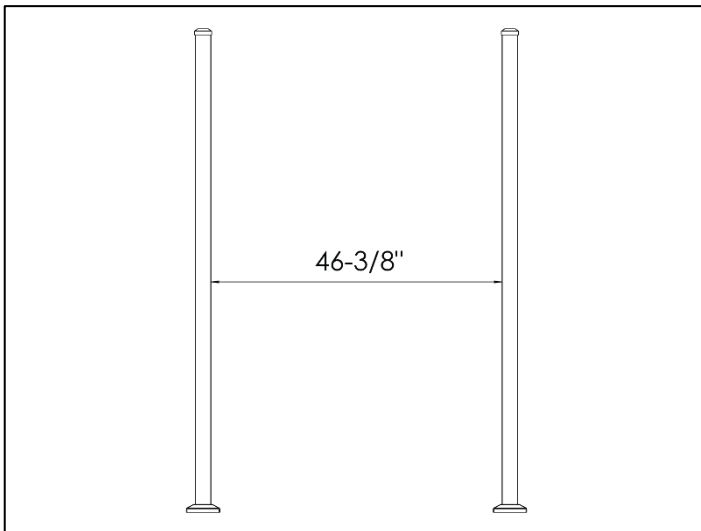
### TOOLS AND ITEMS NEEDED

- Drill/power screwdriver
- Tape measure
- Marked speed square
- Level
- Pencil
- Safety glasses/goggles

### PRO TIPS

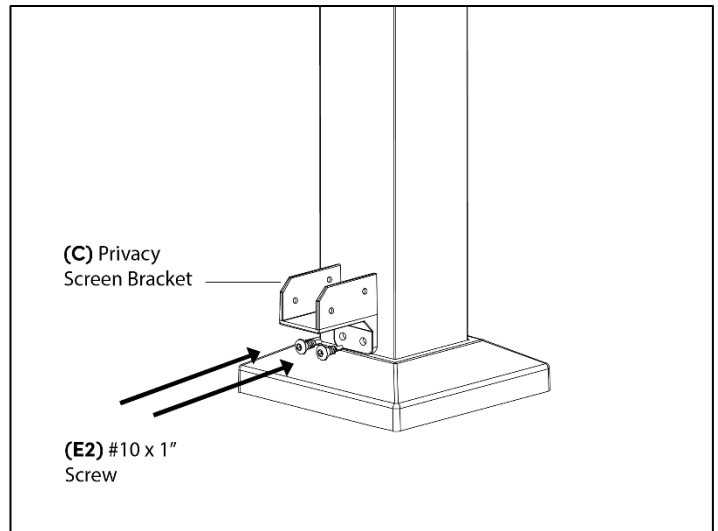
- This kit is designed for a 46-3/8" span between posts.
- Note that your post and mounting method is purchased separately from the Privacy Screen Frame Kit.





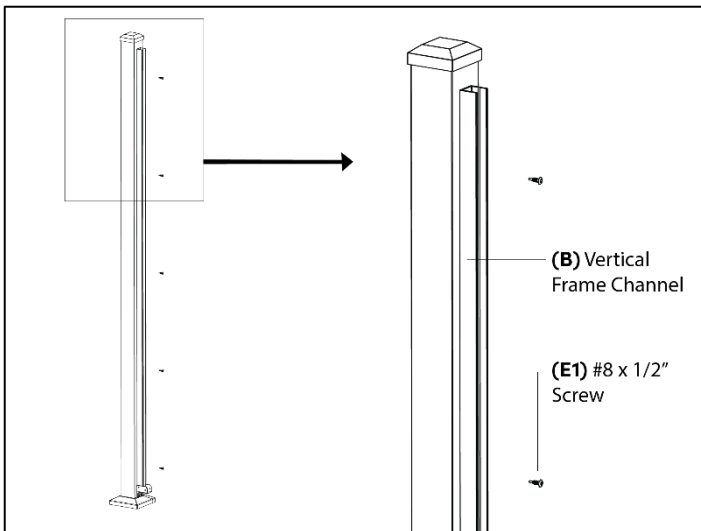
### STEP 1 – Option 1: Set Flanged Posts

- Set post bases so that the space between each post face is 46-3/8"
- Ensure that posts are set vertically plumb and parallel to each other.
- Secure posts to mounting surface with proper fasteners for your mounting surface according to the post instructions.
- Repeat for the other post.



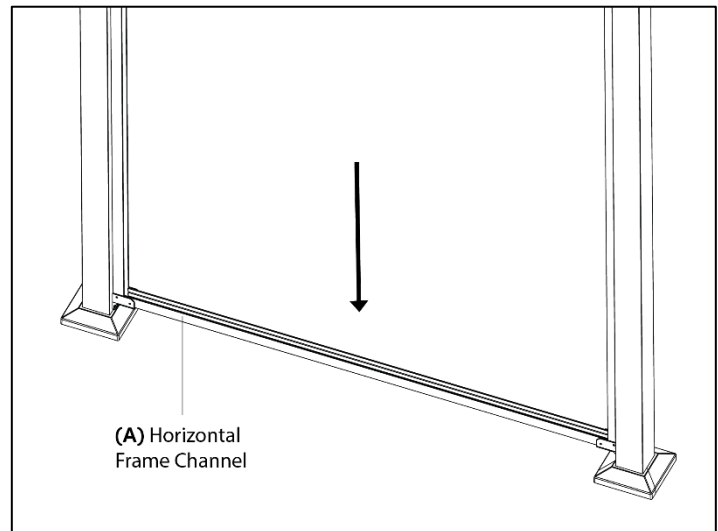
### STEP 2 – Attach Lower Brackets

- Set the bottom bracket (C) directly on top of the post skirt and centered on the post. This measurement is 1-1/2" from the bottom of the post if using a post extension kit.
- Making sure the bracket is square and centered, attach using an 1/8" pilot hole and (2) supplied #10 x 5/8" screws (E2).
- Repeat for the other post.
- Pro-tip: You can use a chalk line across multiple Privacy Screen kits to ensure the infill kits are level with each other.



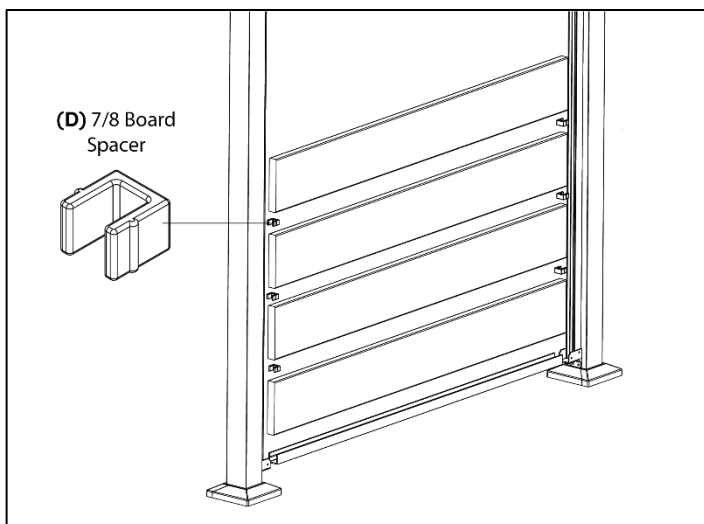
### STEP 3 – Attach Side Frame Channels

- Set the vertical frame channel (B) into the bracket (C) with the opening of the channel facing away from the post.
- Make sure the frame channel (B) is plumb and centered on the post.
- Use a clamp to hold your frame channel in place.
- Attach using 1/8" pilot holes and (5) #8 x 1/2" screws (E1) located in the pre-cut slots.
- Repeat for other post.



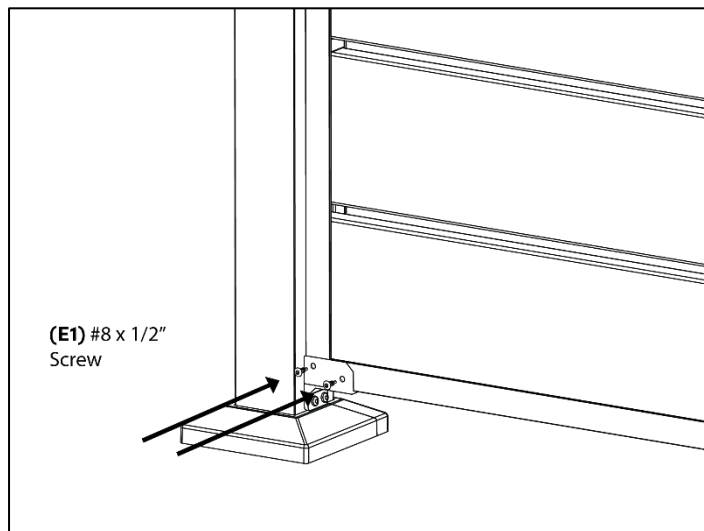
### STEP 4 - Insert Lower Frame Channel

- Set one of the horizontal frame channels (A) into the brackets (C) from Step 1 with the opening of the channel facing up.
- DO NOT ATTACH YET.



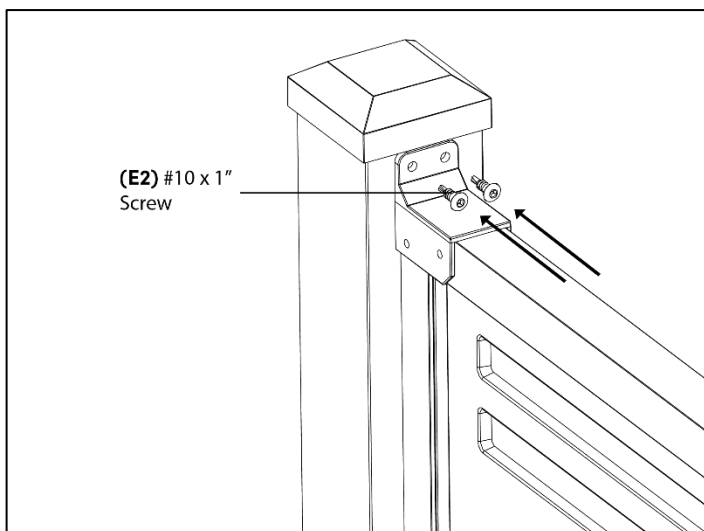
### STEP 5 – Installing Boards

- You must cut each board to 45-3/8" in length.
- Install one 45-3/8" long board by sliding both ends of the board down the frame channels (B).
- If a gap is desired between the boards, install one 1/2" spacer (D) into the vertical frame channels (B) on each side by pushing them into the frame channels (B) and resting on top of the installed board.
- If no gap is desired, install the next board directly on top of the last one.
- If you choose this configuration, you will need to install one extra board (13 total boards).



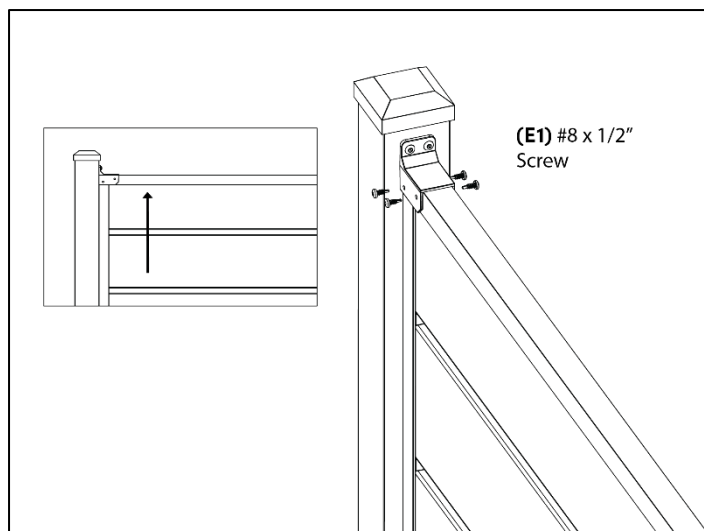
### Step 6 – Attach Lower Bracket Screws

- After all infill sections have been placed, attach the lower brackets to the channel using an 1/8" pilot hole and four #8 x 1/2" screws (E1) through the pre-drilled holes in the brackets.



### STEP 7 – Attach Upper Brackets

- Set the Upper Frame Channel (A) on top of the top board.
- Set Upper Brackets (C) on top of the Vertical Frame Channels (B) and attach using an 1/8" pilot hole and two supplied #10 x 5/8" screws (E2) for each bracket.



### STEP 8 – Attach Upper Horizontal Frame Channel

- Make sure the Top Horizontal Frame Channel (A) is pushed up into the installed Upper Brackets (C) and attach using an 1/8" pilot hole and four #8 x 1/2" screws (E1) through the pre-drilled holes in the brackets.
- NOTE: If posts are splaying outward, to make sure to pull them in so that the posts are level before securing bracket/screws.

---

THE DIAGRAMS AND INSTRUCTIONS IN THIS BROCHURE ARE FOR ILLUSTRATION PURPOSES ONLY AND ARE NOT MEANT TO REPLACE A LICENSED PROFESSIONAL. ANY CONSTRUCTION OR USE OF THE PRODUCT MUST BE IN ACCORDANCE WITH ALL LOCAL ZONING AND/OR BUILDING CODES. THE CONSUMER ASSUMES ALL RISKS AND LIABILITY ASSOCIATED WITH THE CONSTRUCTION OR USE OF THIS PRODUCT. THE CONSUMER OR CONTRACTOR SHOULD TAKE ALL NECESSARY STEPS TO ENSURE THE SAFETY OF EVERYONE INVOLVED IN THE PROJECT, INCLUDING, BUT NOT LIMITED TO, WEARING THE APPROPRIATE SAFETY EQUIPMENT. EXCEPT AS CONTAINED IN THE WRITTEN LIMITED WARRANTY, THE WARRANTOR DOES NOT PROVIDE ANY OTHER WARRANTY, EITHER EXPRESS OR IMPLIED, AND SHALL NOT BE LIABLE FOR ANY DAMAGES, INCLUDING CONSEQUENTIAL DAMAGES.

©2023 UFP Retail Solutions, LLC. Deckorators is a registered trademark of Deckorators, Inc. All rights reserved. 68956 U.S. Highway 131, White Pigeon, MI 49099

[www.Deckorators.com](http://www.Deckorators.com)