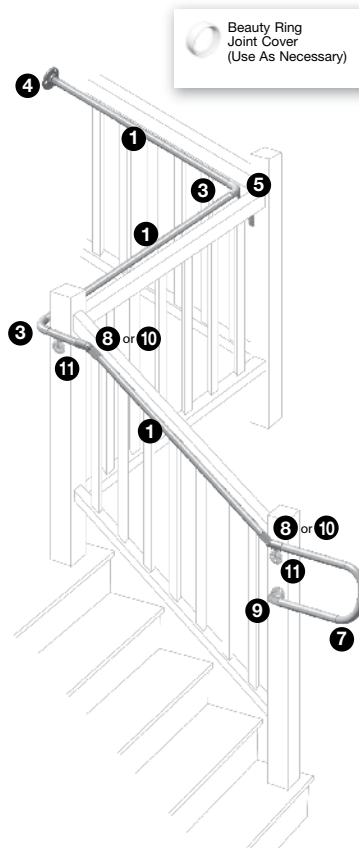


**Items You Will Need**

- Pencil
- Tape Measure
- Level
- #2 Square Drive Bit
- Drill
- Chop/Miter Saw
- Quick Clamps

**Components:**

- 1 ADA Secondary Handrail 95"
- 2 6" Straight Joiner
- 3 4" Inside/Outside Corner
- 4 Straight End Wall Bracket
- 5 Inside Corner Bracket
- 6 End Cap
- 7 P-Loop Return
- 8 6" Adjustable Joiner
- 9 90° Quick Return Bracket
- 10 External Swivel
- 11 Offset Bracket



**Prior to construction, check with your local regulatory agency for special code requirements in your area.**

**Start with an Inside Corner piece when applicable.**

**Guidelines:**

- The height of the secondary handrail must be installed between 34" and 38" above the surface, regardless of the height of the guard.
- We recommend that handrails be dry fit prior to final installation to eliminate cutting and fastening errors.
- **IMPORTANT:** The secondary handrail must be attached to a structural support. When installing mounting brackets on post sleeves, ensure the hardware attaches to the structural support.
- For maximum strength, brackets should be used at every post and every joint, or as closely as possible to the joint.
- An adhesive may be applied to further reinforce construction.
- Handrails must be supported every 6' on-center by a mounting bracket.

**1" self-drilling metal screws and 2-1/4" wood screws are included for attaching brackets. Use the appropriate screws for your application.**

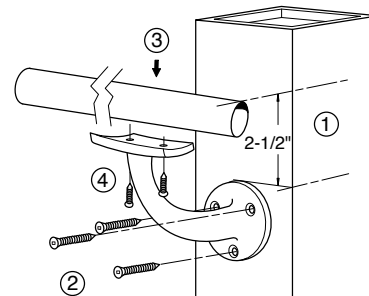
**Offset Bracket (Line Post Mounting Bracket)**

**Step 1:** Measure 2-1/2" less than the handrail height to determine bracket position. Mark surface.

**Step 2:** Align the top of the bracket mounting plate with the mark made in Step 1. Drill 5/32" pilot holes and attach to the desired surface using the appropriate screws.

**Step 3:** Clamp handrail to bracket at appropriate location to secure in place.

**Step 4:** Drill 5/32" pilot holes and attach handrail using the 1" screws provided.



End Caps optional

**Handrail**

**Step 1:** Dry fit handrails to determine proper lengths prior to cutting rails.

**Step 2:** Measure and cut rails to proper lengths for all runs.

**Step 3:** Install to handrail component, following instructions for the components.

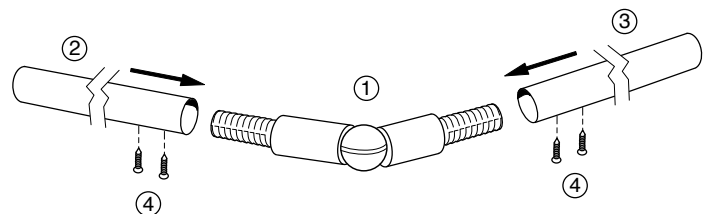
**External Swivel**

**Step 1:** Adjust external swivel to desired angle and install set screw.

**Step 2:** Cut handrail to desired length.

**Step 3:** Insert external swivel bracket into the handrail.

**Step 4:** Pre-drill handrail and bracket with 5/32" drill bit and install 1" screw provided.

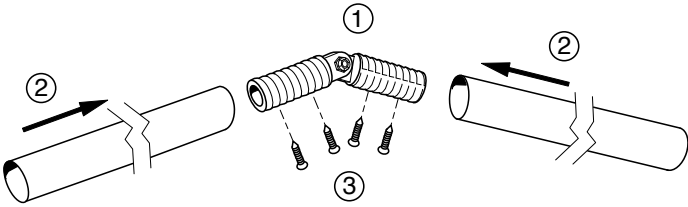


### Adjustable Joiner

**Step 1:** Measure the angle needed. Adjoin the two joiner halves together by inserting the bolt. Place the joiner halves at the desired angle, and tighten bolt to set.

**Step 2:** Cut handrails at 1/2 the desired angle. Slide handrails onto adjustable joiner.

**Step 3:** Drill 5/32" pilot holes and fasten handrails together using 1" screws.

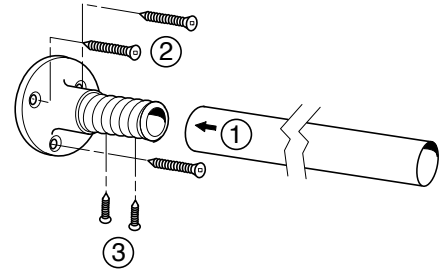


### Straight Aluminum Wall Mount

**Step 1:** Slide aluminum wall mount into handrail.

**Step 2:** Drill 5/32" pilot holes into desired surface and attach wall mount using the appropriate screws.

**Step 3:** Drill 5/32" pilot holes into handrail and attach using 1" screws provided.

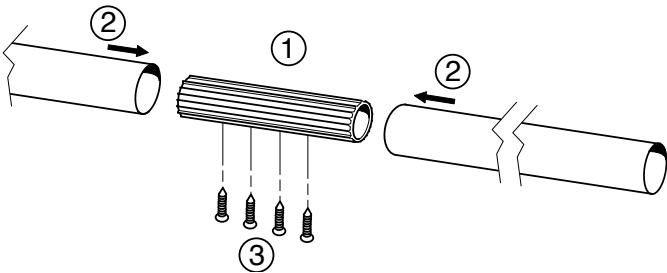


### Aluminum Joiner Kit

**Step 1:** Use aluminum joiner to fasten handrail components at straight joints.

**Step 2:** Slide joiner an equal distance into both components. Drill 5/32" pilot holes and fasten using 1" screws provided.

*Note: All joiners should be supported by an aluminum bracket as closely as possible to the joint.*



### P-Loop Return

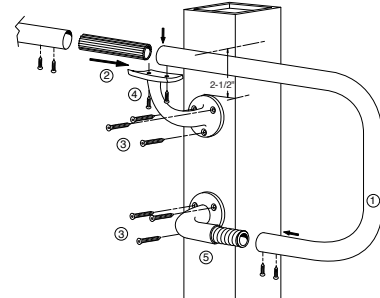
**Step 1:** Attach top bracket at desired location using appropriate connectors.

**Step 2:** Cut P-Loop to desired length.

**Step 3:** Connect P-Loop to secondary handrail tube using the appropriate joiners (Straight, Adjustable joiners or External swivel).

**Step 4:** Set P-Loop on top of bracket and pre drill with drill bit and install 1" screw provided.

**Step 5:** Install desired lower bracket.

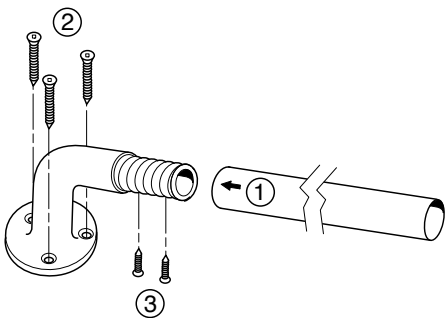


### 90° Post Return

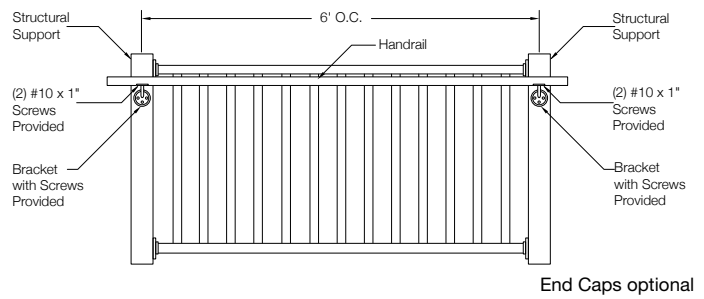
**Step 1:** Slide 90° post return into handrail.

**Step 2:** Drill 5/32" pilot holes into the desired surface and attach post return using the appropriate screws.

**Step 3:** Drill 5/32" pilot holes into handrail and attach using 1" screws provided.



This handrail configuration has been tested and meets the requirements of 2009 IRC.



Deckorators, Inc.  
68956 US Hwy 131  
White Pigeon MI 49099

[www.deckorators.com](http://www.deckorators.com)

The diagrams and instructions in this brochure are for illustration purposes only and are not meant to replace a licensed professional. Any construction or use of the product must be in accordance with all local zoning and/or building codes. The consumer assumes all risks and liability associated with the construction or use of this product. The consumer or contractor should take all necessary steps to ensure the safety of everyone involved in the project, including, but not limited to, wearing the appropriate safety equipment. Seller makes no warranty for this product, either express or implied. Seller expressly disclaims any and all liability for damages arising out of the use or ownership of the product, including disclaiming incidental and consequential damages, unless otherwise required by state law.