



DECK BOARD MOUNTING BRACKET INSTALLATION INSTRUCTIONS

Tools and items needed

- Drill/power screwdriver
- Miter or circular saw
- Assorted fasteners (included)
- Level
- Pencil
- Tape measure
- Safety glasses/goggles

Contents

- 6 - Deck Board Mounting Brackets
- 12 - #8 x 1" Flat Head Screws
- 12 - #8 x 3/4" Rounded Head Screws

The Deck Board Mounting Bracket can be installed on any DecoRators railing system.

Over-the-post installation

Step 1 Assemble the rail section according to the railing installation instructions.

Step 2 Refer to fig. 2 to determine the orientation of your Deck Board Mounting Bracket. Setting the turned ends up will create a greater gap between the rail and the rail cap board to accommodate thicker brackets. Setting the turned ends down will reduce the gap. Once determined, install one Deck Board Connector at each end of the rail section, 2" from the post. Center the connector across the top of the rail with the desired side face up.

Step 3 Predrill through the two center holes in the mounting bracket using a drill bit (1/8" into aluminum, 7/64" into wood or composite). Screw the mounting brackets to the top of the rail using (2) of the #8 x 1" Flathead Screw. *Note: On some railing systems, the underside or the end cuts of the cap board may need to be routed or modified to fit the railing brackets.*

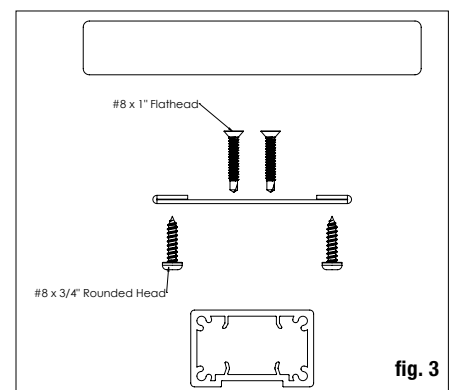
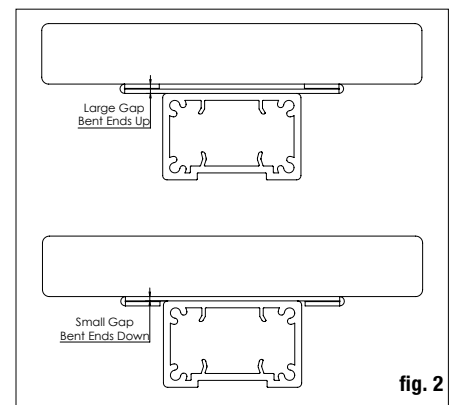
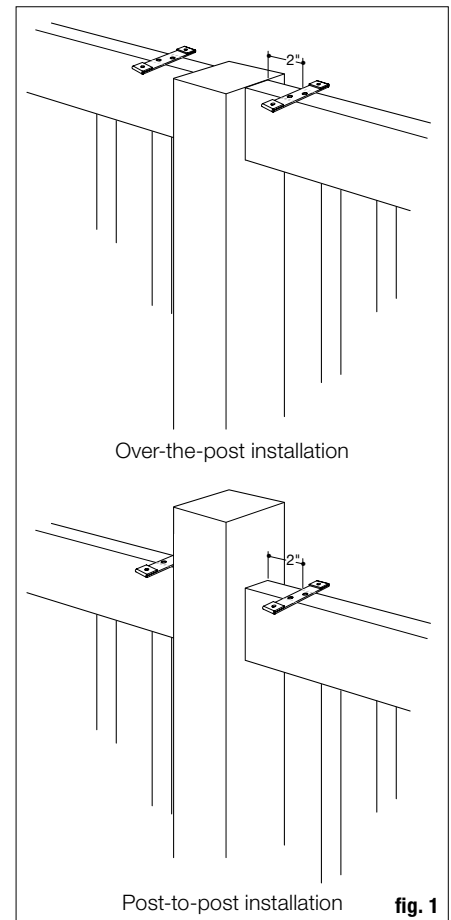
Step 4 Position the remaining 4 mounting brackets at equal intervals along the top of the rail and repeat the process. With longer rail sections, more brackets will be required (24" spacing maximum).

Step 5 Join together two in-line cap rail sections with 22.5-degree scarf joints (fig. 2) and 45-degree miter joints at the corners (fig. 3). Assure that the joints occur on top of the posts. **Important: Make sure the cap rails are centered over the posts so the top edge of the post is not exposed.** *Note: For rail sections meeting at angles other than 90 degrees, make sure the posts are set at the correct angle so the cap rail miter will cover the top of the post.*

Step 6 Once the mounting brackets are in place on the rail, secure the deck board by predrilling with a 7/64" drill bit from underneath the cap rail, through the holes in the mounting bracket. Secure the mounting bracket to the deck board using the #8 x 3/4" Rounded Head Screws (included).

Post-to-post installation

Note: We recommend using posts wider than the deck board cap rail to conceal cut ends.



Post-to-post installation, cont.

Step 1 Assemble the rail section according to the railing installation instructions.

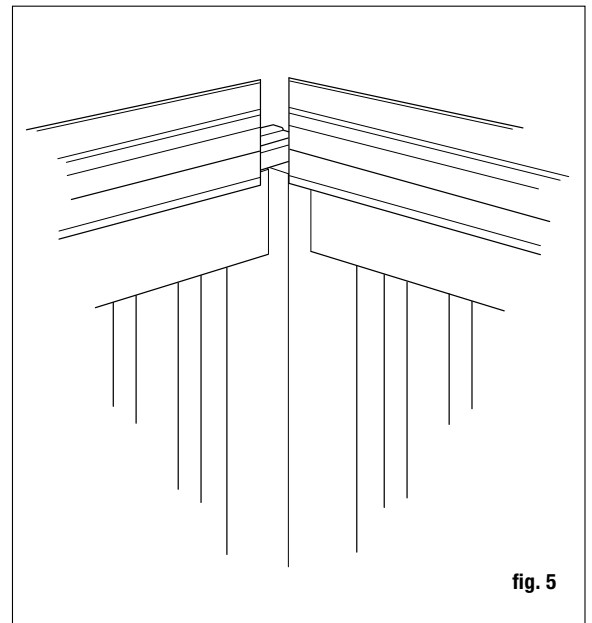
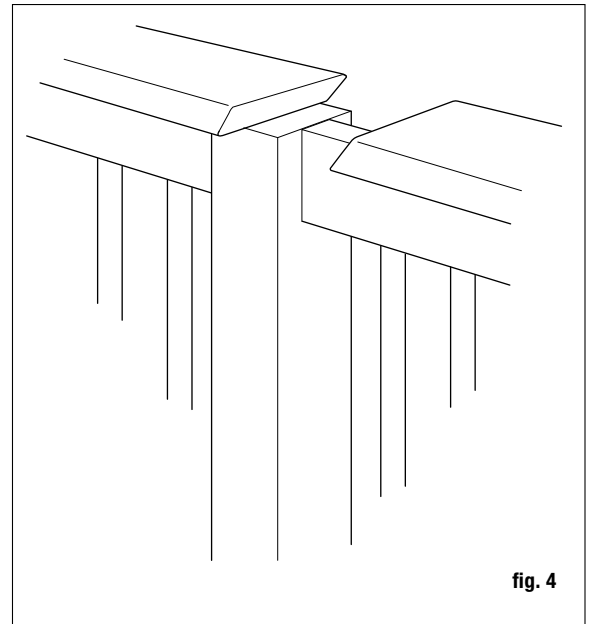
Step 2 Refer to fig. 2 to determine the orientation of your Deck Board Mounting Bracket. Setting the turned ends up will create a greater gap between the rail and the rail cap board to accommodate thicker brackets. Setting the turned ends down will reduce the gap. Once determined, install one Deck Board Connector at each end of the rail section, 2" from the post. Center the connector across the top of the rail with the desired side face up.

Step 3 Predrill through the two center holes in the mounting bracket using a drill bit (1/8" into aluminum, 7/64" into wood or composite). Screw the mounting brackets to the top of the rail using (2) of the #8 x 1" Flathead Screw. Position the remaining 4 mounting brackets at equal intervals along the top of the rail and repeat the process. With longer rail sections, more brackets will be required (24" spacing maximum).

Step 4 Measure the distance along the top rail between the installed posts.

Step 5 Cut the cap rail to this measurement. *Note: On some railing systems, the underside or the end cuts of the cap board may need to be routed or modified to fit the railing brackets.*

Step 6 Once the mounting brackets are in place on the rail, secure the deck board by predrilling with a 7/64" drill bit from underneath the cap rail, through the holes in the mounting bracket. Secure the mounting bracket to the deck board using the #8 x 3/4" Rounded head Screws (included).



THE DIAGRAMS AND INSTRUCTIONS IN THIS BROCHURE ARE FOR ILLUSTRATION PURPOSES ONLY AND ARE NOT MEANT TO REPLACE A LICENSED PROFESSIONAL. ANY CONSTRUCTION OR USE OF THE PRODUCT MUST BE IN ACCORDANCE WITH ALL LOCAL ZONING AND/OR BUILDING CODES. THE CONSUMER ASSUMES ALL RISKS AND LIABILITY ASSOCIATED WITH THE CONSTRUCTION OR USE OF THIS PRODUCT. THE CONSUMER OR CONTRACTOR SHOULD TAKE ALL NECESSARY STEPS TO ENSURE THE SAFETY OF EVERYONE INVOLVED IN THE PROJECT, INCLUDING, BUT NOT LIMITED TO, WEARING THE APPROPRIATE SAFETY EQUIPMENT. EXCEPT AS CONTAINED IN THE WRITTEN LIMITED WARRANTY, THE WARRANTOR DOES NOT PROVIDE ANY OTHER WARRANTY, EITHER EXPRESS OR IMPLIED, AND SHALL NOT BE LIABLE FOR ANY DAMAGES, INCLUDING CONSEQUENTIAL DAMAGES.