

Tools and Items Needed

- Drill/power screwdriver
- 1/8" drill bit
- Circular saw with carbide-tip blade
- 2 1/2" composite wood deck screws
- Tape measure
- Carpenter's pencil
- Safety glasses/goggles
- **Notice to installers**
- DO NOT use cordless impact drivers
- Set drill speed to 1500-1750 RPM
- Max torque not to exceed 23 inch pounds
- Pre-drill knots or dense hardwood

Each Deckorators® Vista™, Heritage™, Vault™ and Voyage™ board has a unique appearance and should be arranged according to the end user's preference. Prior to construction, check with your local regulatory agency for special code requirements in your area. For best results, follow these simple installation instructions, paying close attention to gapping, spacing and fastener requirements.

Joist Span

16" on-center for residential perpendicular applications. Residential parquet patterns and diagonal or herringbone designs all require joist spacing 12" on-center. Contact Deckorators product support at 800-332-5724 for commercial applications. Use 1/4" for side gapping.

End-to-End Spacing

Allow a minimum of 1/16" gap between board ends for every 20°F of difference between installation temperature and the hottest temperature expected (fig. 1). Additional blocking may be needed for support (fig. 2). Allow 1/4" distance between all decking material and any permanent structure or post. After all decking has been attached, snap a chalk line (white or yellow chalk recommended) flush with or up to 1-1/2" out from the deck framing and trim with a circular saw. Deckorators decking, like all wood and composite decking products, requires proper ventilation and drainage in order to ensure its longevity. When using a minimum 2x6 joist standing on edge, with the suggested 1/4" side gap, there should be a 2" clear space between the bottom edge of the joists and grade to allow for proper ventilation. Adequate drainage is also needed to prevent water from pooling under the deck.

NOTE: ONLY Deckorators Voyage, Vault and Frontier deck material, manufactured with Eovations™ technology, may be installed in contact with the ground or incidental submersion in water when a project design requires those conditions.

Fasteners

For a list of recommended and compatible fasteners please visit www.Deckorators.com/FastenerInfo. Recommended fasteners are those which are recommended by the manufacturer of Deckorators Decking. Compatible fasteners are those which have been tested and recommended for use with Deckorators Decking by the fastener manufacturer. The use of a non-recommended fastener will not void the Deckorators Decking Warranty; however if a decking failure is caused by the use of a non-recommended fastener, any corresponding warranty claim will be denied.

For ease of installation, we recommend using 2-1/2" corrosion-resistant, composite wood deck screws. These screws help minimize the common "mushroom" effect that sometimes occurs when using standard fasteners. They can also reduce the amount of pre-drilling and countersinking. If using ordinary coarse thread deck screws, always pre-drill a pilot hole and countersink prior to driving screws.

(B) Product Sticker

(A) End Tag



Deckorators

Storage
Store prior to installation to preserve water stain.

Installation
• Allow a minimum 1/16" gap between board ends for every 20°F of difference between installation temperature and the hottest temperature expected in the region.
• Snap all decking material 1/8" away from any permanent structure or post.
• Use corrosion-resistant, coated composite decking screws to install "Deckorators" solid decking.
• Do not use impact drivers.

Joint Spacing
• Use a circular saw to cut decking perpendicular to the joist.
• Allow a minimum 1/16" gap between board ends for every 20°F of difference between installation temperature and the hottest temperature expected in the region.
• Use Deckorators.com for complete installation instructions, including what you need to know about fasteners.
• Deckorators.com for complete installation instructions, including what you need to know about fasteners.

Remangement
• Consult your installation plan for preferred layout.

Installation
• Treat the joists before they are installed. Use a wood preservative on all joists. Check the joist for rot and insect damage. Clean the joist of any debris.
• Snap the decking material 1/8" away from any permanent structure or post.
• Use a circular saw to cut decking perpendicular to the joist.
• Allow a minimum 1/16" gap between board ends for every 20°F of difference between installation temperature and the hottest temperature expected in the region.
• Use Deckorators.com for complete installation instructions, including what you need to know about fasteners.

Espacement des solives
• Traitez les planches avant leur installation. Utilisez un produit de préservation sur toutes les planches. Vérifiez les planches pour la présence de pourriture et d'insectes. Nettoyez les planches de tout débris.
• Snap the decking material 1/8" away from any permanent structure or post.
• Use a circular saw to cut decking perpendicular to the joist.
• Allow a minimum 1/16" gap between board ends for every 20°F of difference between installation temperature and the hottest temperature expected in the region.
• Use Deckorators.com for complete installation instructions, including what you need to know about fasteners.

Almacenamiento
• Guardar antes de la instalación para evitar manchas por agua.

Instalación
• Tratar las juntas antes de instalarlas. Utilice un producto de preservación en todas las juntas. Compruebe las juntas por pudrición e insectos. Limpie las juntas de cualquier residuo.
• Snap the decking material 1/8" away from any permanent structure or post.
• Use a circular saw to cut decking perpendicular to the joist.
• Allow a minimum 1/16" gap between board ends for every 20°F of difference between installation temperature and the hottest temperature expected in the region.
• Use Deckorators.com for complete installation instructions, including what you need to know about fasteners.

Espaciado de las vigas
• Tratar las vigas antes de instalarlas. Utilice un producto de preservación en todas las vigas. Compruebe las vigas por pudrición e insectos. Limpie las vigas de cualquier residuo.
• Snap the decking material 1/8" away from any permanent structure or post.
• Use a circular saw to cut decking perpendicular to the joist.
• Allow a minimum 1/16" gap between board ends for every 20°F of difference between installation temperature and the hottest temperature expected in the region.
• Use Deckorators.com for complete installation instructions, including what you need to know about fasteners.

USA

Note: Always follow best workmanship practices. Including, and not limited to, square cutting both board ends prior to installation.

Board-End to Board-End Gapping Requirements												
Warmest annual temperature °F expected in region												
Temperature °F on day of installation	°F	20	30	40	50	60	70	80	90	100	110	120
	20	1/8	1/8	1/8	1/8	1/8	3/16	3/16	1/4	1/4	5/16	5/16
	30		1/8	1/8	1/8	1/8	1/8	3/16	3/16	1/4	1/4	5/16
	40			1/8	1/8	1/8	1/8	1/8	3/16	3/16	1/4	1/4
	50				1/8	1/8	1/8	1/8	3/16	3/16	1/4	
	60					1/8	1/8	1/8	1/8	3/16	3/16	
	70						1/8	1/8	1/8	1/8	3/16	
	80							1/8	1/8	1/8	1/8	
	90								1/8	1/8	1/8	
	100									1/8	1/8	
	110										1/8	
	120											1/8

Note: Cutting all ends of boards prior to installation recommended.

fig. 1

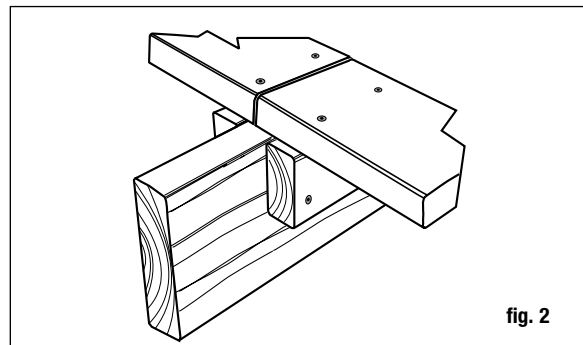


fig. 2

Pre-drill and countersink all deck screws, regardless of type, that are within 1-1/2" of the end of the deck board.

Screws should be driven flush with the Deckorators decking surface. Do not over-tighten. Use two fasteners per deck board at each joist. For any decking where two boards meet end-to-end over a joist, add additional blocking (fig. 2). Always pre-drill a pilot hole and countersink at board ends when using either composite or wood screws. Be careful not to over-tighten screws near board ends.

Please refer to ESR- 1573 for stringer spacing when deck boards are used as stair treads.

Color Variation

Like most composites, Deckorators Decking will have color variations from piece to piece. This is due to naturally occurring variations in wood fibers and polymers. Purchasing all required decking material at one time is recommended, as manufacturing runs can produce slightly different colors. Do not install if color variation is not acceptable.

Preventing Mold and Mildew Growth

Mold and mildew can be a nuisance on any exterior building surface, regardless of the material. If the conditions are right, they will grow on wood, plastic, concrete, metal and other surfaces. Mold formation is most prevalent in consistently wet, shaded areas. Spores from the natural environment are carried by the wind and commonly land on decks surfaces. It is important to note that the appearance of mold/mildew is a function of nature, not necessarily a deficiency with any of the material on which it grows.

Cleaning

Periodic washing with soap/mild detergent and water will help remove surface dirt. This will also help prevent the buildup of pollen, debris and spores that can cause and accelerate mold/mildew growth. *Caution: A pressure washer should not be used to "blast" mold/mildew or soils from a deck surface. The abrasive nature of the water stream can potentially cause damage by driving the spores deeper into the material, which may create a more challenging problem to remedy. A pressure washer with a fan-tipped nozzle should be used only to lightly wet or rinse wood or composite deck surfaces.*

There are many deck wash and exterior cleaning products available at retail. It is important to make sure you use a cleaner specifically intended for your application. After selecting a product, be certain to read, understand and follow all instructions supplied by the manufacturer. Some cleaning products and inhibitors may be more effective than others, depending on the environmental conditions your deck is subjected to. Additionally, it is always a good idea to test the cleaner in a small, inconspicuous area prior to applying it to the entire deck (www.deckorators.com).

Tips for snow removal: Care should be taken when removing snow from your deck to avoid damaging the deck surface. Use a plastic snow shovel, one without a metal edge. A stiff push broom can work very well and minimizes lifting. Light snow can be cleared using a leaf blower. Do not attempt to break up or scrape ice from the deck surface; use ice melt products when needed. No concerns have been reported using ice melt products labeled "Safe for Pets".

Mold Inhibitors

As with deck washes, there are several mold-inhibitor products available from paint stores, hardware stores, online outlets and home centers to help prevent long-term mold/mildew growth. For any product selected, be certain to read, understand and follow all instructions provided by the manufacturer. Depending upon the environmental factors affecting your deck, some preventive cleaning products may be more effective than others. It may be necessary to try more than one product. For ongoing preventive maintenance, follow the manufacturer's recommendation.

Note: Deckorators is not suitable for structural use. It should not be used for primary load-bearing members such as posts, joists, beams or stringers. The same common-sense precautions should be taken when handling Deckorators as with wood or other building materials. Dust masks and eye protection devices are recommended to avoid possible irritation from sawdust and chips. Gloves will help protect hands. Hands should be washed after construction work.

THE DIAGRAMS AND INSTRUCTIONS IN THIS BROCHURE ARE FOR ILLUSTRATION PURPOSES ONLY AND ARE NOT MEANT TO REPLACE A LICENSED PROFESSIONAL. ANY CONSTRUCTION OR USE OF THE PRODUCT MUST BE IN ACCORDANCE WITH ALL LOCAL ZONING AND/OR BUILDING CODES. THE CONSUMER ASSUMES ALL RISKS AND LIABILITY ASSOCIATED WITH THE CONSTRUCTION OR USE OF THIS PRODUCT. THE CONSUMER OR CONTRACTOR SHOULD TAKE ALL NECESSARY STEPS TO ENSURE THE SAFETY OF EVERYONE INVOLVED IN THE PROJECT, INCLUDING, BUT NOT LIMITED TO, WEARING THE APPROPRIATE SAFETY EQUIPMENT. EXCEPT AS CONTAINED IN THE WRITTEN LIMITED WARRANTY, THE WARRANTOR DOES NOT PROVIDE ANY OTHER WARRANTY, EITHER EXPRESS OR IMPLIED, AND SHALL NOT BE LIABLE FOR ANY DAMAGES, INCLUDING CONSEQUENTIAL DAMAGES.