

## Tools and Items Needed

- Drill/power screwdriver
- 1/8" drill bit
- Circular saw with carbide-tip blade
- 2 1/2" composite wood deck screws
- Tape measure
- Carpenter's pencil
- Safety glasses/goggles
- **Notice to installers**
- DO NOT use cordless impact drivers
- Set drill speed to 1500-1750 RPM
- Max torque not to exceed 23 inch pounds
- Pre-drill knots or dense hardwood

Each Deckorators Vista and Heritage board has a unique appearance and should be arranged according to the end user's preference. Prior to construction, check with your local regulatory agency for special code requirements in your area. For best results, follow these simple installation instructions, paying close attention to gapping, spacing and fastener requirements.

## Joist Span

16" on-center for residential perpendicular applications. Residential parquet patterns and diagonal or herringbone designs all require joist spacing 12" on-center. Contact Deckorators product support at 800-332-5724 for commercial applications. Use 1/4" for side gapping.

## End-to-End Spacing

Allow a minimum of 1/16" gap between board ends for every 20°F of difference between installation temperature and the hottest temperature expected (fig. 1). Additional blocking may be needed for support (fig. 2). Allow 1/4" distance between all decking material and any permanent structure or post. After all decking has been attached, snap a chalk line (white or yellow chalk recommended) flush with or up to 1-1/2" out from the deck framing and trim with a circular saw. Deckorators decking, like all wood and composite decking products, requires proper ventilation and drainage in order to ensure its longevity. When using a minimum 2x6 joist standing on edge, with the suggested 1/4" side gap, there should be a 2" clear space between the bottom edge of the joists and grade to allow for proper ventilation. Adequate drainage is also needed to prevent water from pooling under the deck.

NOTE: ONLY Deckorators Frontier and Vault deck material, manufactured with Eovations™ technology, may be installed in contact with the ground or incidental submersion in water when a project design requires those conditions.

## Fasteners

For a list of recommended and compatible fasteners please visit [www.Deckorators.com/FastenerInfo](http://www.Deckorators.com/FastenerInfo). Recommended fasteners are those which are recommended by the manufacturer of Deckorators Decking. Compatible fasteners are those which have been tested and recommended for use with Deckorators Decking by the fastener manufacturer. The use of a non-recommended fastener will not void the Deckorators Decking Warranty; however if a decking failure is caused by the use of a non-recommended fastener, any corresponding warranty claim will be denied.

For ease of installation, we recommend using 2-1/2" corrosion-resistant, composite wood deck screws. These screws help minimize the common "mushroom" effect that sometimes occurs when using standard fasteners. They can also reduce the amount of pre-drilling and countersinking. If using ordinary coarse thread deck screws, always pre-drill a pilot hole and countersink prior to driving screws.

## (B) Product Sticker

## (A) End Tag



**Deckorators**

**Storage**  
Store prior to installation to preserve water stain.

**Installation**  
Deckorators must be spaced properly to allow for expansion and contraction. Refer to complete installation instructions for details.  
• Snap all decking material 1/8" away from any permanent structure or post.  
• Use corrosion-resistant, coated composite decking screws to secure "EndTag" and fasteners.  
• Use Deckorators.com for complete installation instructions, including what you will receive (EndTag, Screws, and a Measure of Mounting Hardware, etc.) and a Deckorators logo for your business.

**Joint Spacing**  
• Use a spacer to maintain perpendicular to the joist.  
• Snap an "EndTag" to maintain alignment of the joint.  
• Snap the "EndTag" 1/8" from the next support deck.  
• Use Deckorators.com for complete installation instructions, including what you will receive (EndTag, Screws, and a Measure of Mounting Hardware, etc.) and a Deckorators logo for your business.

**Remangement**  
Ces informations d'installation pour prévenir les dommages.

**Installation**  
• Toutes les planches doivent être espacées correctement pour permettre le dilatation et la contraction des planches. Consultez les documents "d'installation" complètes pour obtenir les détails.  
• Écartez tout le matériau de l'assemblage de 1/8" (2,5 mm) de tout structure permanente ou de tout poteau.  
• Utilisez des vis à tête creuse pour vis à tête creuse à corrosion résistante, revêtement à couche pour protéger contre l'humidité et la décoloration possible de la tige.  
• Utilisez Deckorators.com pour les instructions complètes, y compris ce que vous recevrez (EndTag, vis et un mesureur de montage matériel, etc.) et un logo Deckorators pour votre entreprise.

**Espacement des solives**  
• Utilisez un espaceur pour maintenir la planche perpendiculaire à la poutre.  
• Snap un "EndTag" pour maintenir l'alignement de la jointure.  
• Snap le "EndTag" 1/8" de la prochaine poutre.  
• Utilisez Deckorators.com pour les instructions complètes, y compris ce que vous recevrez (EndTag, vis et un mesureur de montage matériel, etc.) et un logo Deckorators pour votre entreprise.

**Almacenamiento**  
• Guardar antes de la instalación para evitar manchas por agua.

**Instalación**  
• Todas las tablas deben distribuirse de forma adecuada para permitir la expansión y la contracción. Consulte los documentos de instalación para la instalación completa para obtener los detalles.  
• Separe todo el material de cualquier estructura permanente o poste.  
• Use tornillos de cabeza hueca para tornillos de cabeza hueca a prueba de corrosión, recubrimiento en capas para proteger contra la humedad y la decoloración posible de la tija.  
• Use Deckorators.com para las instrucciones completas, incluyendo lo que recibirá (EndTag, tornillos y un medidor de montaje de hardware, etc.) y un logotipo Deckorators para su negocio.

**Espaciado de las vigas**  
• Use un espaciador para mantener la plancha perpendicular a la viga.  
• Snap un "EndTag" 1/8" de la siguiente poutre.  
• Use Deckorators.com para las instrucciones completas, incluyendo lo que recibirá (EndTag, tornillos y un medidor de montaje de hardware, etc.) y un logotipo Deckorators para su negocio.

© 2014 Deckorators LLC. All rights reserved. Deckorators, the Deckorators logo and "Go Beyond Ordinary" are trademarks of Deckorators LLC. "EndTag" is a registered trademark of Deckorators LLC. "USA" is a registered trademark of Deckorators LLC.

Note: Always follow best workmanship practices. Including, and not limited to, square cutting both board ends prior to installation.

Board-End to Board-End Gapping Requirements													
Warmest annual temperature °F expected in region													
Temperature °F on day of installation	°F	20	30	40	50	60	70	80	90	100	110	120	
	20	1/8	1/8	1/8	1/8	1/8	3/16	3/16	1/4	1/4	5/16	5/16	
	30		1/8	1/8	1/8	1/8	1/8	3/16	3/16	1/4	1/4	5/16	
	40			1/8	1/8	1/8	1/8	1/8	3/16	3/16	1/4	1/4	
	50				1/8	1/8	1/8	1/8	3/16	3/16	1/4	1/4	
	60					1/8	1/8	1/8	1/8	3/16	3/16	1/4	
	70						1/8	1/8	1/8	1/8	1/8	3/16	
	80							1/8	1/8	1/8	1/8	1/8	
	90								1/8	1/8	1/8	1/8	
	100									1/8	1/8	1/8	
	110										1/8	1/8	
	120											1/8	

Note: Cutting all ends of boards prior to installation recommended.

fig. 1

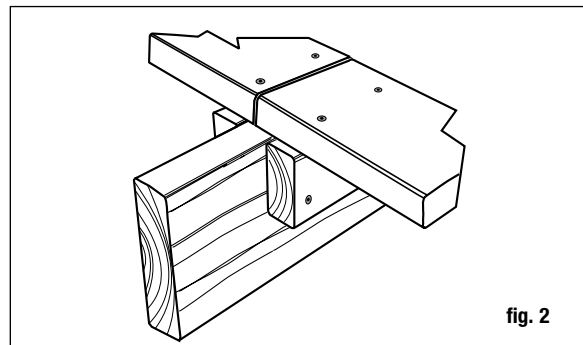


fig. 2

Pre-drill and countersink all deck screws, regardless of type, that are within 1-1/2" of the end of the deck board.

Screws should be driven flush with the Deckorators decking surface. Do not over-tighten. Use two fasteners per deck board at each joist. For any decking where two boards meet end-to-end over a joist, add additional blocking (fig. 2). Always pre-drill a pilot hole and countersink at board ends when using either composite or wood screws. Be careful not to over-tighten screws near board ends.

Please refer to ESR- 1573 for stringer spacing when deck boards are used as stair treads.

### Color Variation

Like most composites, Deckorators Decking will have color variations from piece to piece. This is due to naturally occurring variations in wood fibers and polymers. Purchasing all required decking material at one time is recommended, as manufacturing runs can produce slightly different colors. Do not install if color variation is not acceptable.

### Preventing Mold and Mildew Growth

Mold and mildew can be a nuisance on any exterior building surface, regardless of the material. If the conditions are right, they will grow on wood, plastic, concrete, metal and other surfaces. Mold formation is most prevalent in consistently wet, shaded areas. Spores from the natural environment are carried by the wind and commonly land on decks surfaces. It is important to note that the appearance of mold/mildew is a function of nature, not necessarily a deficiency with any of the material on which it grows.

### Cleaning

Periodic washing with soap/mild detergent and water will help remove surface dirt. This will also help prevent the buildup of pollen, debris and spores that can cause and accelerate mold/mildew growth. *Caution: A pressure washer should not be used to "blast" mold/mildew or soils from a deck surface. The abrasive nature of the water stream can potentially cause damage by driving the spores deeper into the material, which may create a more challenging problem to remedy. A pressure washer with a fan-tipped nozzle should be used only to lightly wet or rinse wood or composite deck surfaces.*

There are many deck wash and exterior cleaning products available at retail. It is important to make sure you use a cleaner specifically intended for your application. After selecting a product, be certain to read, understand and follow all instructions supplied by the manufacturer. Some cleaning products and inhibitors may be more effective than others, depending on the environmental conditions your deck is subjected to. Additionally, it is always a good idea to test the cleaner in a small, inconspicuous area prior to applying it to the entire deck ([www.deckorators.com](http://www.deckorators.com)).

### Mold Inhibitors

As with deck washes, there are several mold-inhibitor products available from paint stores, hardware stores, online outlets and home centers to help prevent long-term mold/mildew growth. For any product selected, be certain to read, understand and follow all instructions provided by the manufacturer. Depending upon the environmental factors affecting your deck, some preventive cleaning products may be more effective than others. It may be necessary to try more than one product. For ongoing preventive maintenance, follow the manufacturer's recommendation.

*Note: Deckorators is not suitable for structural use. It should not be used for primary load-bearing members such as posts, joists, beams or stringers. The same common-sense precautions should be taken when handling Deckorators as with wood or other building materials. Dust masks and eye protection devices are recommended to avoid possible irritation from sawdust and chips. Gloves will help protect hands. Hands should be washed after construction work.*

**THE DIAGRAMS AND INSTRUCTIONS IN THIS BROCHURE ARE FOR ILLUSTRATION PURPOSES ONLY AND ARE NOT MEANT TO REPLACE A LICENSED PROFESSIONAL. ANY CONSTRUCTION OR USE OF THE PRODUCT MUST BE IN ACCORDANCE WITH ALL LOCAL ZONING AND/OR BUILDING CODES. THE CONSUMER ASSUMES ALL RISKS AND LIABILITY ASSOCIATED WITH THE CONSTRUCTION OR USE OF THIS PRODUCT. THE CONSUMER OR CONTRACTOR SHOULD TAKE ALL NECESSARY STEPS TO ENSURE THE SAFETY OF EVERYONE INVOLVED IN THE PROJECT, INCLUDING, BUT NOT LIMITED TO, WEARING THE APPROPRIATE SAFETY EQUIPMENT. EXCEPT AS CONTAINED IN THE WRITTEN LIMITED WARRANTY, THE WARRANTOR DOES NOT PROVIDE ANY OTHER WARRANTY, EITHER EXPRESS OR IMPLIED, AND SHALL NOT BE LIABLE FOR ANY DAMAGES, INCLUDING CONSEQUENTIAL DAMAGES.**